

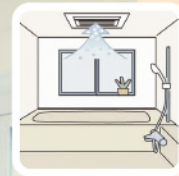


SINCE 1909  
JAPAN

IMPROVING  
THE  
AIR QUALITY

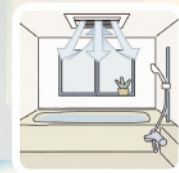
## Thermo Ventilator (Bathroom Dryer)

**30BUC**



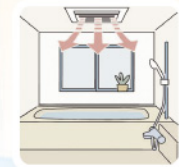
### Ventilation

Exhausts smell & moisture



### Circulation

Provides circulation of air to avoid uncomfortable feeling due to stagnant air



### Heating (Instant Heat)

Let you enjoy warm & better comfort level during bath



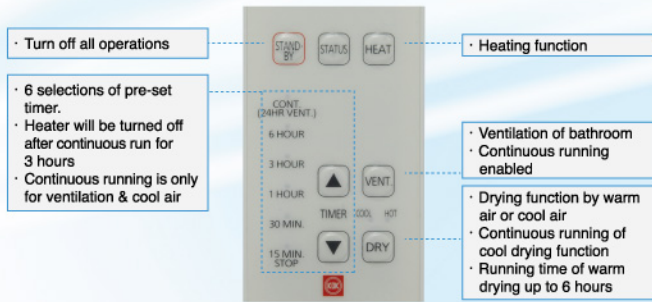
### Clothes Drying

Due to our bathroom dryer – you can now dry clothes in the bathroom

# FEATURE

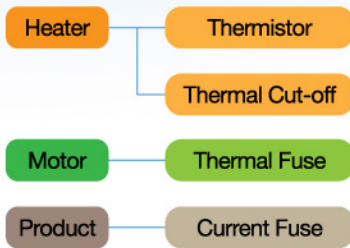
## Remote Control

All functions can be operated through wireless remote control.

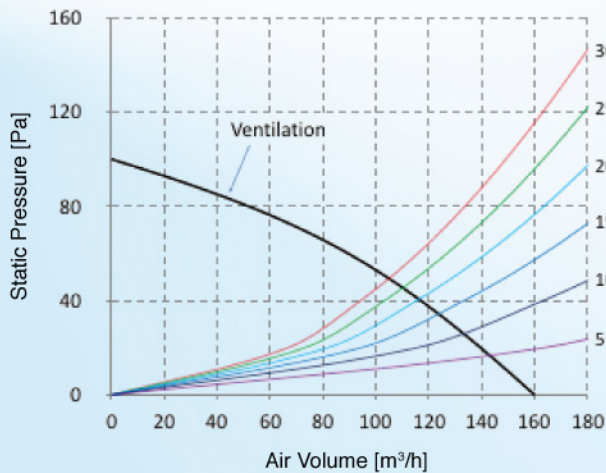


## Safety Protection

Multi-level safety structure protects you and your property from any accidents.



## PQ Curve



## Specification

Ventilation Air Volume [m³/h]	Power Consumption [W]				Noise [dB(A)]				Weight [kg]
	Heat	Vent	Dry Cool	Dry Hot	Heat	Vent	Dry Cool	Dry Hot	
160	1650	24	33	1550	46	39	46	46	5

IP rating: IPX2 Insulation class E

1) Specification are measured as in 0 Pa.  
 2) Noise level is the weighted sound pressure grade A, tolerance range from +3 to -7.  
 3) The noise is the average value measured at 1 m away left, right from and beneath the sample in an anechoic chamber.

## Filter Equipped

Equipped with dust filter that provides clean environment for you.



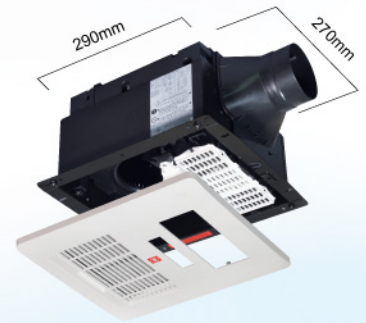
## Easy Installation

- Specially designed compact size allows easy installation with most integrated residential ceiling board.
- Structure is improved for easy wiring as compared with previous model.



## Enhanced Performance

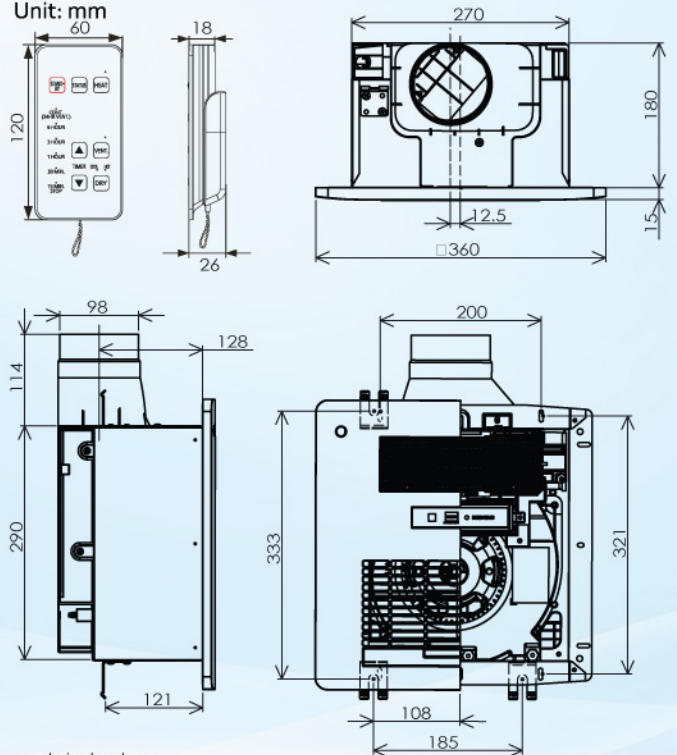
Air volume is increased 6% as compared to previous model.



# PRODUCT SPECIFICATION

## Dimension

Unit: mm



• Actual colors may vary slightly from those shown.  
 • Specifications are subject to change without prior notice.

CATALOG NO: K-BD003B1

PRINTED IN HONG KONG (11.17)



KDK Company, Division of PES  
 4017, Takaki-cho, Kasugai, Aichi, Japan  
<http://kdk.jp>

SINCE 1909  
 JAPAN