



SINCE 1909
JAPAN



blowing from natural
CEILING FAN



KDK Company, Division of PES
4017, Takaki-cho, Kasugai, Aichi, Japan.
URL: <http://kdk.jp>

• Actual colors may vary slightly from those shown.
• Specifications are subject to change without prior notice.

CATALOG NO: K-CF013C1
Printed in Hong Kong 01.18

Nowadays, air conditioning is very popular in modern living; however, ceiling fans are still beneficial for human life. Ceiling fans not only create wide span of airflow for cooling effect, but also help the circulation of cool air generated by air conditioning systems in the room.

By the pursuit of higher quality of life, ceiling fans are expected with more functions and value added features. When you select a ceiling fan, following requirements would be taken into consideration.

Introduction P01

Reliability P02 - 04

Performance P05 - 07

Design P08

Control P08

Product Information

Direct Current Type P09-13

Wireless Remote Control Type ... P14 - 24

Regulator Control Type P25 - 37

Comparison P38

1 RELIABILITY



Safety is a major concern as they are hanged overhead. KDK ceiling fans adopt various prevention mechanisms to secure a safe operation for the fans. For instance, 'safety wire' prevents the fan from falling off while 'fall prevention hook' secure the fan blade from dropping.

2 PERFORMANCE



People prefer to have comfortable air delivery with quiet operation when they choose ceiling fan. With special features - 1/f Yuragi function and sleep mode, our KDK ceiling fan can produce wonderful breeze for your comfort.

3 DESIGN



Design is one of the most important factors in your decision of the purchase, since ceiling fans are often equipped to be harmonized with existing décor. The contemporary design and graceful color of KDK ceiling fans match your interior perfectly and provide a new fresh look to your house.

4 CONTROL

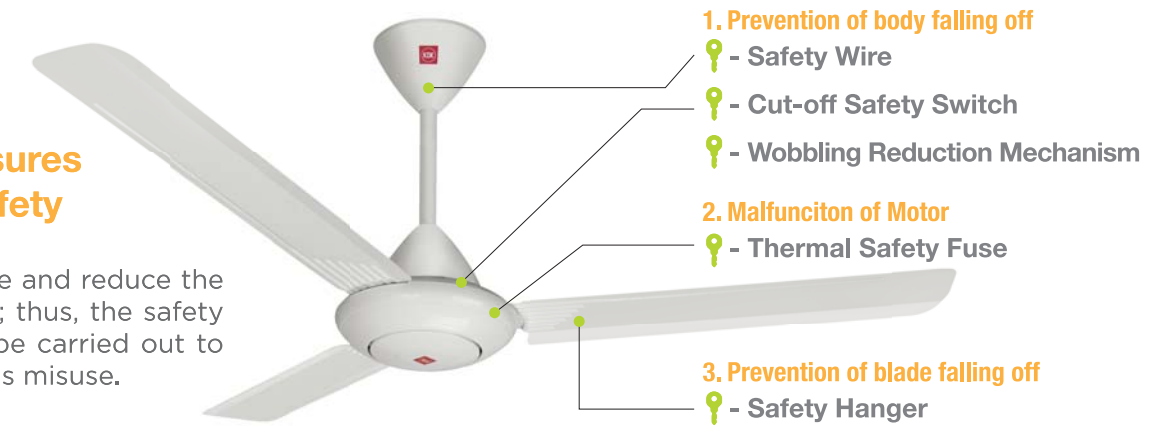


It allows users to control the operations of ceiling fan remotely by wired regulator or wireless remote controlled hand-held unit. The compact design of wired regulator fits the modern style in your house. The wireless remote controller can control not only on/off and fan speed, but also pre-set timer function for maximum convenience.

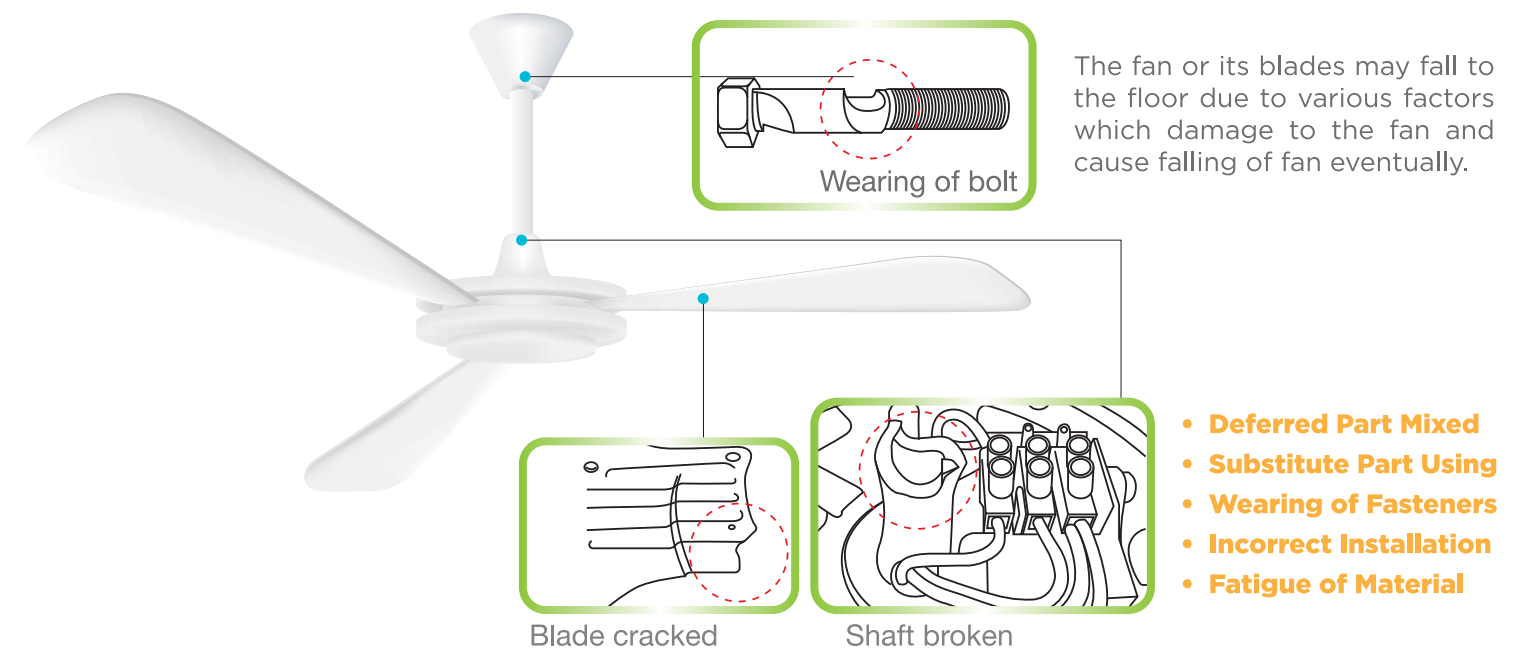
Safety Policy By KDK

Preventive Measures For Premium Safety

Our aim is to minimize and reduce the accidents happended; thus, the safety policy by KDK must be carried out to prevent any dangerous misuse.



Potential Safety Problems

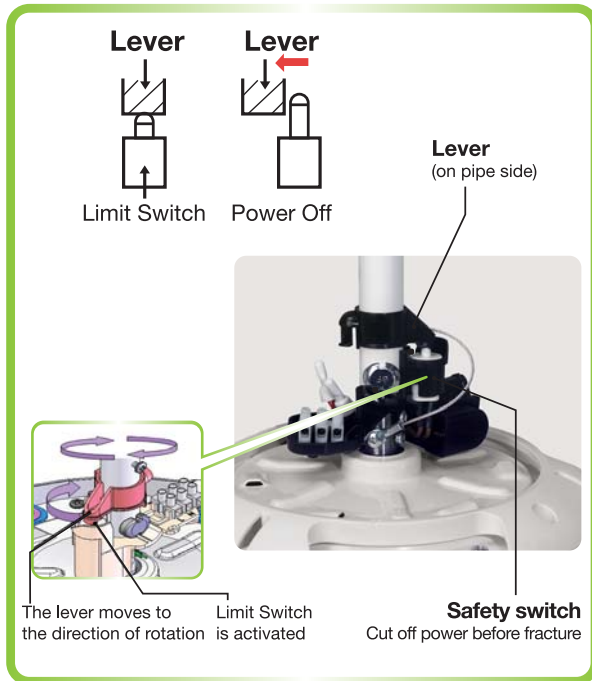




A New Dimension of Protection Secure Your Safety Wholly

Cut-off Safety Switch

- Patents registration in Japan, The United States, China, Malaysia and Vietnam.



Problem

In case there is any wear at either the shaft or the bolt, abnormal wobbling of fan will occur as it runs. The wear will be further enlarged if the fan continues to operate, and the part or fastener will broken eventually.

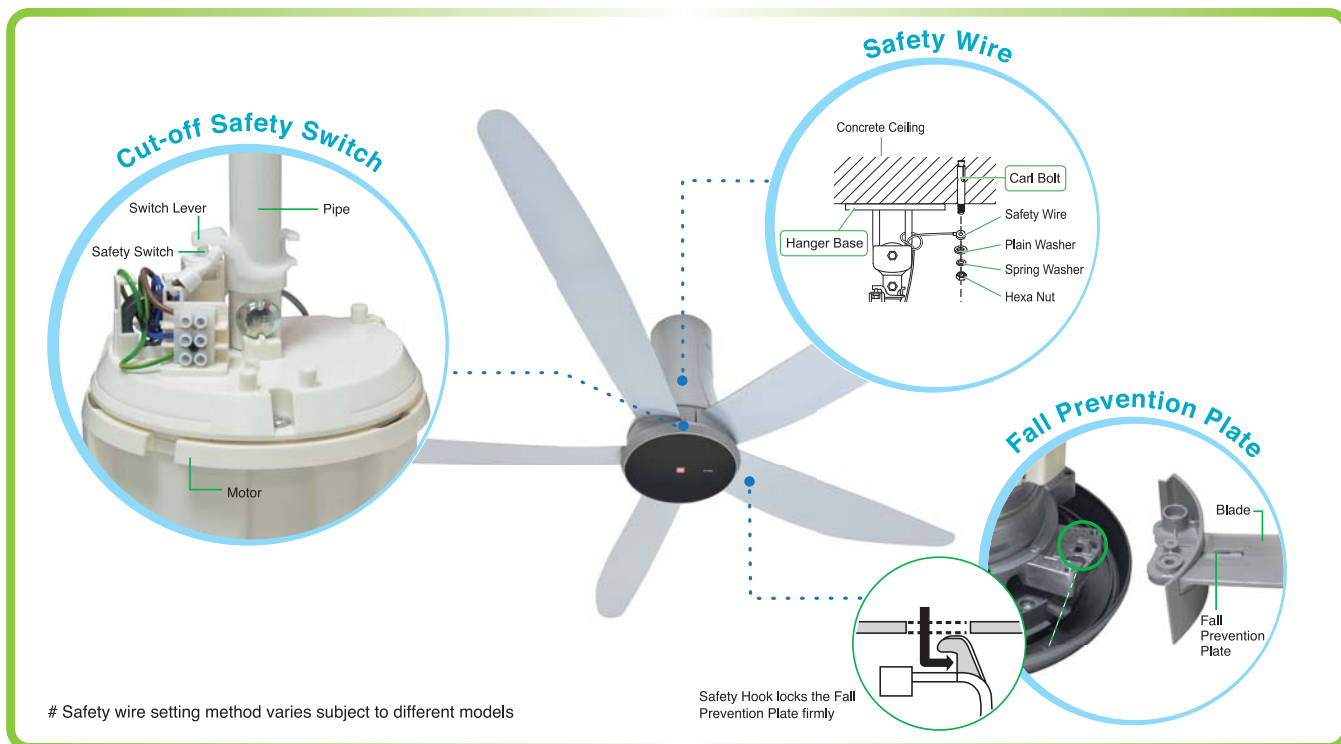
Our solution

Cut-off safety switch is equipped to cut off power supply while dangerous wear and tear of the shaft or bolt are detected.

As abnormal wobbling occurs, the lever will detach from the switch and the fan will stop. It will prevent further wear to the damaged part. It can minimize the fracture of the part that reduces the possibility of falling of fan.

Safety Measures for Remote Control Type

Example: T60DW



Safety wire setting method varies subject to different models

Safety Hook locks the Fall Prevention Plate firmly

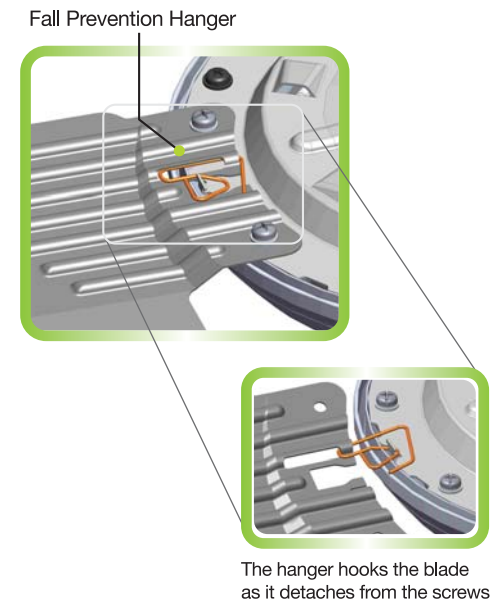
Safety Hanger

Problem

Blade fins may fall from the fan motor in case fatigue of material occurs.

Our solution

An exclusively designed fall prevention hanger equipped. This mechanism secures against falling of blades caused by damaging wear.



The hanger hooks the blade as it detaches from the screws

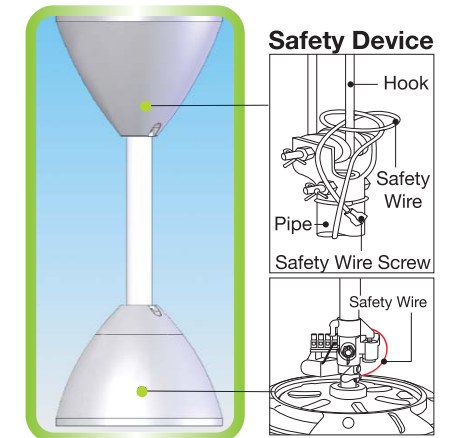
Safety Wire

Problem

Fan motor may fall from the pipe rod accidentally whatever any factors, such as wearing of shaft bolt, etc.

Our solution

Safety wire is adopted to secure the fan motor with the ceiling hook that prevents falling of the motor when detaching of the fan motor from the pipe rod occurs.



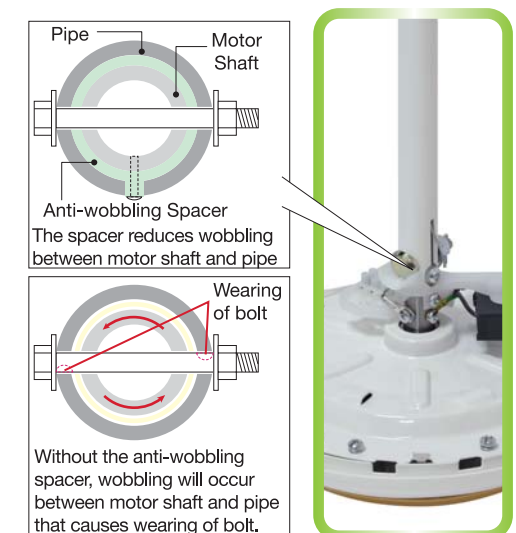
Wobbling Reduction Mechanism

Problem

Improper wobbling cause striking between bolt, motor shaft and pipe that wearing will be formed. Fracture may be happened when the wear of those parts are enlarged.

Our solution

The newly developed anti-wobbling structure can reduce wobbling between bolt, motor shaft and pipe. It can minimize wearing of the parts to prevent falling of fan.



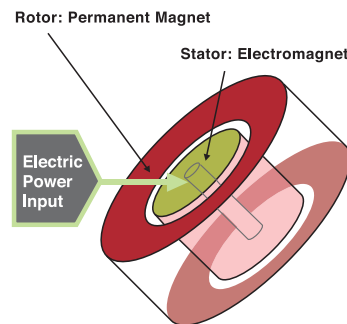
Performance

Direct Current Motor

Newly developed direct current (DC) motor are adopted in these fans. Power consumption is reduced as compared with alternative current (AC) motor that energy saving is achieved. DC motor has lighter weight compared with conventional AC motor, that allows easy handling for DC ceiling fan.

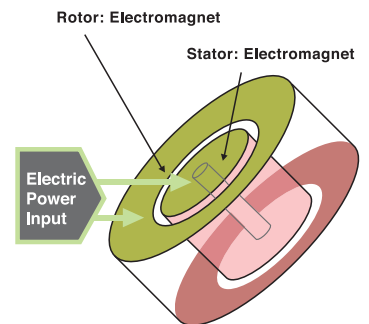


Direct Current (DC) Motor



Electric power input is required for stator only

Alternative Current (AC) Motor



Electric power input is required for both rotor and stator

	Motor Type	Power Consumption [W]
T60AW	DC	39
Other Brand	AC	94
		59% reduced

As of 230V 50Hz

Auto Mode with Eco Mode Function (Example: T60AW)

The fan is equipped with temperature sensor. Incorporated with Eco Mode Function, the innovative Auto Mode function is enhanced. This function controls the fan to generate the most comfortable air velocity to human body subject to the change of room temperature.

The sensor monitors the surrounding temperature change and air velocity will vary automatically in accordance to below table.

Range of Room Temperature	Change of Room Temperature		Change of Speed T60AW	
	-1°C	+1°C	-	+
Above 30°C	Decrease	Increase	Increase	Increase
30°C - 29°C	Decrease	Increase	Increase	Increase
29°C - 24°C	Decrease	Increase	Increase	Increase
Below 24°C	Decrease	Increase	No Change	No Change

Speed change for Eco Mode is among speed 1 to speed 9

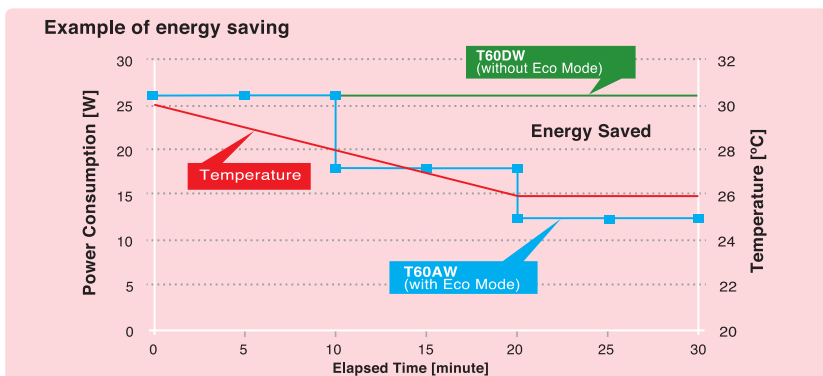


Eco Mode Indication



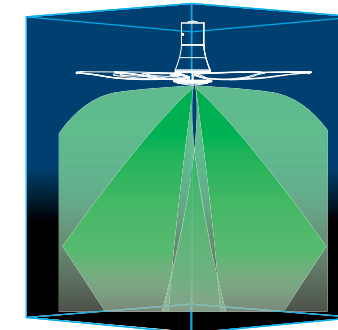
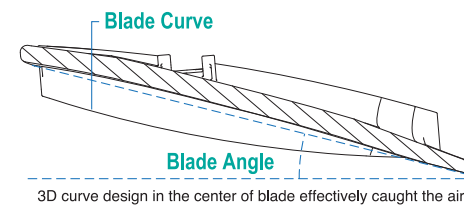
Merit of Eco Mode

The intelligent Eco Mode features energy saving by adjusting fan speed according to the surrounding temperature that reduce energy waste.

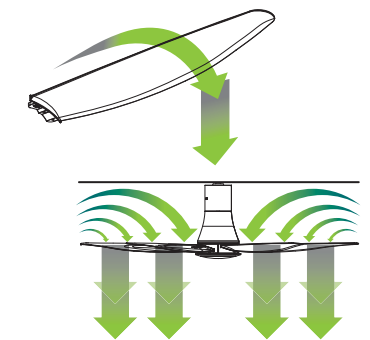


3D Blade

The exclusive and unique 3D blade design provides smooth and strong air flow while maintaining operating noise in low level.

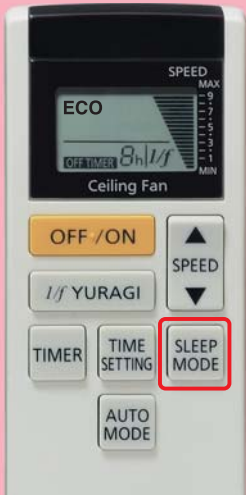


Stronger and Powerful Airflow



Sleep Mode

The fan is equipped with Sleep Mode, by which fan speed and timer will gradually go down until the fan is off. The function not only creates an optimal sleeping environment, but also enhances energy saving as well.



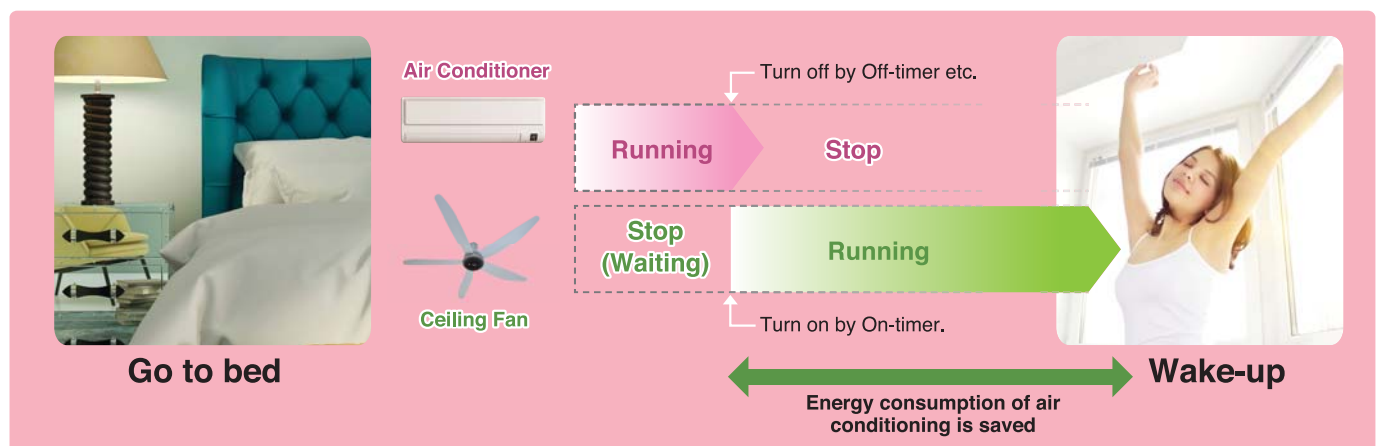
Sleep Mode (Example for Speed 9 & Speed 6)

	8H	7H	6H	5H	4H	3H	2H	1H	0
Speed 9	Running	Running	Running	Running	Running	Running	Running	Running	OFF
Speed 6	Running	Running	Running	Running	Running	Running	Running	Running	OFF

- Note:
1. Sleep mode function is disabled at speed 1 and 1 hour setting.
 2. Operation pattern is subject to different model and setting, please refer to the operation instruction for detail.

On Timer

On Timer can be incorporated with air conditioner to realize economy and comfortable operation. It can minimize excessive cold feeling and save power consumption during your sleep.

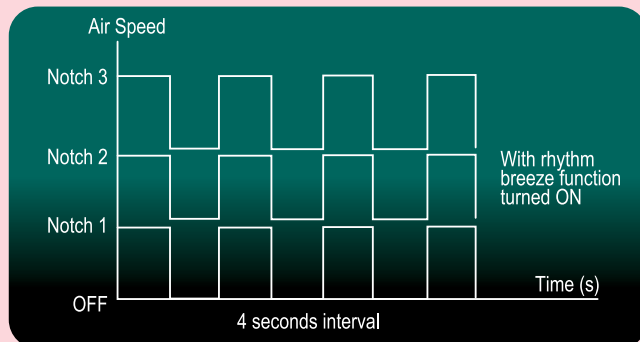


1/f YURAGI *1/f yuragi*

These fans are equipped with 1/f Yuragi function. It is a fluctuation pattern which usually exists in the gentle breeze on grassy plain, hypnotic rhythm of rolling waves and even in the classical music.

Rhythm Breeze Function

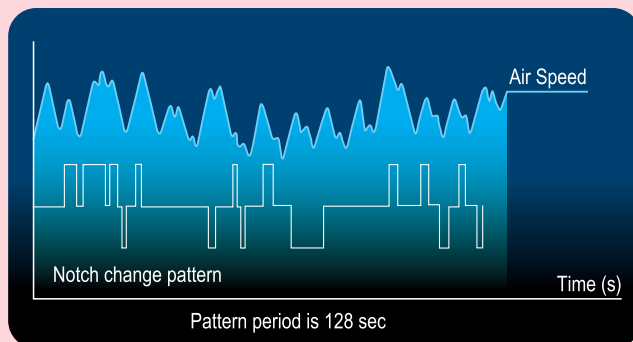
Speed notch toggles by 4 seconds regularly



The regular pattern makes body temperature falling after a period of time. After that, you may feel anxious and uncomfortable when the wind velocity changes.

1/f Yuragi Function

Speed notch toggles based on Yuragi pattern



Incorporated with the human-concerned technology, this kind of rhythm also maintains your external body temperature, and keep you in a better and relaxing physical condition.

1/f Yuragi air flow is a fluctuation pattern that makes people feel comfortable

	Decline of body temperature	Pleasure
With 1/f Yuragi function	Body temperature which suitable for human body will not drop easily.	Near the nature wind • Natural feeling when change of wind velocity. • Will not feel tired easily after a long time usage.
With 1/f Yuragi function (Rhythm random mode)	Body temperature suitable for human body will drop after long period of time.	Human made wind • Might provide anxious feeling when there is a change of wind velocity.

LED Lighting (For U48FP and U60FW)

The LED light has different brightness or colors selection. Incorporated with the contemporary interior, they can foster a charming atmosphere to the room.



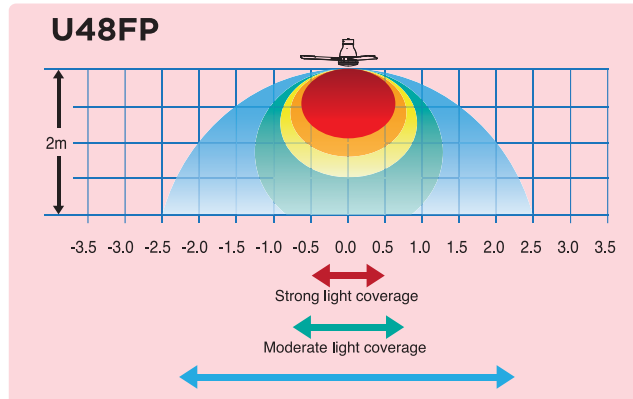
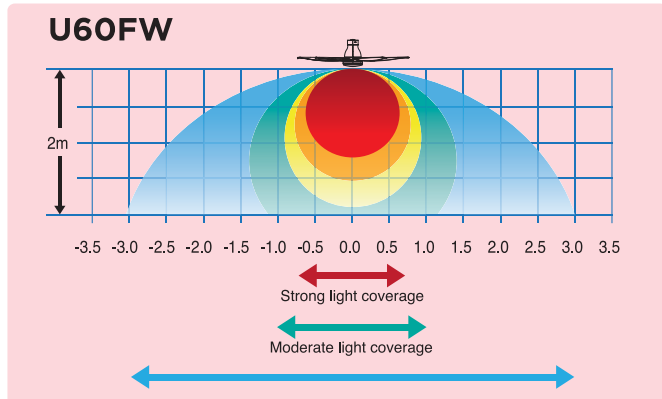
U60FW
White Lamp



U60FW/U48FP
Cool Daylight Lamp



U60FW
Warm Lamp (Medium/Low)



Actual brightness may vary slightly from time to time.

Design

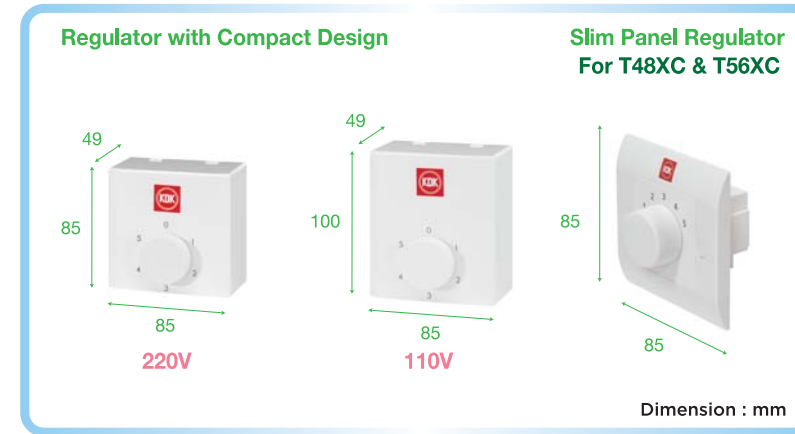
Beside different color options, advanced design can enrich your home with contemporary style. Incorporated with modern outlook, KDK ceiling fans match your décor perfectly.

Regulator

Regulators with compact design fit the stylish interior design perfectly while slim panel regulators complement your sense of life style.

Fan

KDK ceiling fans not only offer a wide range of size to fit your specification requirement, but they also come with a variety of style, from standard to premium, elegant to contemporary; either one would match your interior design perfectly.



Control

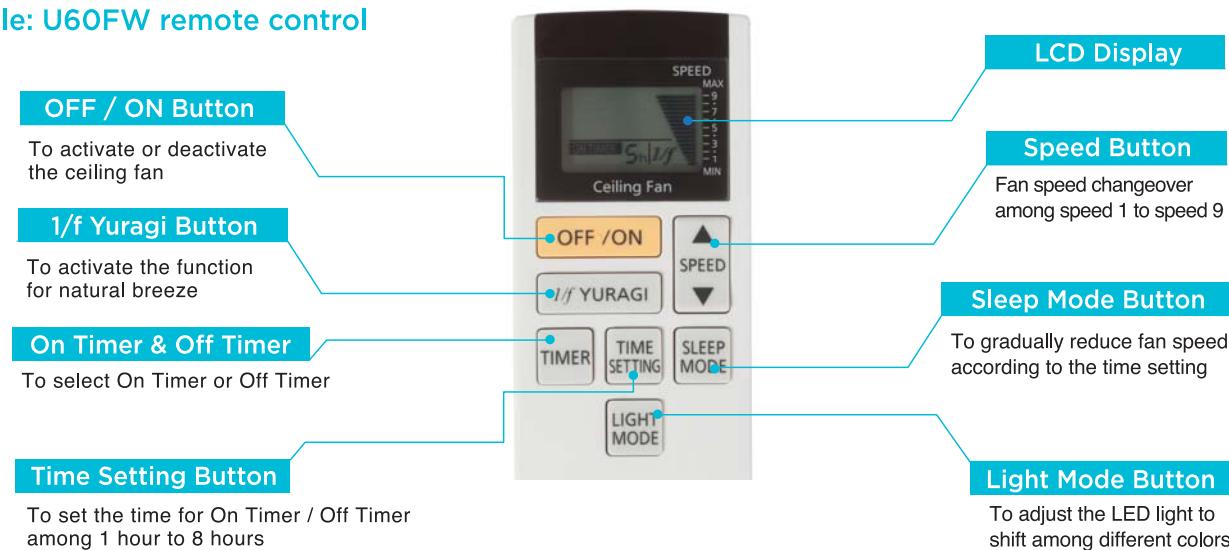
Remote control always provides users a great convenience during the operation of the ceiling fan. There are two types of control: Wireless remote control and wired regulator.

All functions can be operated with the hand-held remote control unit for remote control type, while you can select your preferable air delivery by simply adjust the compact-sized regulator for the regulator control type.

LCD Wireless Remote Control

Beside all functions can be operated by simply using the LCD remote control, you can also recognize the setting in a glance with the clear display of speed, timer and mode selection at the LCD panel. It provides great convenience and ease for you for operating the fan.

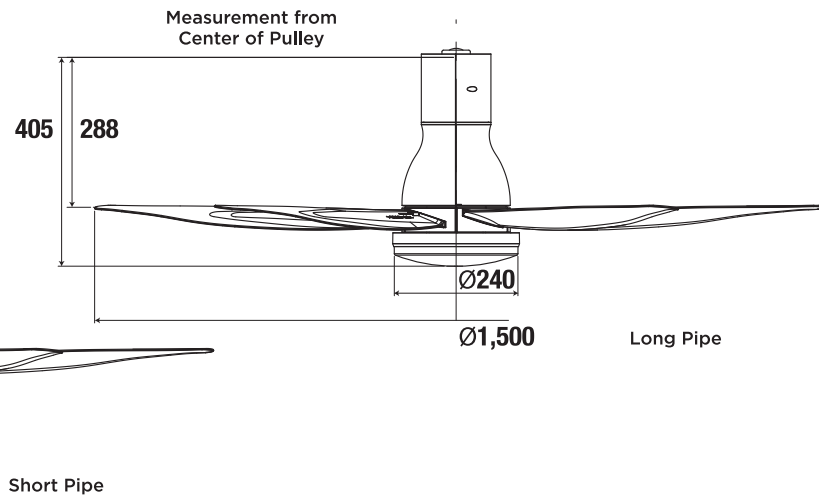
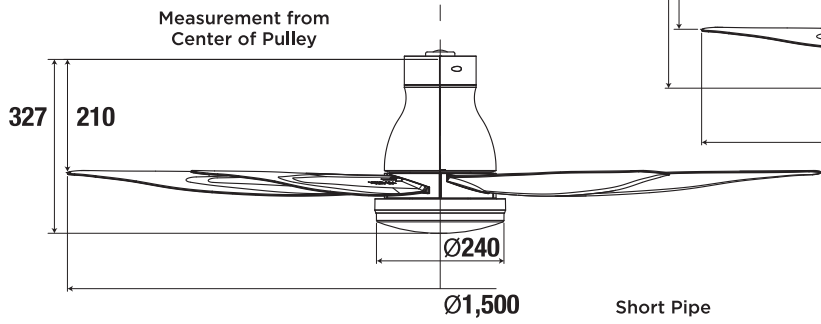
Example: U60FW remote control



Product Information

U60FW 150 cm (60")

- Dual function : Fan and Light
 - Direct Current(DC) motor adopted
 - LED lighting with brightness for daily life
 - Selectable light color (White/Daylight/Warm)
 - 1/f Yuragi Function
 - 3D blade delivers smooth and strong airflow
 - PPG blade material for durability
 - LCD wireless remote control
 - 9-speed control
 - Sleep mode with On timer & Off timer
 - Equipped with safety device
 - Blade safety plate and safety wire attached
 - Color option: Black, White or Silver
 - Pipe option: Long or Short #
- # Short pipe is not available for silver color



DC MOTOR 1/2 yuragi

Unit : mm

Dimension

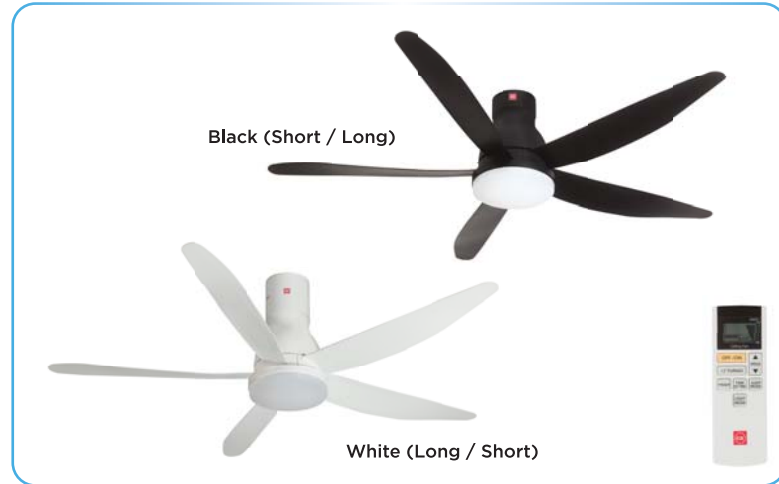
Specification

Model No.	Voltage		Consumption [W]		Air Velocity		Air Delivery		Weight [kg]
	[V]	[Hz]	Fan	Fan+Light	[m/min]	[ft/min]	[m³/min]	[ft³/min]	
U60FW	220	50	37	59	200	656	235	8,299	Short Pipe: 6.0 Long Pipe: 6.2
	230	50	39	61	205	673	240	8,476	

*Specification at Notch 9



DC (Direct Current) Type



U48FP 120 cm (48")

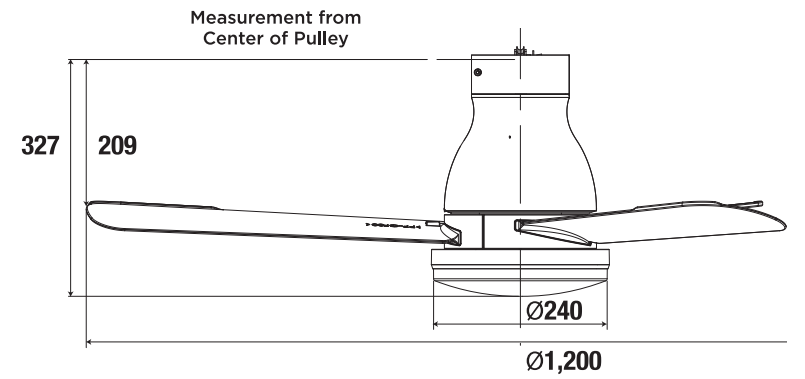
- Dual function : Fan and Light
- Direct Current(DC) motor adopted
- LED lighting with brightness for daily life
- 1/f Yuragi Function
- 3D blade delivers smooth and strong airflow
- PPG blade material for durability
- LCD wireless remote control
- 9-speed control
- Sleep mode with On timer & Off timer
- Equipped with safety device
- Blade safety plate and safety wire attached
- Color option: Black or White



DC MOTOR 1/2 yuragi

Unit : mm

Dimension



Specification

Model No.	Voltage		Consumption [W]		Air Velocity		Air Delivery		Weight [kg]
	[V]	[Hz]	Fan	Fan+Light	[m/min]	[ft/min]	[m³/min]	[ft³/min]	
U48FP	230	50	27	45	180	590	182	6,427	4.9

*Specification at Notch 9



DC (Direct Current) Type

T60AW 150 cm (60")

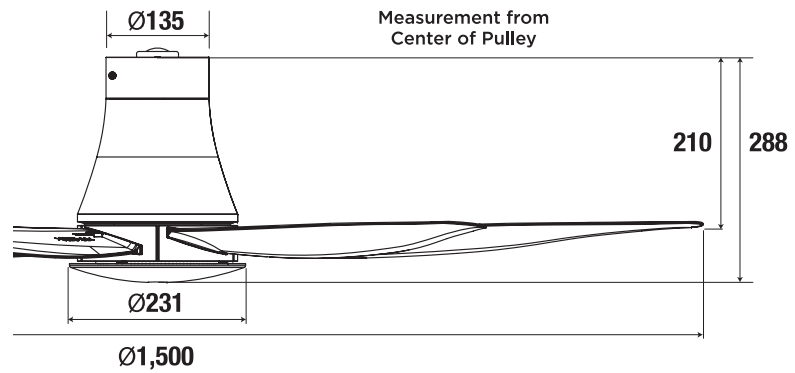
- Direct current (DC) motor adopted
- Auto mode with Eco Mode function by temperature sensor
- 1/f Yuragi function
- 3D blade delivers smooth and strong airflow
- PPG blade material for durability
- LCD wireless remote control
- 9-speed control
- Sleep mode with On timer & Off timer
- Equipped with safety device
- Blade safety plate and safety wire attached



DC MOTOR 1/f yuragi

Unit : mm

Dimension



Specification

Model No.	Voltage [V]	*	Consumption [W]	RPM [min ⁻¹]	Air Velocity		Air Delivery		Weight [kg]
					[m/min]	[ft/min]	[m ³ /min]	[ft ³ /min]	
T60AW	220	Hi	37	228	200	656	235	8,299	5.1
		Lo	3	80	-	-	-	-	
	230	Hi	39	230	205	673	240	8,476	
		Lo	3	80	-	-	-	-	

*Hi - Notch 9 / Lo- Notch 1



DC (Direct Current) Type

T60DW 150 cm (60")

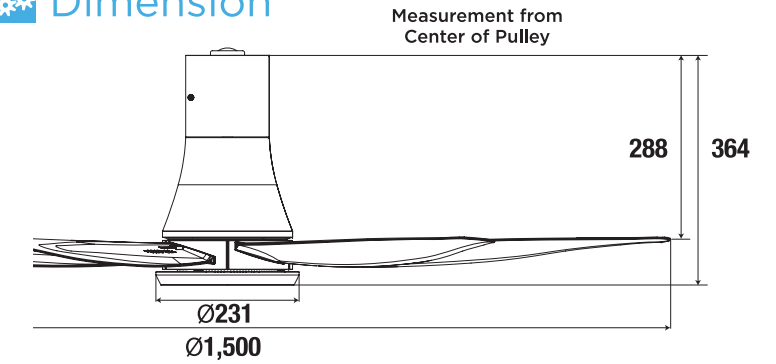
- Direct current (DC) motor adopted
- 1/f Yuragi function
- 3D blade delivers smooth and strong airflow
- PPG blade material for durability
- LCD wireless remote control
- 9-speed control
- Sleep mode with On timer & Off timer
- Equipped with safety device
- Blade safety plate and safety wire attached



DC MOTOR 1/f yuragi

Unit : mm

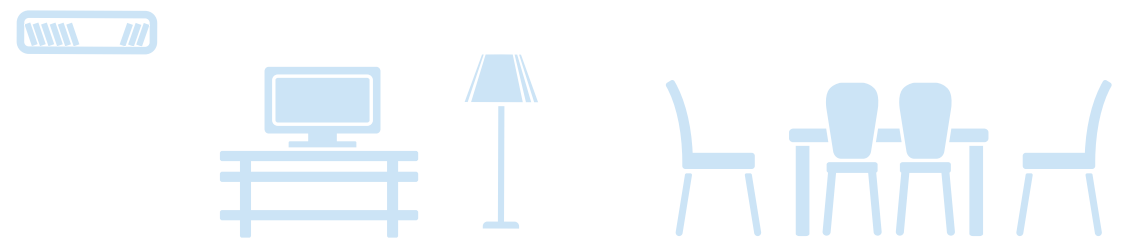
Dimension



Specification

Model No.	Voltage [V]	*	Consumption [W]	RPM [min ⁻¹]	Air Velocity		Air Delivery		Weight [kg]
					[m/min]	[ft/min]	[m ³ /min]	[ft ³ /min]	
T60DW	220	Hi	37	228	200	656	235	8,299	4.9
		Lo	3	80	-	-	-	-	
	230	Hi	39	230	205	673	240	8,476	
		Lo	3	80	-	-	-	-	

*Hi - Notch 9 / Lo- Notch 1



DC (Direct Current) Type

W56WV 140 cm (56")

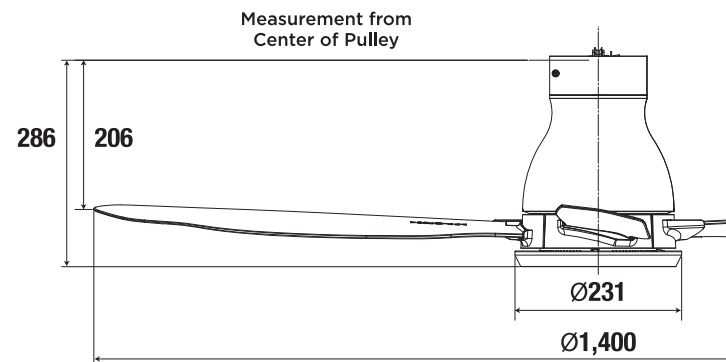
- Direct current (DC) motor adopted
- 1/f Yuragi function
- 3D blade delivers smooth and strong airflow
- PPG blade material for durability
- LCD wireless remote control
- 9-speed control
- Sleep mode with On timer & Off timer
- Equipped with safety device
- Blade safety plate and safety wire attached
- Color option: Black ,White



DC MOTOR 1/f yuragi

Unit : mm

Dimension



Specification

Model No.	Voltage [V]	*	Consumption [W]	RPM [min ⁻¹]	Air Velocity		Air Delivery		Weight [kg]
					[m/min]	[ft/min]	[m ³ /min]	[ft ³ /min]	
W56WV	230	Hi	39	228	180	591	220	7,769	4.9
		Lo	3	80	-	-	-	-	

*Hi - Notch 9 / Lo- Notch 1



Wireless Remote Control Type

V56VK 140 cm (56")

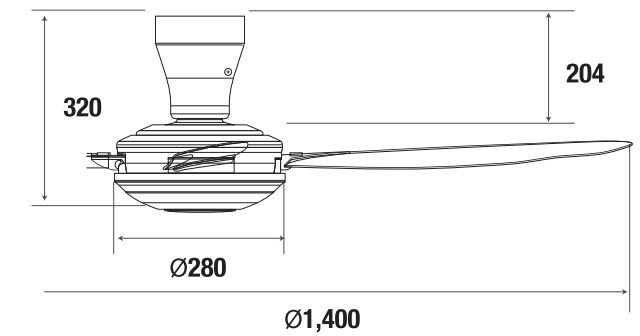
- Temperature sensor for airflow adjustment
- LED illumination lamp equipped
- 1/f Yuragi function
- 3D blade delivers smooth and strong airflow
- PPG blade material for durability
- LCD wireless remote control
- 5-speed selection
- Sleep mode
- 8-hour off timer
- Equipped with cut-off safety device
- Blade safety plate attached
- Safety wire adopted
- Color option: Grey or White



1/f yuragi

Unit : mm

Dimension



Specification

Model No.	Voltage		*	Consumption [W]	RPM [min ⁻¹]	Air Velocity		Air Delivery		Weight [kg]
	[V]	[Hz]				[m/min]	[ft/min]	[m ³ /min]	[ft ³ /min]	
V56VK	110	60	Hi	60	185	155	509	180	6,357	6.4
			Lo	18	95	-	-	-	-	
	120	60	Hi	72	185	155	509	180	6,357	
			Lo	21	95	-	-	-	-	
	127	50	Hi	61	195	163	535	190	6,710	
			Lo	23	100	-	-	-	-	
		60	Hi	80	195	163	535	190	6,710	
			Lo	23	100	-	-	-	-	
	220	50	Hi	58	190	159	522	185	6,533	
			Lo	21	90	-	-	-	-	
		60	Hi	74	190	159	522	185	6,533	
			Lo	21	90	-	-	-	-	
230	50	Hi	77	195	180	591	220	7,769		
		Lo	20	89	-	-	-	-		
240	50	Hi	83	215	185	607	225	7,946		
		Lo	21	92	-	-	-	-		

* Hi - Notch 5 / Lo - Notch 1

Wireless Remote Control Type

Z60WS 150 cm (60")

- 1/f Yuragi function
- 3D blade delivers smooth and strong air flow
- PPG blade material for durability
- LCD wireless remote control
- 7 speed control
- Sleep mode
- 8-hour off timer
- Equipped with cut-off safety device
- Blade safety plate attached
- Safety wire adopted
- Color option: Grey or White

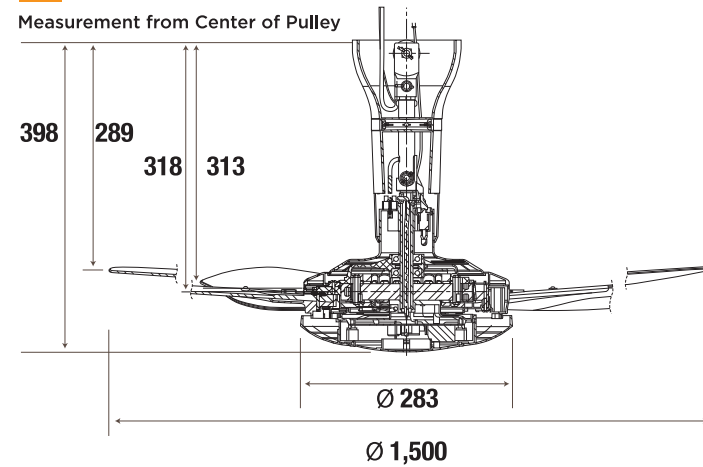


1/f yuragi

Unit : mm

Dimension

Measurement from Center of Pulley



Specification

Model No.	Voltage		*	Consumption [W]	RPM [min ⁻¹]	Air Velocity		Air Delivery		Weight [kg]
	[V]	[Hz]				[m/min]	[ft/min]	[m ³ /min]	[ft ³ /min]	
Z60WS	220	50	Hi	80	183	191	627	220	7,769	8
			Lo	23	83	-	-	-	-	
	230	50	Hi	87	192	201	659	235	8,299	
			Lo	24	86	-	-	-	-	
	240	50	Hi	91	200	210	689	245	8,652	
			Lo	25	90	-	-	-	-	

* Hi - Notch 7 / Lo - Notch 1



S56XV 140 cm (56")

- 1/f Yuragi function
- 3D blade delivers smooth and strong airflow
- PPG blade material for durability
- LED light indicators for OFF Timer & 1/F Yuragi function
- Wireless remote control
- 5 speed control
- Sleep mode
- 6-hour off timer
- Equipped with cut-off safety device
- Blade safety plate attached
- Safety wire adopted

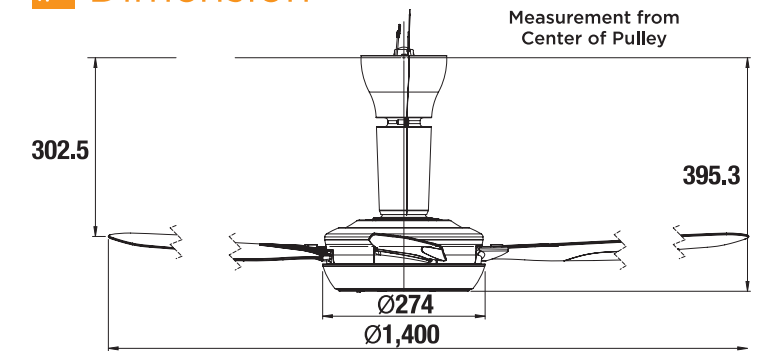


1/f yuragi

Unit : mm

Dimension

Measurement from Center of Pulley



Specification

Model No.	Voltage		*	Consumption [W]	RPM [min ⁻¹]	Air Velocity		Air Delivery		Weight [kg]
	[V]	[Hz]				[m/min]	[ft/min]	[m ³ /min]	[ft ³ /min]	
S56XV	220	50	Hi	70	195	175	574	215	7,593	6.4
			Lo	-	87	-	-	-	-	

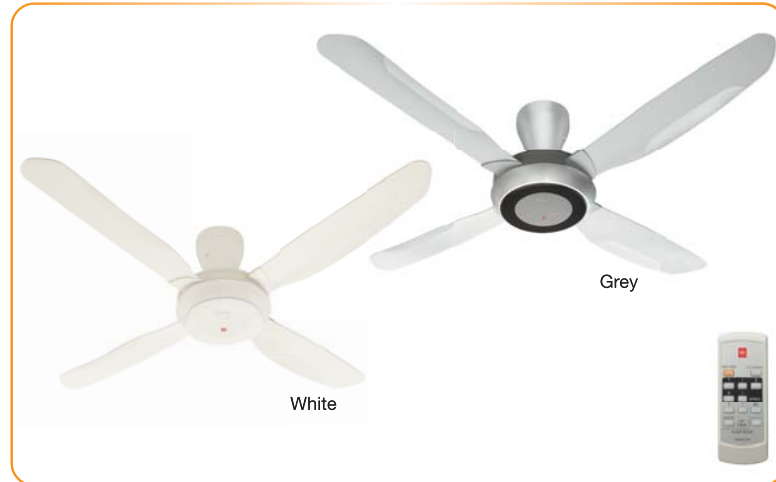
* Hi - Notch 5 / Lo - Notch 1



Wireless Remote Control Type

R56SV 140 cm (56")

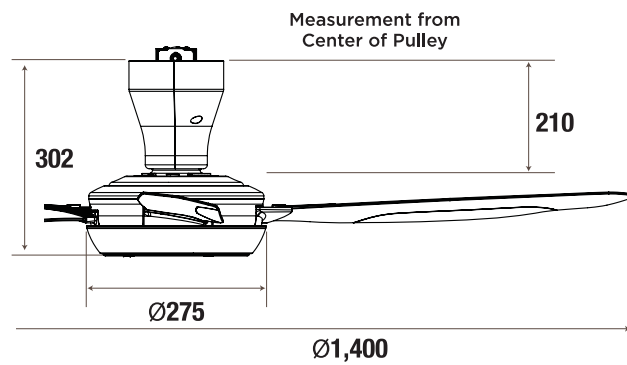
- 1/f Yuragi function
- 3D blade delivers smooth and strong airflow
- PPG blade material for durability
- LED light indicators for OFF Timer & 1/f Yuragi function
- Wireless remote control
- 5 speed control
- Sleep mode
- 6-hour OFF timer
- Equipped with cut-off safety device
- Blade safety plate attached
- Safety wire adopted
- Color option: Grey or White



1/f yuragi

Unit : mm

Dimension



Specification

Model No.	Voltage		*	Consumption [W]	RPM [min ⁻¹]	Air Velocity		Air Delivery		Weight [kg]
	[V]	[Hz]				[m/min]	[ft/min]	[m ³ /min]	[ft ³ /min]	
R56SV	230	50	Hi	74	215	180	591	220	7,769	6.4
			Lo	18	98	-	-	-	-	

* Hi - Notch 5 / Lo - Notch 1



Wireless Remote Control Type

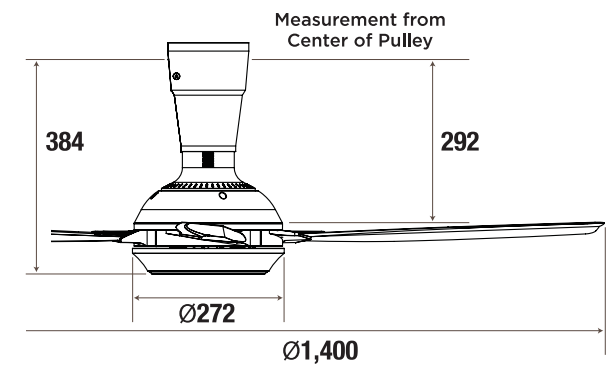
U56PR 140 cm (56")

- 3D blade delivers smooth and strong airflow
- PPG blade material for durability
- LED light indicators for OFF Timer
- Wireless remote control
- 3 speed control
- Sleep mode
- 6-hour OFF timer
- Equipped with cut-off safety device
- Blade safety plate attached
- Safety wire adopted



Unit : mm

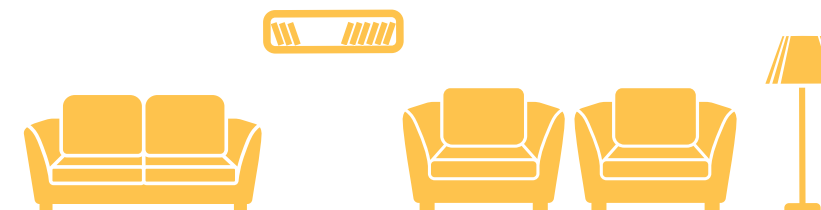
Dimension



Specification

Model No.	Voltage		*	Consumption [W]	RPM [min ⁻¹]	Air Velocity		Air Delivery		Weight [kg]
	[V]	[Hz]				[m/min]	[ft/min]	[m ³ /min]	[ft ³ /min]	
U56PR	220	60	Hi	91	182	146	479	194	6,851	7
			Lo	21	89	-	-	-	-	
	230	50	Hi	66	182	146	479	194	6,851	
			Lo	19	89	-	-	-	-	
	240	50	Hi	73	188	153	502	204	7,204	
			Lo	20	94	-	-	-	-	

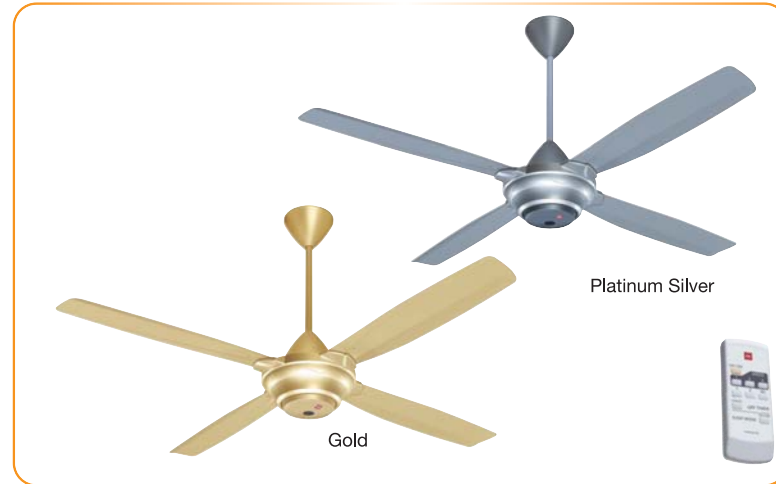
* Hi - Notch 3 / Lo - Notch 1



Wireless Remote Control Type

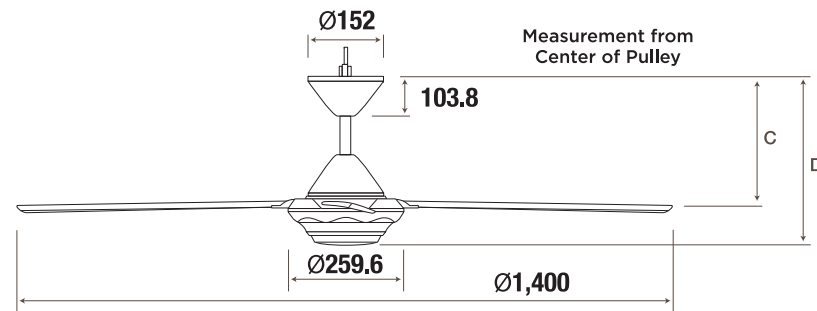
M56XR 140 cm (56")

- Wireless remote control
- 3-speed selection
- 1, 3, 6 hours timer
- Sleep mode
- Thermal fuse prevent overheating or power surge
- Safety wire provided
- Cut-off safety switch equipped
- Fall prevention of blade adopted
- Permanently lubricated ball-bearing assembly
- Color option: Gold or Platinum Silver



Unit : mm

Dimension



Pipe type	Pipe Length [mm]	C	D
9 inch	229	332.5	430.0
12 inch	305	408.5	506.0
16 inch	406	509.5	607.0
18 inch	457	560.5	658.0
22 inch	559	662.5	760.0

Specification

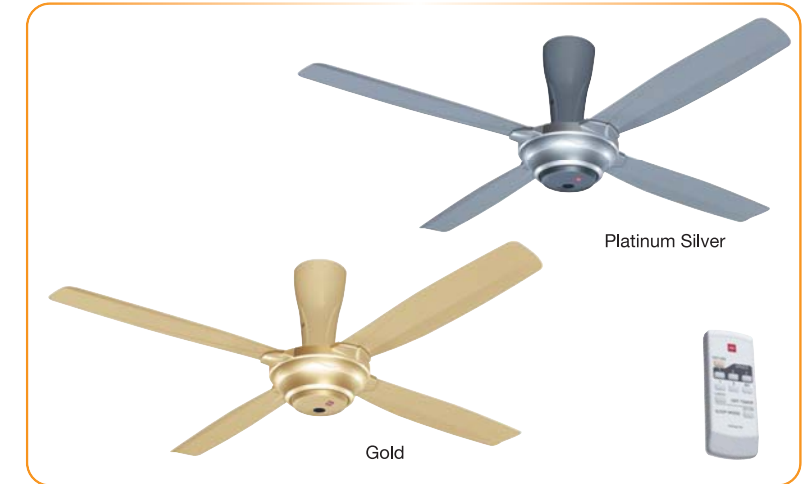
Model No.	Voltage		*	Consumption [W]	RPM [min ⁻¹]	Air Velocity		Air Delivery		Weight [kg]
	[V]	[Hz]				[m/min]	[ft/min]	[m ³ /min]	[ft ³ /min]	
M56XR	110	50	Hi	42	148	125	410	150	5,297	6.9
			Lo	19	90	-	-	-	-	
		60	Hi	52	162	135	443	165	5,827	
			Lo	18	89	-	-	-	-	
	120	50	Hi	50	164	135	443	165	5,827	
			Lo	23	100	-	-	-	-	
		60	Hi	62	180	150	492	185	6,533	
			Lo	22	97	-	-	-	-	
	127	50	Hi	56	175	150	492	180	6,357	
			Lo	25	107	-	-	-	-	
		60	Hi	69	190	160	525	200	7,063	
			Lo	24	104	-	-	-	-	
	220	50	Hi	59	184	150	492	190	6,710	
			Lo	17	88	-	-	-	-	
		60	Hi	69	180	150	492	190	6,710	
			Lo	19	88	-	-	-	-	
240	50	Hi	69	200	165	541	200	7,063		
		Lo	20	96	-	-	-	-		

* Hi - Notch 3 / Lo - Notch 1

Wireless Remote Control Type

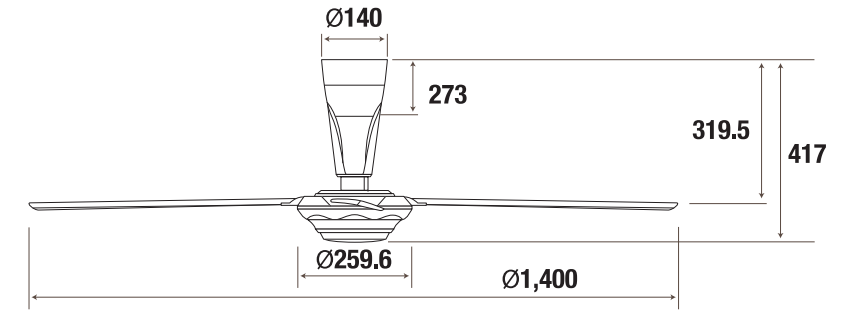
M56PR 140 cm (56")

- Wireless remote control
- 3-speed selection
- 1, 3, 6 hours timer
- Sleep mode
- Thermal fuse prevent overheating or power surge
- Safety wire provided
- Cut-off safety switch equipped
- Fall prevention of blade adopted
- Permanently lubricated ball-bearing assembly
- Color option: Gold or Platinum Silver



Unit : mm

Dimension



Specification

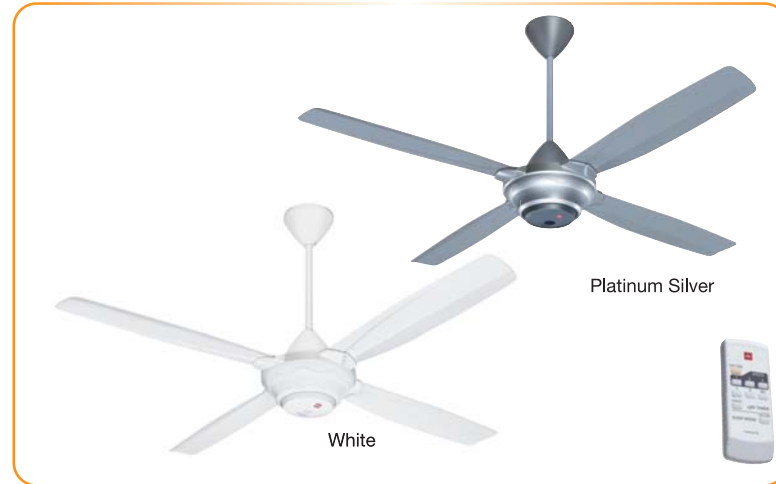
Model No.	Voltage		*	Consumption [W]	RPM [min ⁻¹]	Air Velocity		Air Delivery		Weight [kg]	
	[V]	[Hz]				[m/min]	[ft/min]	[m ³ /min]	[ft ³ /min]		
M56PR	110	50	Hi	42	148	125	410	150	5,297	7	
			Lo	19	90	-	-	-	-		
		60	Hi	52	162	135	443	165	5,827		
			Lo	18	89	-	-	-	-		
		120	50	Hi	50	164	135	443	165		5,827
				Lo	23	100	-	-	-		-
			60	Hi	62	180	150	492	185		6,533
				Lo	22	97	-	-	-		-
	127	50	Hi	56	175	150	492	180	6,357		
			Lo	25	107	-	-	-	-		
		60	Hi	69	190	160	525	200	7,063		
			Lo	24	104	-	-	-	-		
	220	50	Hi	59	184	150	492	190	6,710		
			Lo	17	88	-	-	-	-		
		60	Hi	69	180	150	492	190	6,710		
			Lo	19	88	-	-	-	-		
240	50	Hi	69	200	165	541	200	7,063			
		Lo	20	96	-	-	-	-			

* Hi - Notch 3 / Lo - Notch 1

Wireless Remote Control Type

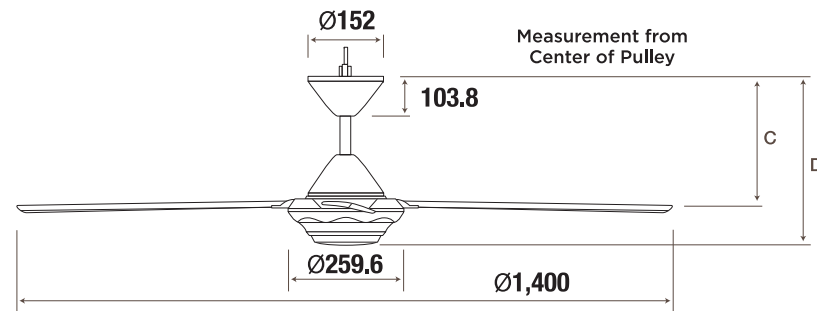
M56SR 140 cm (56")

- Wireless remote control
- 3-speed selection
- 1, 3, 6 hours timer
- Sleep mode
- Thermal fuse prevent overheating or power surge
- Safety wire provided
- Cut-off safety switch equipped
- Fall prevention of blade adopted
- Permanently lubricated ball-bearing assembly
- Color option: Platinum Silver or White



Unit : mm

Dimension



Pipe type	Pipe Length [mm]	C	D
9 inch	229	332.5	430.0
12 inch	305	408.5	506.0
16 inch	406	509.5	607.0
18 inch	457	560.5	658.0
22 inch	559	662.5	760.0

Specification

Model No.	Voltage		*	Consumption [W]	RPM [min ⁻¹]	Air Velocity		Air Delivery		Weight [kg]
	[V]	[Hz]				[m/min]	[ft/min]	[m ³ /min]	[ft ³ /min]	
M56SR	230	50	Hi	64	192	155	509	190	6,710	6.9
			Lo	18	92	-	-	-	-	

* Hi - Notch 3 / Lo - Notch 1



Wireless Remote Control Type

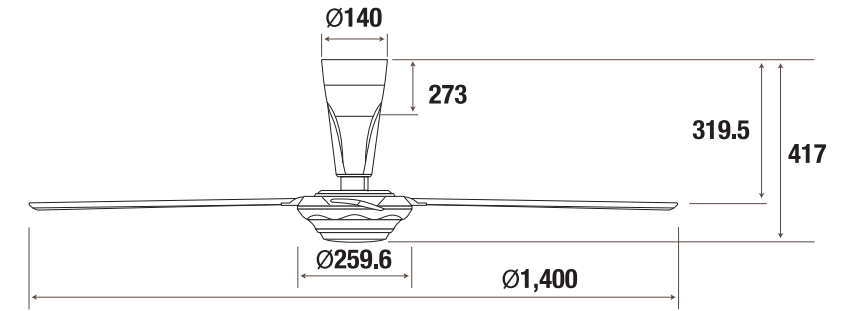
M56QR 140 cm (56")

- Wireless remote control
- 3-speed selection
- 1, 3, 6 hours timer
- Sleep mode
- Thermal fuse prevent overheating or power surge
- Safety wire provided
- Cut-off safety switch equipped
- Fall prevention of blade adopted
- Permanently lubricated ball-bearing assembly
- Color option: Platinum Silver or White



Unit : mm

Dimension



Specification

Model No.	Voltage		*	Consumption [W]	RPM [min ⁻¹]	Air Velocity		Air Delivery		Weight [kg]
	[V]	[Hz]				[m/min]	[ft/min]	[m ³ /min]	[ft ³ /min]	
M56QR	230	50	Hi	64	192	155	509	190	6,710	7
			Lo	18	92	-	-	-	-	

* Hi - Notch 3 / Lo - Notch 1



Wireless Remote Control Type

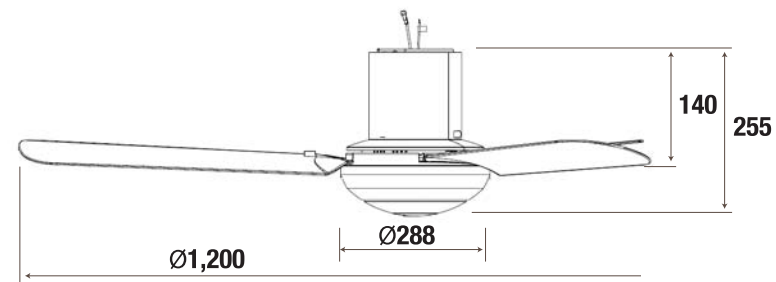
R48SP 120 cm (48")

- Wireless remote control
- 3-speed selection
- 1, 3, 6 hours timer
- Sleep mode
- PPG blade material for durability
- Thermal fuse prevent overheating or power surge
- Safety wire provided
- Cut-off safety switch equipped
- Fall prevention of blade adopted
- Permanently lubricated ball-bearing assembly
- Color option: Silver or White



Unit : mm

Dimension



Specification

Model No.	Voltage		*	Consumption [W]	RPM [min ⁻¹]	Air Velocity		Air Delivery		Weight [kg]
	[V]	[Hz]				[m/min]	[ft/min]	[m ³ /min]	[ft ³ /min]	
R48SP	230	50	Hi	60	237	175	574	170	6,003	5.5
			Lo	20	194	-	-	-	-	

* Hi - Notch 3 / Lo - Notch 1



Wireless Remote Control Type

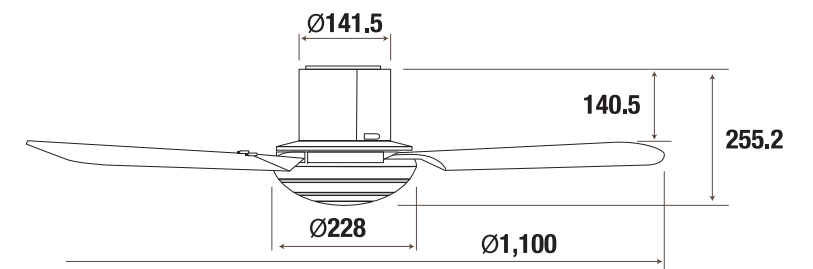
S44XU / M11SU 110 cm (44")

- Wireless remote control
- 3-speed selection
- Blade made of rigid ABS material with painting
- 1, 3, 6 hours timer
- Sleep mode
- Thermal fuse prevent overheating or power surge
- Safety wire provided
- Cut-off safety switch equipped
- Fall prevention of blade adopted
- Permanently lubricated ball-bearing assembly
- Color option:
White (for both S44XU & M11SU) or
Silver (for M11SU only)



Unit : mm

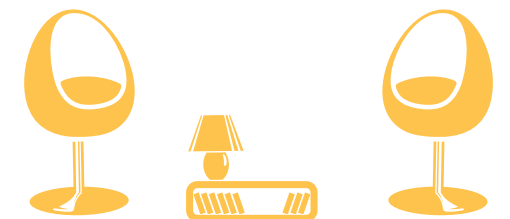
Dimension



Specification

Model No.	Voltage		*	Consumption [W]	RPM [min ⁻¹]	Air Velocity		Air Delivery		Weight [kg]
	[V]	[Hz]				[m/min]	[ft/min]	[m ³ /min]	[ft ³ /min]	
S44XU	220	50	Hi	49	225	185	607	150	5,297	5.1
			Lo	17	121	-	-	-	-	
M11SU	230	50	Hi	54	220	190	623	160	5,650	5.1
			Lo	20	115	-	-	-	-	

* Hi - Notch 3 / Lo - Notch 1



Regulator Control Type

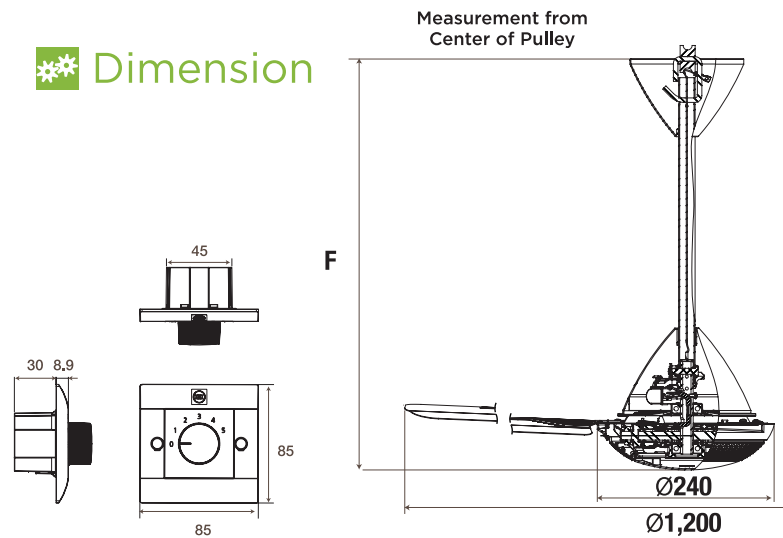
T48XC 120 cm (48")

- Slim panel regulator
- 5-speed selection
- Thermal fuse prevent overheating or power surge
- Safety wire provided
- Wobbling reduction mechanism prevent fan falling
- Fall prevention of blade adopted
- Permanently lubricated ball-bearing assembly
- Glossy diamond-patterned fan ring
- Color option:
Brown with golden ring
Gray with silver ring
White with golden ring or white ring



Unit : mm

Dimension



Pipe type	Pipe Length [mm]	F
9 inch	229	437
12 inch	305	513
16 inch	406	614
18 inch	457	665
22 inch	559	764

Specification

Model No.	Voltage		*	Consumption [W]	RPM [min ⁻¹]	Air Velocity		Air Delivery		Weight [kg]
	[V]	[Hz]				[m/min]	[ft/min]	[m ³ /min]	[ft ³ /min]	
T48XC	220	50	Hi	45	285	160	525	155	5,474	5.3
			Lo	15	137	-	-	-	-	
		60	Hi	55	311	175	574	170	6,003	
			Lo	15	129	-	-	-	-	
	240	50	Hi	51	303	165	541	170	6,003	
			Lo	18	154	-	-	-	-	

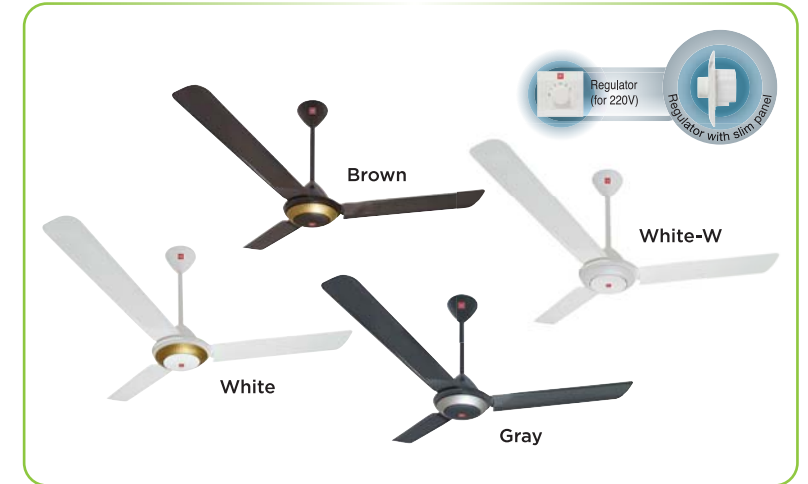
* Hi - Notch 5 / Lo - Notch 1



Regulator Control Type

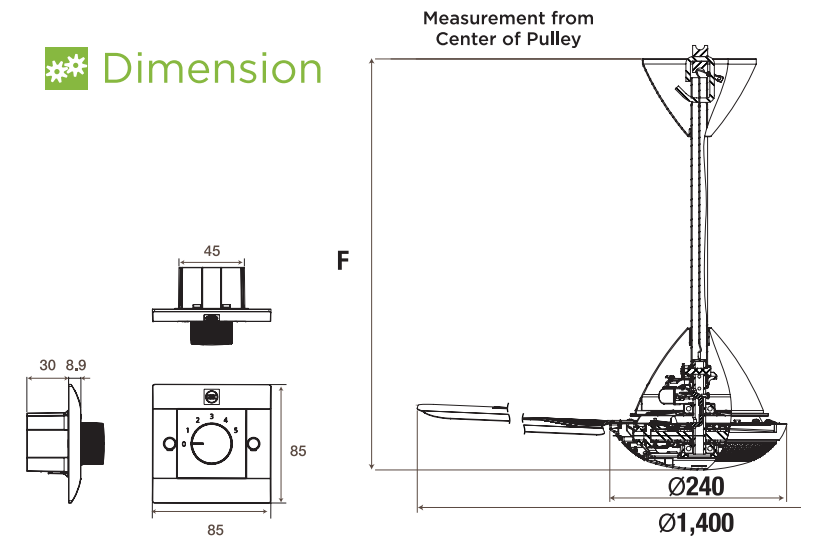
T56XC 140 cm (56")

- Slim panel regulator
- 5-speed selection
- Thermal fuse prevent overheating or power surge
- Safety wire provided
- Wobbling reduction mechanism prevent fan falling
- Fall prevention of blade adopted
- Permanently lubricated ball-bearing assembly
- Glossy diamond-patterned fan ring
- Color option:
Brown with golden ring
Gray with silver ring
White with golden ring or white ring



Unit : mm

Dimension



Pipe type	Pipe Length [mm]	F
9 inch	229	437
12 inch	305	513
16 inch	406	614
18 inch	457	665
22 inch	559	764

Specification

Model No.	Voltage		*	Consumption [W]	RPM [min ⁻¹]	Air Velocity		Air Delivery		Weight [kg]
	[V]	[Hz]				[m/min]	[ft/min]	[m ³ /min]	[ft ³ /min]	
T56XC	220	50	Hi	70	268	165	541	220	7,769	5.6
			Lo	14	103	-	-	-	-	
		60	Hi	76	268	170	558	225	7,946	
			Lo	17	106	-	-	-	-	
	240	50	Hi	76	273	165	541	220	7,769	
			Lo	17	115	-	-	-	-	

* Hi - Notch 5 / Lo - Notch 1



Regulator Control Type

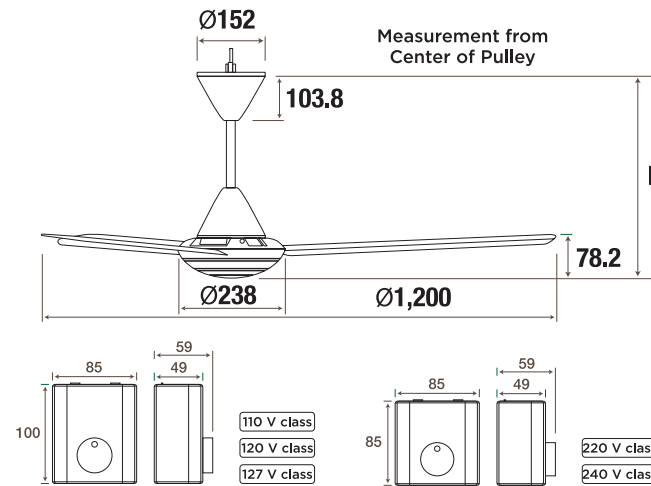
M48XG 120 cm (48")

- Compact size condenser controlled regulator
- 5-speed selection
- Thermal fuse prevent overheating or power surge
- Safety wire provided
- Cut-off safety switch equipped
- Fall prevention of blade adopted
- Permanently lubricated ball-bearing assembly
- Color option: Body - White
Ring - Gloss Silver or Non-gloss Silver



Dimension

Unit : mm



Pipe type	Pipe Length [mm]	F
9 inch	229	375.7
12 inch	305	451.7
16 inch	406	552.7
18 inch	457	603.7
22 inch	559	705.7

Specification

Model No.	Voltage		*	Consumption [W]	RPM [min ⁻¹]	Air Velocity		Air Delivery		Weight [kg]
	[V]	[Hz]				[m/min]	[ft/min]	[m ³ /min]	[ft ³ /min]	
M48XG	110	50	Hi	35	246	140	459	135	4,767	5.3
			Lo	13	124	-	-	-	-	
		60	Hi	41	261	145	476	140	4,944	
			Lo	12	117	-	-	-	-	
	120	50	Hi	40	269	150	492	145	5,121	
			Lo	15	136	-	-	-	-	
		60	Hi	48	292	160	525	155	5,474	
			Lo	15	130	-	-	-	-	
	127	50	Hi	44	283	160	525	155	5,474	
			Lo	17	146	-	-	-	-	
		60	Hi	53	313	175	574	165	5,827	
			Lo	17	138	-	-	-	-	
220	50	Hi	44	285	160	525	155	5,474		
		Lo	15	137	-	-	-	-		
	60	Hi	55	311	175	574	170	6,003		
		Lo	15	129	-	-	-	-		
240	50	Hi	51	303	170	558	165	5,827		
		Lo	18	154	-	-	-	-		

* Hi - Notch 5 / Lo - Notch 1

Regulator Control Type

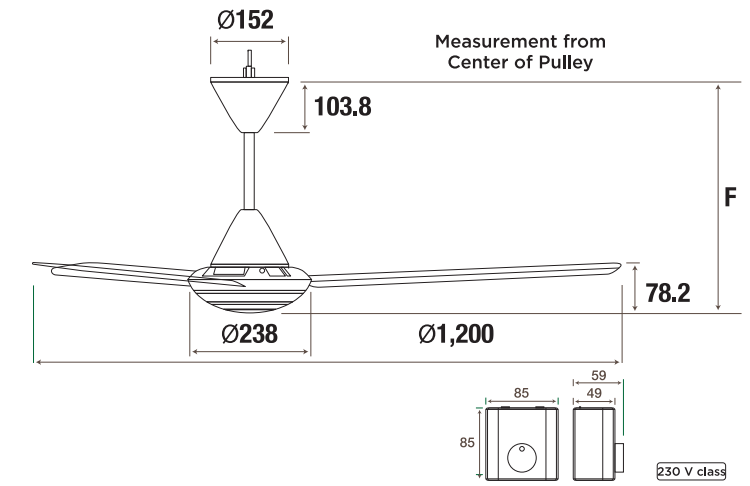
M48SG / M48WG 120 cm (48")

- Compact size condenser controlled regulator
- 5-speed selection
- Thermal fuse prevent overheating or power surge
- Safety wire provided
- Cut-off safety switch equipped
- Fall prevention of blade adopted
- Permanently lubricated ball-bearing assembly
- Color option: Body - White
Ring - White (for both SG / WG model) or Non-gloss Silver (for SG model)



Dimension

Unit : mm



Pipe type	Pipe Length [mm]	F
9 inch	229	375.7
12 inch	305	451.7
16 inch	406	552.7
18 inch	457	603.7
22 inch	559	705.7

Specification

Model No.	Voltage		*	Consumption [W]	RPM [min ⁻¹]	Air Velocity		Air Delivery		Weight [kg]
	[V]	[Hz]				[m/min]	[ft/min]	[m ³ /min]	[ft ³ /min]	
M48SG	230	50	Hi	49	296	165	541	170	6,003	5.3
			Lo	16	146	-	-	-	-	
M48WG	230	50	Hi	49	296	165	541	170	6,003	4.8
			Lo	16	146	-	-	-	-	

* Hi - Notch 5 / Lo - Notch 1



Regulator Control Type

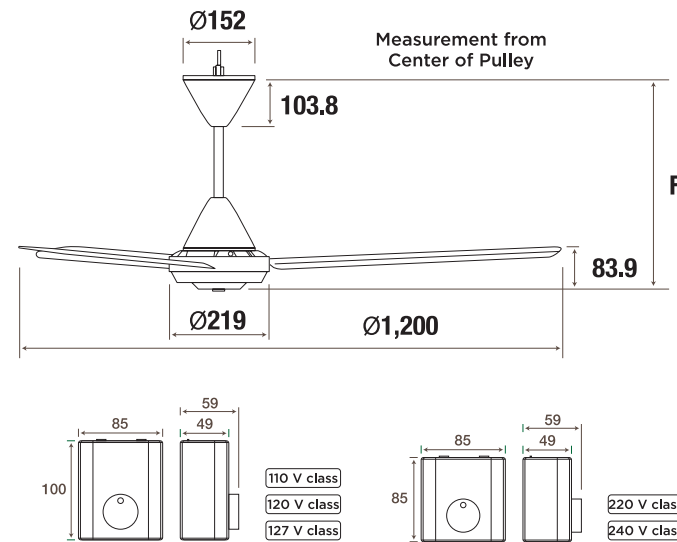
N48LG 120 cm (48")

- Compact size condenser controlled regulator
- 5-speed selection
- Thermal fuse prevent overheating or power surge
- Safety wire provided
- Cut-off safety switch equipped
- Fall prevention of blade adopted
- Permanently lubricated ball-bearing assembly
- Lamp kits adaptable (Lamp kit is not included)
- Color: Body - White
Cover Mark - Gold



Dimension

Unit : mm



Pipe type	Pipe Length [mm]	F
9 inch	229	381.3
12 inch	305	457.3
16 inch	406	558.3
18 inch	457	609.3
22 inch	559	711.3

Specification

Model No.	Voltage		*	Consumption [W]	RPM [min ⁻¹]	Air Velocity		Air Delivery		Weight [kg]
	[V]	[Hz]				[m/min]	[ft/min]	[m ³ /min]	[ft ³ /min]	
N48LG	110	50	Hi	35	246	140	459	135	4,767	5.3
			Lo	13	124	-	-	-	-	
		60	Hi	41	261	145	476	140	4,944	
			Lo	12	117	-	-	-	-	
	120	50	Hi	40	269	150	492	145	5,121	
			Lo	15	136	-	-	-	-	
		60	Hi	48	292	160	525	155	5,474	
			Lo	15	130	-	-	-	-	
	127	50	Hi	44	283	160	525	155	5,474	
			Lo	17	146	-	-	-	-	
		60	Hi	53	313	175	574	165	5,827	
			Lo	17	138	-	-	-	-	
220	50	Hi	44	285	160	525	160	5,650		
		Lo	15	137	-	-	-	-		
	60	Hi	55	311	175	574	170	6,003		
		Lo	15	129	-	-	-	-		

* Hi - Notch 5 / Lo - Notch 1

Regulator Control Type

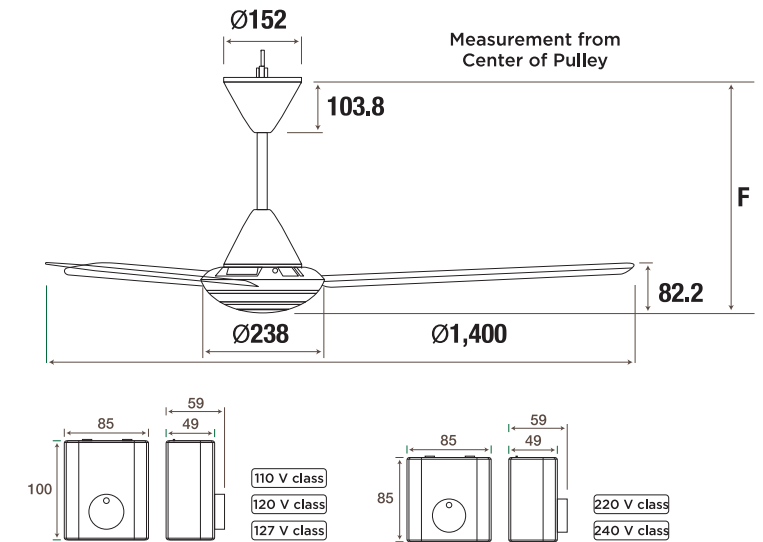
M56XG 140 cm (56")

- Compact size condenser controlled regulator
- 5-speed selection
- Thermal fuse prevent overheating or power surge
- Safety wire provided
- Cut-off safety switch equipped
- Fall prevention of blade adopted
- Permanently lubricated ball-bearing assembly
- Color option: Body - White
Ring - Gloss Silver or Non-gloss Silver



Dimension

Unit : mm



Pipe type	Pipe Length [mm]	F
9 inch	229	375.7
12 inch	305	451.7
16 inch	406	552.7
18 inch	457	603.7
22 inch	559	705.7

Specification

Model No.	Voltage		*	Consumption [W]	RPM [min ⁻¹]	Air Velocity		Air Delivery		Weight [kg]	
	[V]	[Hz]				[m/min]	[ft/min]	[m ³ /min]	[ft ³ /min]		
M56XG	110	50	Hi	52	236	150	492	195	6,886	5.6	
			Lo	12	92	-	-	-	-		
		60	Hi	63	259	165	541	225	7,946		
			Lo	13	97	-	-	-	-		
		120	50	Hi	63	249	155	509	205		7,240
				Lo	14	101	-	-	-		-
	60		Hi	78	276	170	558	230	8,122		
			Lo	15	105	-	-	-	-		
	127	50	Hi	62	248	155	509	205	7,240		
			Lo	16	112	-	-	-	-		
		60	Hi	79	278	170	558	230	8,122		
			Lo	17	112	-	-	-	-		
	220	50	Hi	70	268	165	541	220	7,769		
			Lo	14	103	-	-	-	-		
		60	Hi	76	268	175	574	225	7,946		
			Lo	17	106	-	-	-	-		
230	60	Hi	81	280	170	558	225	7,946			
		Lo	18	111	-	-	-	-			
240	50	Hi	76	273	165	541	220	7,769			
		Lo	17	115	-	-	-	-			

* Hi - Notch 5 / Lo - Notch 1

Regulator Control Type

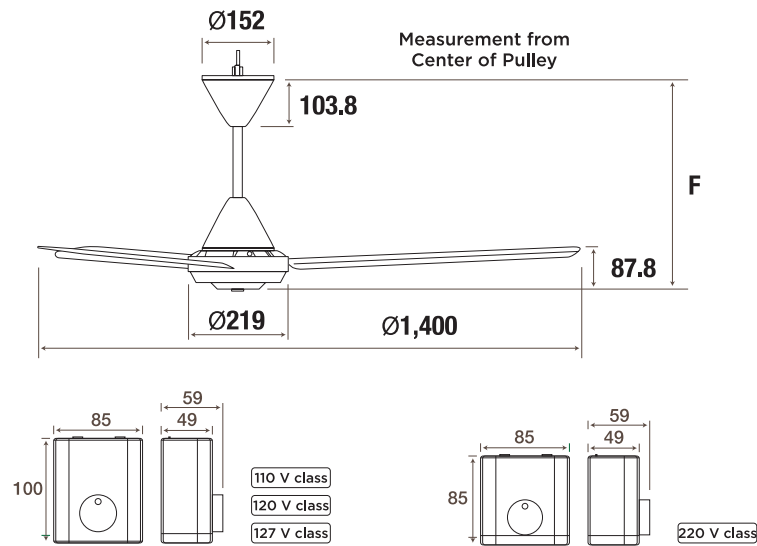
N56LG 140 cm (56")

- Compact size condenser controlled regulator
- 5-speed selection
- Thermal fuse prevent overheating or power surge
- Safety wire provided
- Cut-off safety switch equipped
- Fall prevention of blade adopted
- Permanently lubricated ball-bearing assembly
- Lamp kits adaptable (Lamp kit is not included)
- Color option: White body with gold cover mark
Silver body with silver cover mark



Dimension

Unit : mm



Pipe type	Pipe Length [mm]	F
9 inch	229	381.3
12 inch	305	457.3
16 inch	406	558.3
18 inch	457	609.3
22 inch	559	711.3

Specification

Model No.	Voltage		*	Consumption [W]	RPM [min ⁻¹]	Air Velocity		Air Delivery		Weight [kg]
	[V]	[Hz]				[m/min]	[ft/min]	[m ³ /min]	[ft ³ /min]	
N56LG	110	50	Hi	52	236	150	492	195	6,886	5.6
			Lo	12	92	-	-	-	-	
		60	Hi	63	259	165	541	225	7,946	
			Lo	13	97	-	-	-	-	
	120	50	Hi	63	249	155	509	205	7,240	
			Lo	14	101	-	-	-	-	
		60	Hi	78	276	170	558	230	8,122	
			Lo	15	105	-	-	-	-	
	127	50	Hi	62	248	155	509	205	7,240	
			Lo	16	112	-	-	-	-	
		60	Hi	79	278	170	558	230	8,122	
			Lo	17	112	-	-	-	-	
220	50	Hi	62	246	155	509	200	7,063		
		Lo	16	106	-	-	-	-		
	60	Hi	76	268	170	558	225	7,946		
		Lo	17	106	-	-	-	-		

* Hi - Notch 5 / Lo - Notch 1

Regulator Control Type

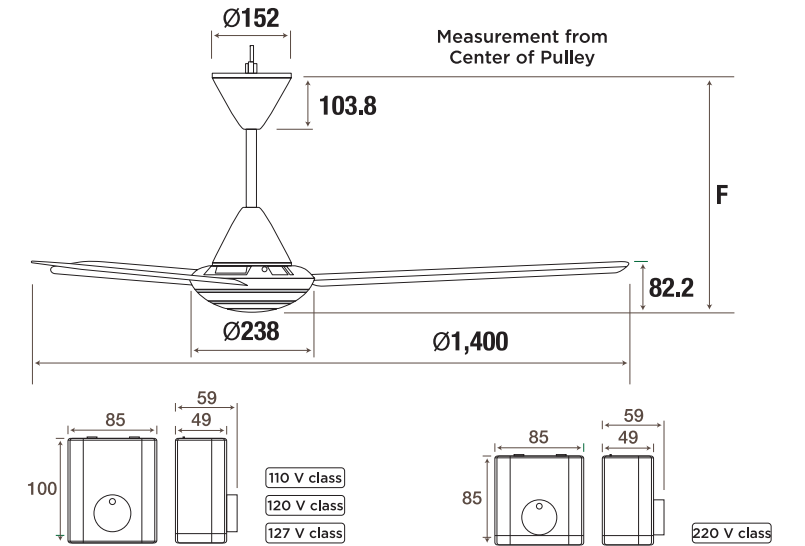
M56LG 140 cm (56")

- Compact size condenser controlled regulator
- 5-speed selection
- Thermal fuse prevent overheating or power surge
- Safety wire provided
- Cut-off safety switch equipped
- Fall prevention of blade adopted
- Permanently lubricated ball-bearing assembly
- Color option: White, Silver or Black



Dimension

Unit : mm



Pipe type	Pipe Length [mm]	F
9 inch	229	375.7
12 inch	305	451.7
16 inch	406	552.7
18 inch	457	603.7
22 inch	559	705.7

Specification

Model No.	Voltage		*	Consumption [W]	RPM [min ⁻¹]	Air Velocity		Air Delivery		Weight [kg]	
	[V]	[Hz]				[m/min]	[ft/min]	[m ³ /min]	[ft ³ /min]		
M56LG	110	50	Hi	52	236	150	492	195	6,886	5.6	
			Lo	12	92	-	-	-	-		
		60	Hi	63	259	165	541	225	7,946		
			Lo	13	97	-	-	-	-		
		120	50	Hi	63	249	155	509	205		7,240
				Lo	14	101	-	-	-		-
			60	Hi	78	276	170	558	230		8,122
				Lo	15	105	-	-	-		-
	127	50	Hi	62	248	155	509	205	7,240		
			Lo	16	112	-	-	-	-		
		60	Hi	79	278	170	558	230	8,122		
			Lo	17	112	-	-	-	-		
220	50	Hi	70	268	165	541	220	7,769			
		Lo	14	103	-	-	-	-			
	60	Hi	76	268	175	574	225	7,946			
		Lo	17	106	-	-	-	-			

* Hi - Notch 5 / Lo - Notch 1

Regulator Control Type

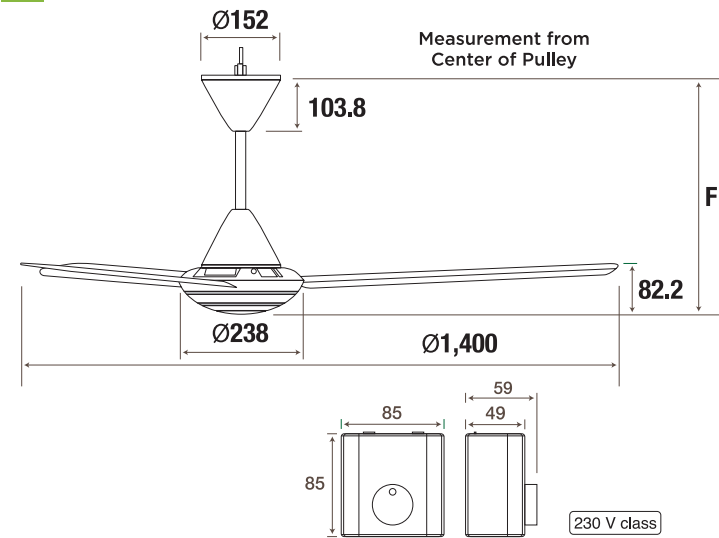
M56RG 140 cm (56")

- Compact size condenser controlled regulator
- 5-speed selection
- Thermal fuse prevent overheating or power surge
- Safety wire provided
- Cut-off safety switch equipped
- Fall prevention of blade adopted
- Permanently lubricated ball-bearing assembly
- SLSI compliance
- Color: Body - White
Ring - Non-gloss Silver



Dimension

Unit : mm



Pipe type	Pipe Length [mm]	F
9 inch	229	375.7
12 inch	305	451.7
16 inch	406	552.7
18 inch	457	603.7
22 inch	559	705.7

Specification

Model No.	Voltage		*	Consumption [W]	RPM [min ⁻¹]	Air Velocity		Air Delivery		Weight [kg]
	[V]	[Hz]				[m/min]	[ft/min]	[m ³ /min]	[ft ³ /min]	
M56RG	220	50	Hi	70	268	165	541	220	7,769	5.6
			Lo	14	103	-	-	-	-	
	230	50	Hi	75	275	170	558	225	7,946	
			Lo	15	109	-	-	-	-	

* Hi - Notch 5 / Lo - Notch 1



Regulator Control Type

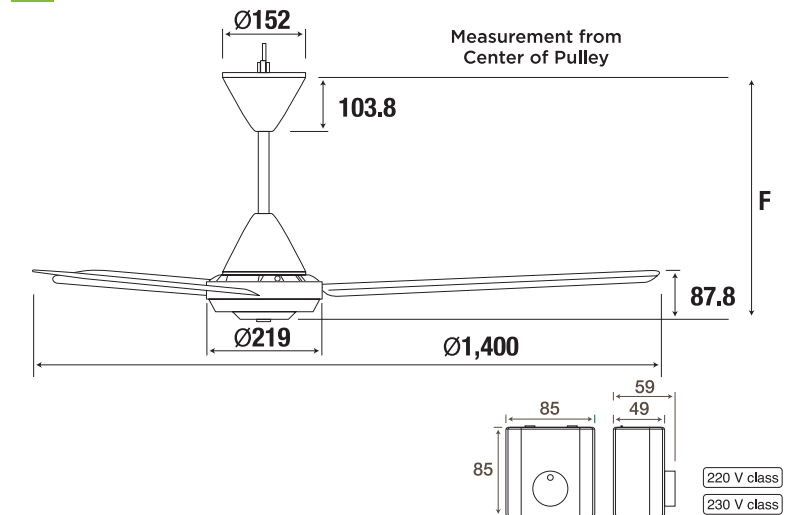
N56RG 140 cm (56")

- Compact size condenser controlled regulator
- 5-speed selection
- Thermal fuse prevent overheating or power surge
- Safety wire provided
- Cut-off safety switch equipped
- Fall prevention of blade adopted
- Permanently lubricated ball-bearing assembly
- SLSI compliance
- Color: Body - White
Cover Mark - Dark Brown



Dimension

Unit : mm



Pipe type	Pipe Length [mm]	F
9 inch	229	375.7
12 inch	305	451.7
16 inch	406	552.7
18 inch	457	603.7
22 inch	559	705.7

Specification

Model No.	Voltage		*	Consumption [W]	RPM [min ⁻¹]	Air Velocity		Air Delivery		Weight [kg]
	[V]	[Hz]				[m/min]	[ft/min]	[m ³ /min]	[ft ³ /min]	
N56RG	220	50	Hi	70	268	165	541	220	7,769	5.6
			Lo	14	103	-	-	-	-	
	230	50	Hi	75	275	170	558	225	7,946	
			Lo	15	109	-	-	-	-	

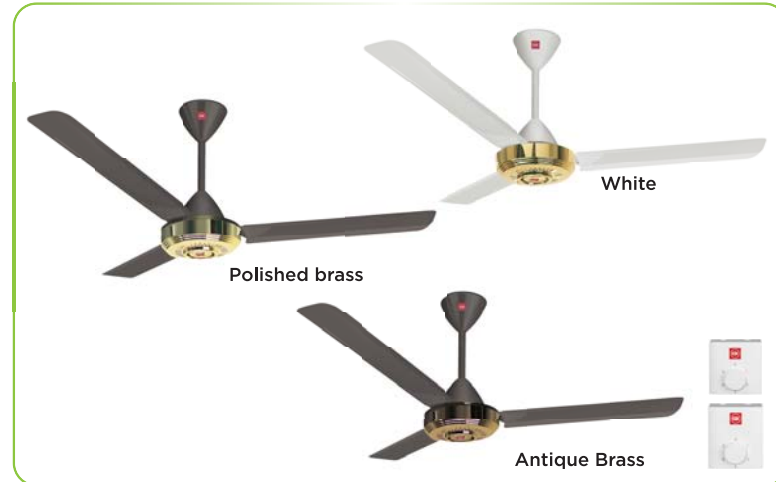
* Hi - Notch 5 / Lo - Notch 1



Regulator Control Type

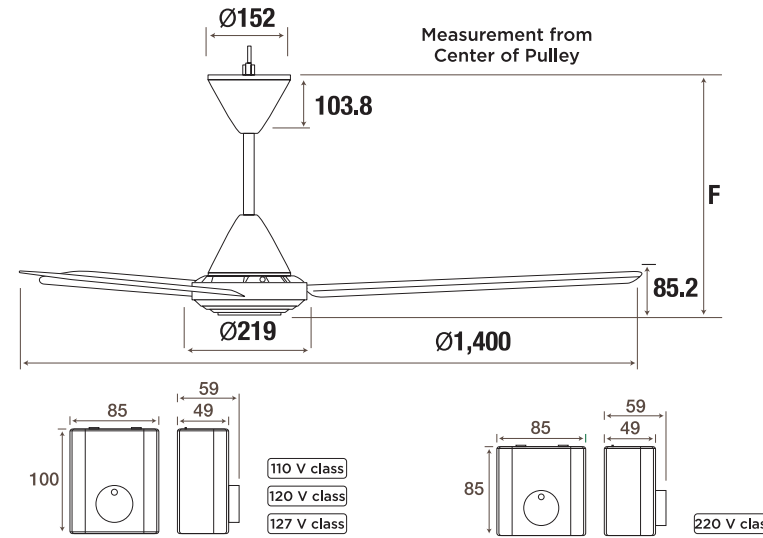
N56YG 140 cm (56")

- Compact size condenser controlled regulator
- 5-speed selection
- Thermal fuse prevent overheating or power surge
- Safety wire provided
- Cut-off safety switch equipped
- Fall prevention of blade adopted
- Permanently lubricated ball-bearing assembly
- Lamp kits adaptable (Lamp kit is not included)
- Color option: Polished Brass with White or Dark Brown body
Antique Brass with Dark Brown Body



Dimension

Unit : mm



Pipe type	Pipe Length [mm]	F
9 inch	229	378.6
12 inch	305	454.6
16 inch	406	555.6
18 inch	457	606.3
22 inch	559	708.6

Specification

Model No.	Voltage		*	Consumption [W]	RPM [min ⁻¹]	Air Velocity		Air Delivery		Weight [kg]
	[V]	[Hz]				[m/min]	[ft/min]	[m ³ /min]	[ft ³ /min]	
N56YG	110	50	Hi	52	236	150	492	195	6,886	5.6
			Lo	12	92	-	-	-	-	
		60	Hi	63	259	165	541	225	7,946	
			Lo	13	97	-	-	-	-	
	120	50	Hi	63	249	155	509	205	7,240	
			Lo	14	101	-	-	-	-	
		60	Hi	78	276	170	558	230	8,122	
			Lo	15	105	-	-	-	-	
	127	50	Hi	62	248	155	509	205	7,240	
			Lo	16	112	-	-	-	-	
		60	Hi	79	278	170	558	230	8,122	
			Lo	17	112	-	-	-	-	
220	50	Hi	62	246	155	509	200	7,063		
		Lo	16	106	-	-	-	-		
	60	Hi	76	268	170	558	225	7,946		
		Lo	17	106	-	-	-	-		

* Hi - Notch 5 / Lo - Notch 1

Regulator Control Type

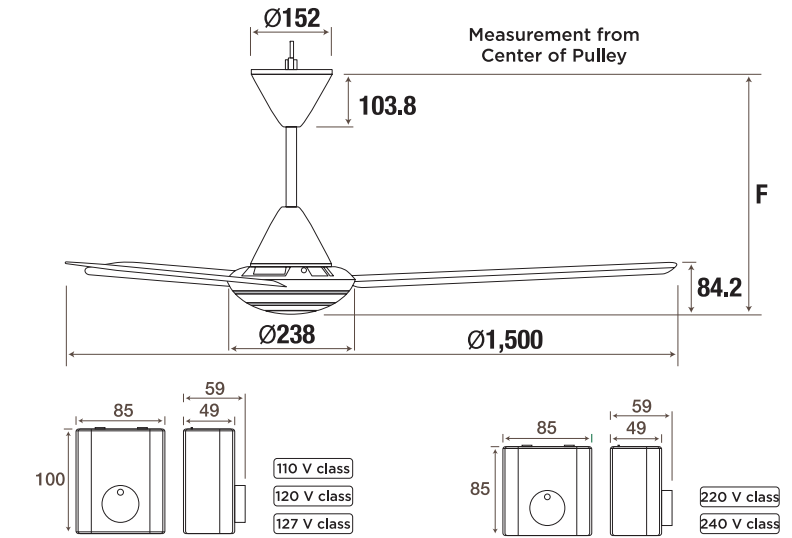
M60XG 150 cm (60")

- Compact size condenser controlled regulator
- 5-speed selection
- Thermal fuse prevent overheating or power surge
- Safety wire provided
- Cut-off safety switch equipped
- Fall prevention of blade adopted
- Permanently lubricated ball-bearing assembly
- Color option: Body - White
Ring - Gloss Silver or Non-gloss Silver



Dimension

Unit : mm



Pipe type	Pipe Length [mm]	F
9 inch	229	375.7
12 inch	305	451.7
16 inch	406	552.7
18 inch	457	603.7
22 inch	559	705.7

Specification

Model No.	Voltage		*	Consumption [W]	RPM [min ⁻¹]	Air Velocity		Air Delivery		Weight [kg]
	[V]	[Hz]				[m/min]	[ft/min]	[m ³ /min]	[ft ³ /min]	
M60XG	110	50	Hi	52	196	125	410	190	6,710	5.7
			Lo	12	84	-	-	-	-	
		60	Hi	63	213	135	443	205	7,240	
			Lo	13	85	-	-	-	-	
	120	50	Hi	61	215	140	459	210	7,416	
			Lo	15	92	-	-	-	-	
		60	Hi	75	235	150	492	225	7,946	
			Lo	15	93	-	-	-	-	
	127	50	Hi	62	220	140	459	210	7,416	
			Lo	17	102	-	-	-	-	
		60	Hi	76	242	155	509	230	8,122	
			Lo	17	99	-	-	-	-	
220	50	Hi	66	225	150	492	215	7,593		
		Lo	15	94	-	-	-	-		
	60	Hi	78	234	155	509	225	7,946		
		Lo	16	92	-	-	-	-		
240	50	Hi	75	240	155	509	230	8,122		
		Lo	17	103	-	-	-	-		

* Hi - Notch 5 / Lo - Notch 1

Regulator Control Type

M60SG / M60WG 150 cm (60")

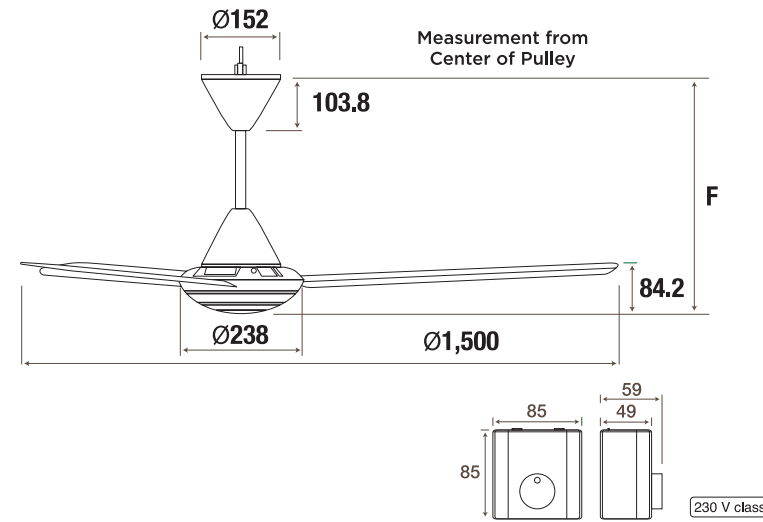
- Compact size condenser controlled regulator
- 5-speed selection
- Thermal fuse prevent overheating or power surge
- Safety wire provided
- Cut-off safety switch equipped
- Fall prevention of blade adopted
- Permanently lubricated ball-bearing assembly
- Color option: Body - White

Ring - White (for both SG / WG model) or
Non-gloss Silver (for SG model)
Body - Black (for SG model)
Ring - Black



Dimension

Unit : mm



Pipe type	Pipe Length [mm]	F
9 inch	229	375.7
12 inch	305	451.7
16 inch	406	552.7
18 inch	457	603.7
22 inch	559	705.7

Specification

Model No.	Voltage		*	Consumption [W]	RPM [min ⁻¹]	Air Velocity		Air Delivery		Weight [kg]
	[V]	[Hz]				[m/min]	[ft/min]	[m ³ /min]	[ft ³ /min]	
M60SG	230	50	Hi	71	233	160	525	225	7,946	5.7
			Lo	16	97	-	-	-	-	
M60WG	230	50	Hi	71	233	160	525	225	7,946	5.2
			Lo	16	97	-	-	-	-	

* Hi - Notch 5 / Lo - Notch 1



Comparison

Category	Direct Current Type				Wireless Remote Control Type						Regulator Control Type							
Model	U60FW	U48FP	T60AW	T60DW W56WV	V56VK	Z60WS	S56XV R56SV	U56PR	M56XR M56PR M56SR M56QR	R48SP	S44XU M11SU	T48XC T56XC	N48LG M48XG M56XG M60XG	N48XG N56LG M56LG	N56YG	M48SG M60SG M48WG M60WG	M56RG N56RG	
	Features																	
Multi-level Safety Protection	Thermal Safety Fuse	✓	✓	✓	✓	✓	✓	✓	✓	✓	✓	✓	✓	✓	✓	✓	✓	✓
	Safety Wire	✓	✓	✓	✓	✓	✓	✓	✓	✓	✓	✓	✓	✓	✓	✓	✓	✓
	Cut-off Safety Switch	✓	✓	✓	✓	✓	✓	✓	✓	✓	✓	✓	✓	✓	✓	✓	✓	✓
	Fall Prevention of Blade	✓	✓	✓	✓	✓	✓	✓	✓	✓	✓	✓	✓	✓	✓	✓	✓	✓
Wobbling Reduction Mechanism												✓						
Auto Mode (Thermal Sensor) Auto Mode (Thermal Sensor)				✓	✓													
3D Blade	✓	✓	✓	✓	✓	✓	✓											
PPG Material Blade	✓	✓	✓	✓	✓	✓	✓			✓								
Sleep Mode	✓	✓	✓	✓	✓	✓	✓	✓	✓	✓	✓							
On Timer	✓	✓	✓	✓														
Off Timer	✓	✓	✓	✓	✓	✓	✓	✓	✓	✓	✓							
1/f Yuragi	✓	✓	✓	✓	✓	✓	✓											
LCD Remote Control	✓	✓	✓	✓	✓	✓												
LED Lamp					✓													
LED Lighting	✓	✓																
Selectable Light Color	✓																	
LED Indicator								✓	✓									
Compact Regulator																✓	✓	
Slim Panel Regulator																✓	✓	