



SINCE 1909  
JAPAN

# CEILING

W56WV

140cm(56")

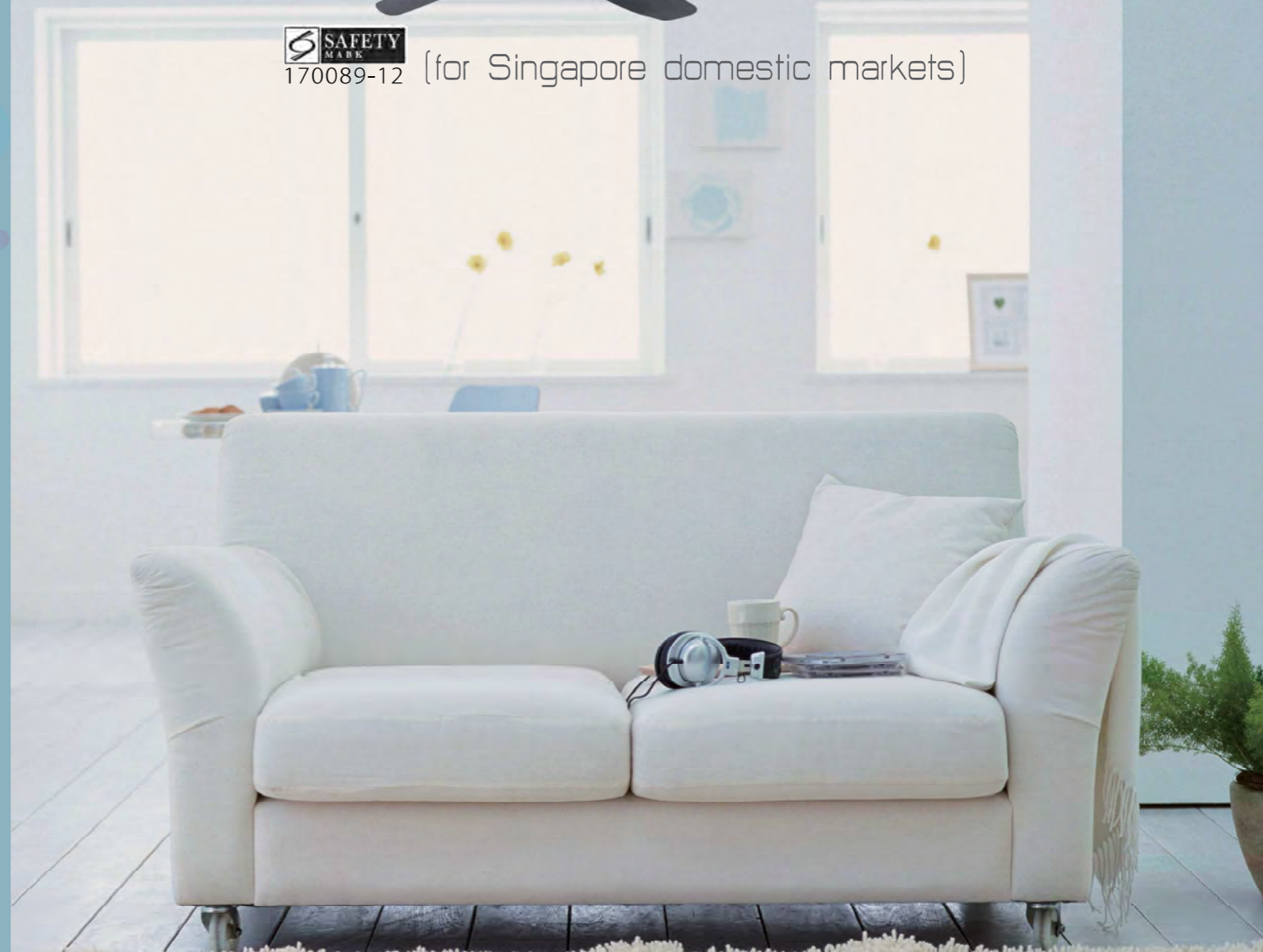


# FAN



170089-12

(for Singapore domestic markets)



SINCE 1909  
JAPAN

Sole agent :  
Capital Distributors (S) Pte Ltd  
9 Tagore Lane #02-31 to 33  
9@ Tagore, Singapore 787472  
Tel: (65) 6288 9190  
Fax: (65) 6288 5869  
E-mail: sales@capital.com.sg  
Website: www.kdk.sg

• Actual colors may vary slightly from those shown.  
• Specifications are subject to change without prior notice.

CATALOG NO: K-SGCF002E1  
Printed in China 05,18

KDK Company, Division of PES  
4017, Takaki-cho, Kasugai, Aichi, Japan  
<http://kdk.jp>

# INDEX

Introduction	P.1
Reliability	P.2-4
Performance	P.5-7
Design	P.8
Control	P.9
Production Information	
- Direct Current (DC) Motor Type	P.10-14
- Wireless Remote Control Type	P.15-20
- Regulator Control Type	P.21-22
Comparison	P.23
Specification	P.24

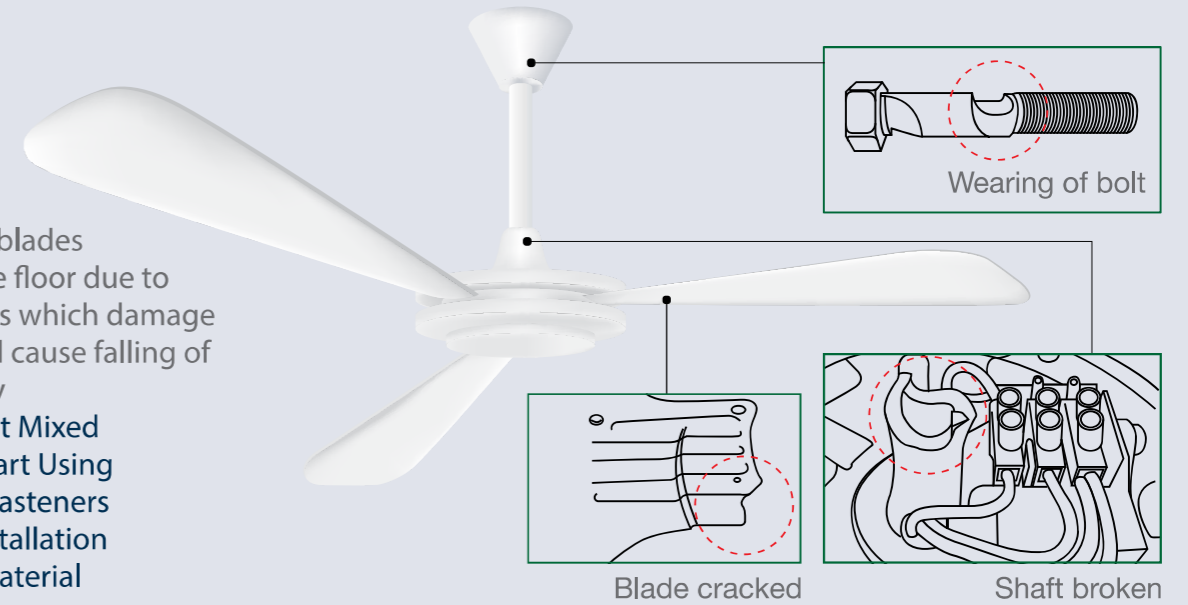
# RELIABILITY

High Reliability is Important For You

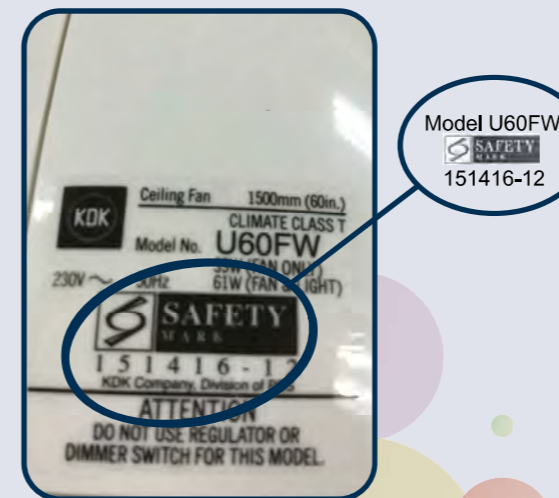
## Potential Safety Problems

The fan or its blades may fall to the floor due to various factors which damage to the fan and cause falling of fan eventually

- Deferred Part Mixed
- Substitute Part Using
- Wearing of Fasteners
- Incorrect Installation
- Fatigue of Material



## SPRING Singapore Safety Mark



Singapore KDK models that come with Capital Distributors warranty are registered with SPRING Singapore's Consumer Protection (Safety Requirements) Registration Scheme, which certifies that our products meet stringent safety standards and are safe for use in your home.

# RELIABILITY

High Reliability is Important For You

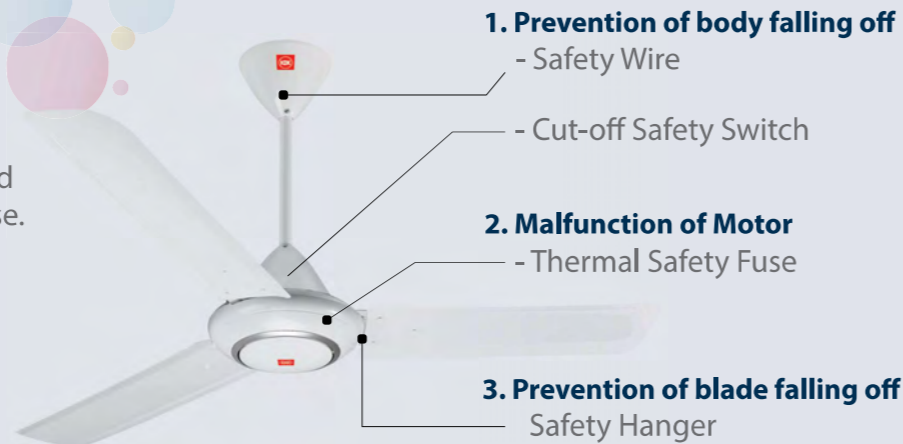
## Safety Policy By KDK

### Preventive Measures For Premium Safety

Our aim is to minimize and reduce the accidents happened; thus, the safety policy by KDK must be carried out to prevent any dangerous misuse.

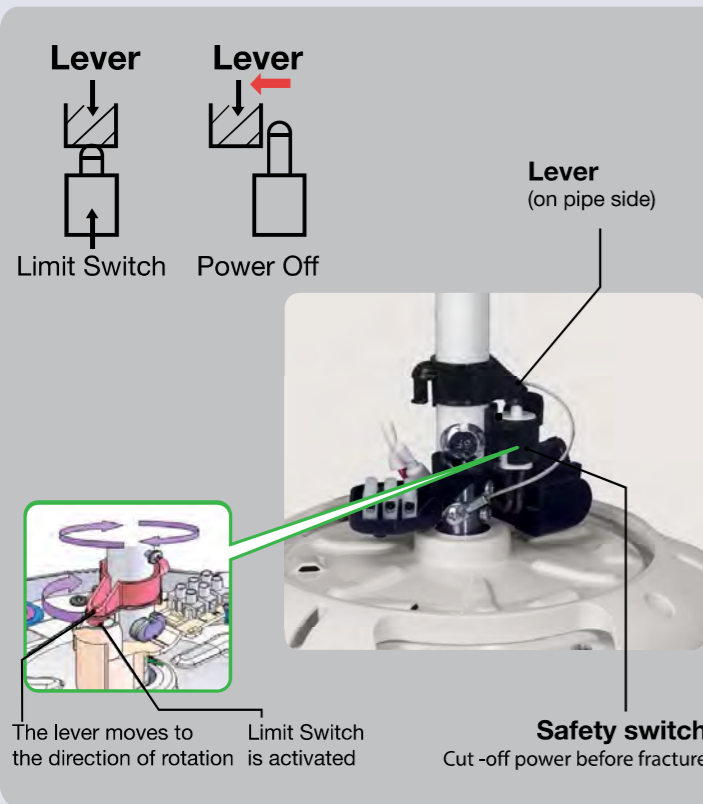
**PATENTED**  
ENHANCED  
**SAFETY DESIGN**

Patents registration in Japan, The United States, China, India, Malaysia & Vietnam.



## A New Dimension of Protection Secure Your Safety Wholly

### Cut-off Safety Switch (Regulator Control Type)



#### Problem

In case there is any wear at either the shaft or the bolt, abnormal wobbling of fan will occur as it runs. The wear will be further enlarged if the fan continues to operate, and the part or fastener will be broken eventually.

#### Our solution

Cut-off safety switch is equipped to cut off power supply while dangerous wear and tear of the shaft or bolt are detected.

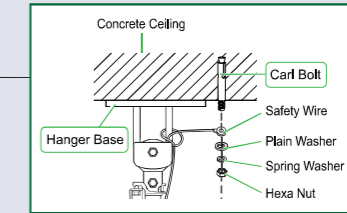
As abnormal wobbling occurs, the level will detach from the switch and the fan will stop. It will prevent further wear to the damaged part. It can minimize the fracture of the part that reduces the possibility of falling of fan.

## Safety Measure for Remote Control Type Example: T60DW

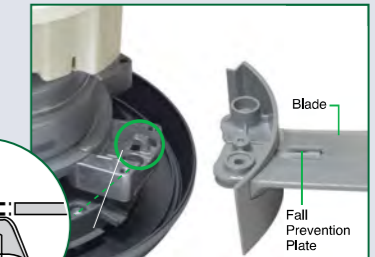
### Cut-off Safety Switch



### Safety Wire



### Fall Prevention Plate



# Safety wire setting method varies subject to different models

Safety Hook locks the Fall Prevention Plate firmly

### Safety Hanger (Regulator Control Type)

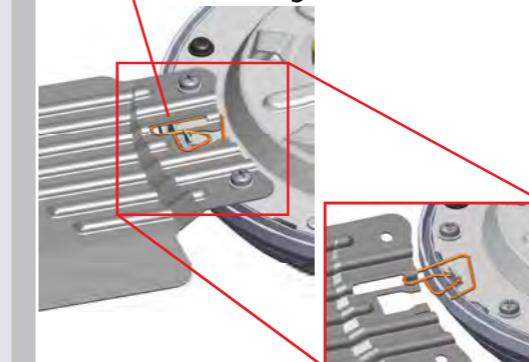
#### Problem

Blade fins may fall from the fan motor in case fatigue of material occurs.

#### Our solution

An exclusively designed fall prevention hanger equipped. This mechanism secures against falling of blades caused by damaging wear.

### Fall Prevention Hanger



The hanger hooks the blade as it detaches from the screws

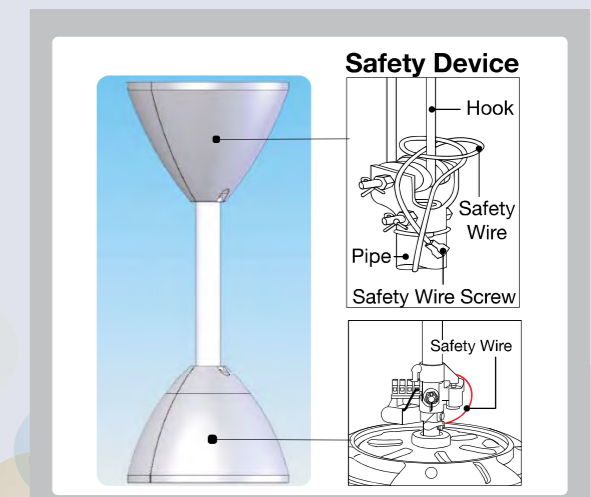
### Safety Wire (Regulator Control Type)

#### Problem

Fan motor may fall from the pipe rod accidentally whatever any factors, such as wearing of shaft bolt, etc.

#### Our solution

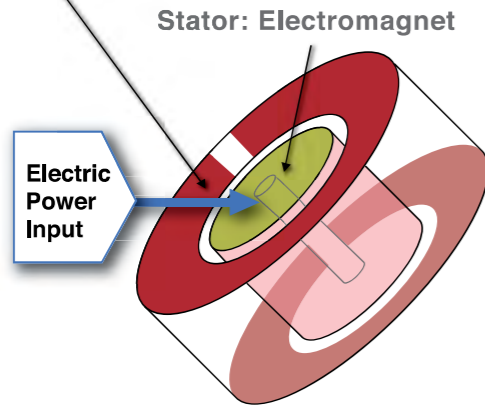
Safety wire is adopted to secure the fan motor with the ceiling hook that prevents falling of the motor when detaching of the fan motor from the pipe rod occurs.



## Direct Current Motor

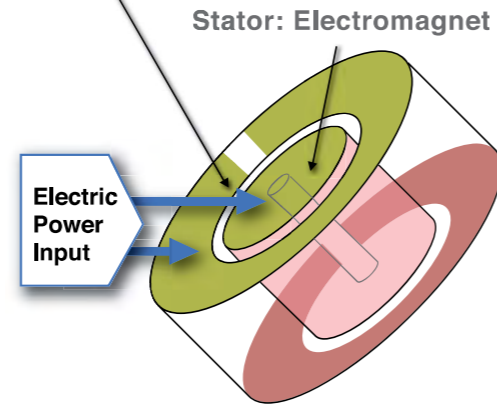
Newly developed direct current (DC) motor are adopted in these fans. Power consumption is reduced as compared with alternative current (AC) motor that energy saving is achieved. DC motor has lighter weight compared with conventional AC motor, that allows easy handling for DC ceiling fan.

**DC MOTOR** Direct Current (DC) Motor  
Rotor: Permanent Magnet



Electric power input is required for stator only

Alternative Current (AC) Motor  
Rotor: Electromagnet



Electric power input is required for both rotor and stator

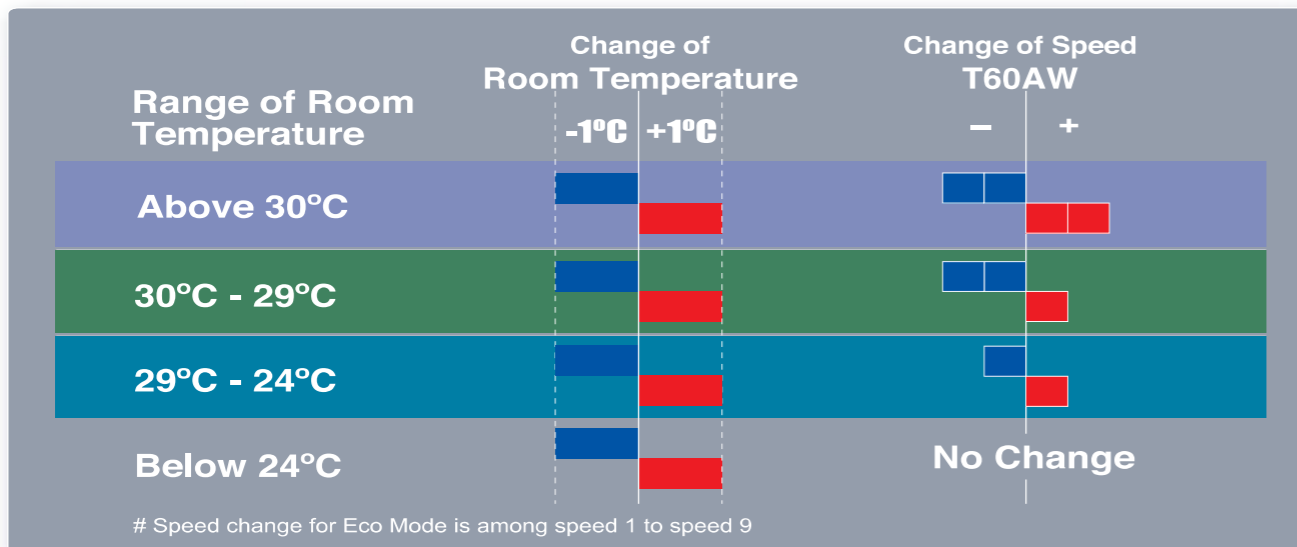
	Motor Type	Power Consumption [W]
<b>T60AW</b>	DC	39
<b>Other Brand</b>	AC	94
		59% reduced

As of 230V 50Hz

## Auto Mode with Eco Mode Function (T60AW only)

T60AW is equipped with temperature sensor. Incorporated with Eco Mode Function, the innovative Auto Mode function is enhanced. This function controls the fan to generate the most comfortable air velocity to human body subject to the change of room temperature.

The sensor monitors the surrounding temperature change and air velocity will vary automatically in accordance to below table.

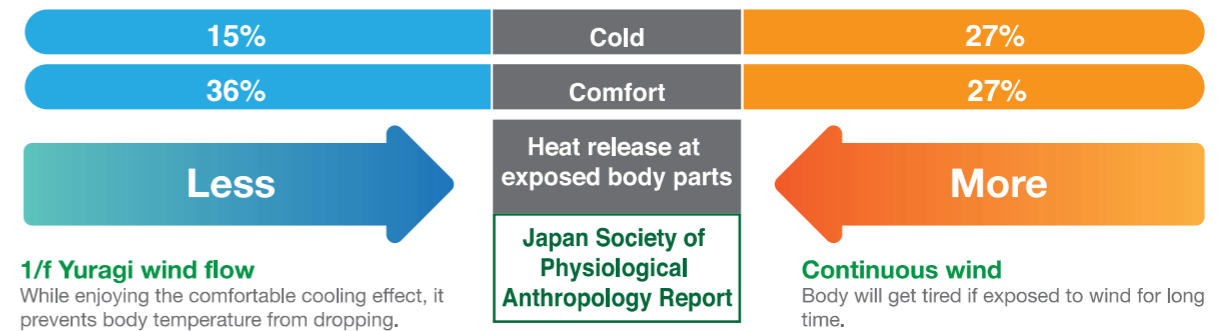


## 1/f yuragi

By our sophisticated formula - 1/f Yuragi, in varying air velocity and controlling wind force; its fluctuating pattern is presenting you a peaceful and comfortable breeze. Incorporated with this human-concerned technology, this kind of rhythm also maintains your external body temperature, and keeps you in a better and relaxing physical condition.

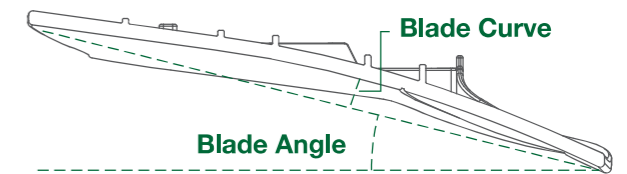
	Decline of body temperature	Pleasure
<b>With 1/f Yuragi function</b>	Body temperature which suitable for human body will not drop easily.	<b>Near the nature wind</b> · Natural feeling when change of wind velocity. · Will not feel tired easily after a long time usage.
<b>Without 1/f Yuragi function</b> (Rhythm random mode)	Body temperature which suitable for human body will drop after long period of time.	<b>Human made wind</b> · Might provide anxious feeling when there is a change of wind velocity.

### Comment after 20 minutes usage

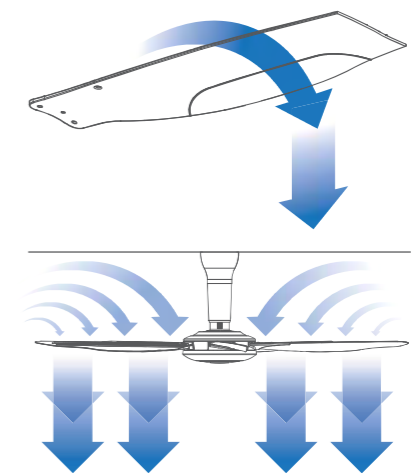


## 3D Blade

With the exclusive and unique 3D blade design, it provides a smooth and strong air flow while maintaining operating noise in low level.



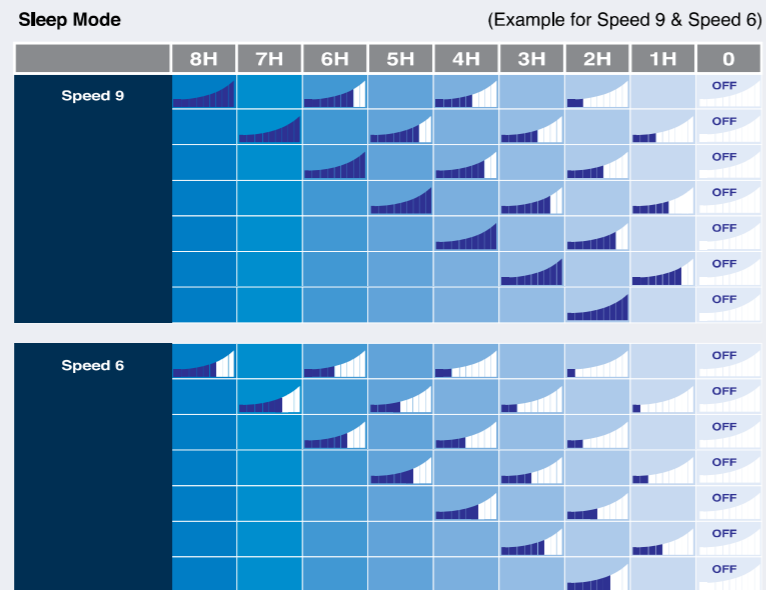
3D curve design in the center of blade effectively caught the air.



## Sleep Mode

These fans are equipped with Sleep Mode, by which fan speed and timer gradually go down until the fan is off. This function not only creates an optimal sleeping environment to you, but also enhances energy saving as well.

### Example: T60AW(Speed 9 & Speed 6)

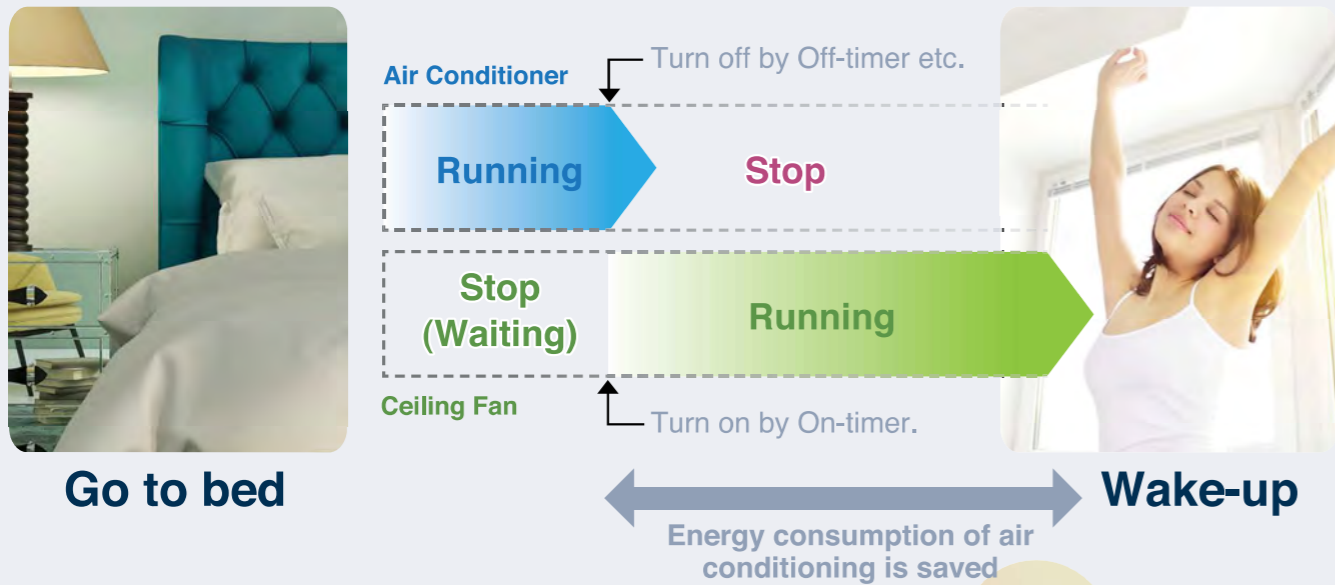


**NOTE:**

1. Sleep mode function is disabled at speed 1 and 1 hour setting.
2. Operation pattern will be different subject to different model and setting, please refer to the operation instruction for detail.

## On Timer

On Timer can be incorporated with air conditioner to realize economy and comfortable operation. It can minimize excessive cold feeling and save power consumption during your sleep.



## DESIGN

Beside different color options, advanced design can enrich your home with contemporary style. Incorporated with modern outlook, KDK ceiling fans match your decor perfectly.

## LED Lighting

For U48FP and U60FW

The LED light has different brightness or colors selection. Incorporated with the contemporary interior, they can foster a charming atmosphere to the room.



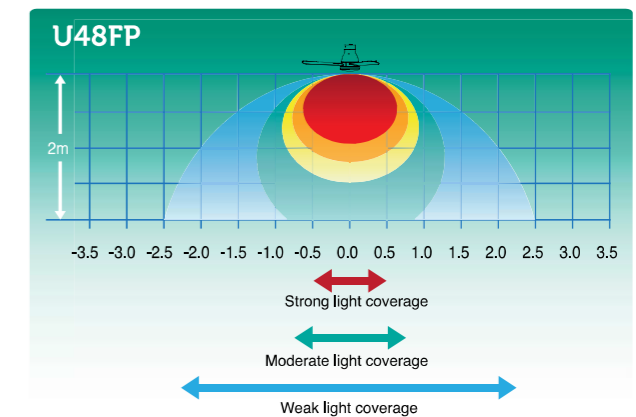
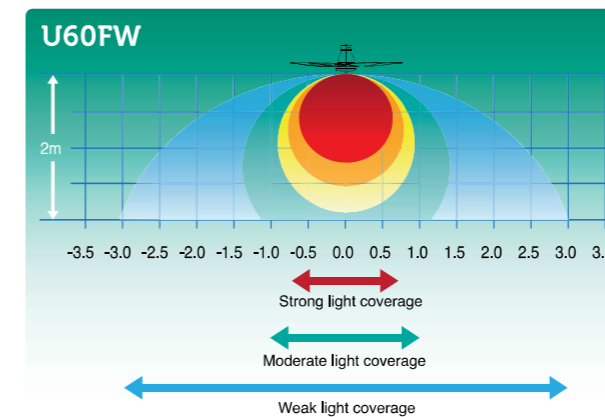
**U60FW**  
White Lamp



**U60FW/U48FP**  
Cool Daylight Lamp



**U60FW**  
Warm Lamp (Medium/Low)



Actual brightness may vary slightly from time to time.

## LED Specifications

	U60FW	U48FP
<b>Power Consumption (Light only)</b>	22W	18W
<b>LED Brightness</b>	MAX: 200 lx (White Color)	MAX: 150 lx (Cool Daylight Color)
	Middle: 150 lx (Cool Daylight, Warm Color)	Middle: 75 lx (Cool Daylight Color)
	Low: 3 lx (Low Warm Color)	Low: 3 lx (Cool Daylight Color)

# CONTROL

Remote controller always provides users a great convenience during the operation of the ceiling fan. There are two types of controller: Wireless remote controller and wired regulator.

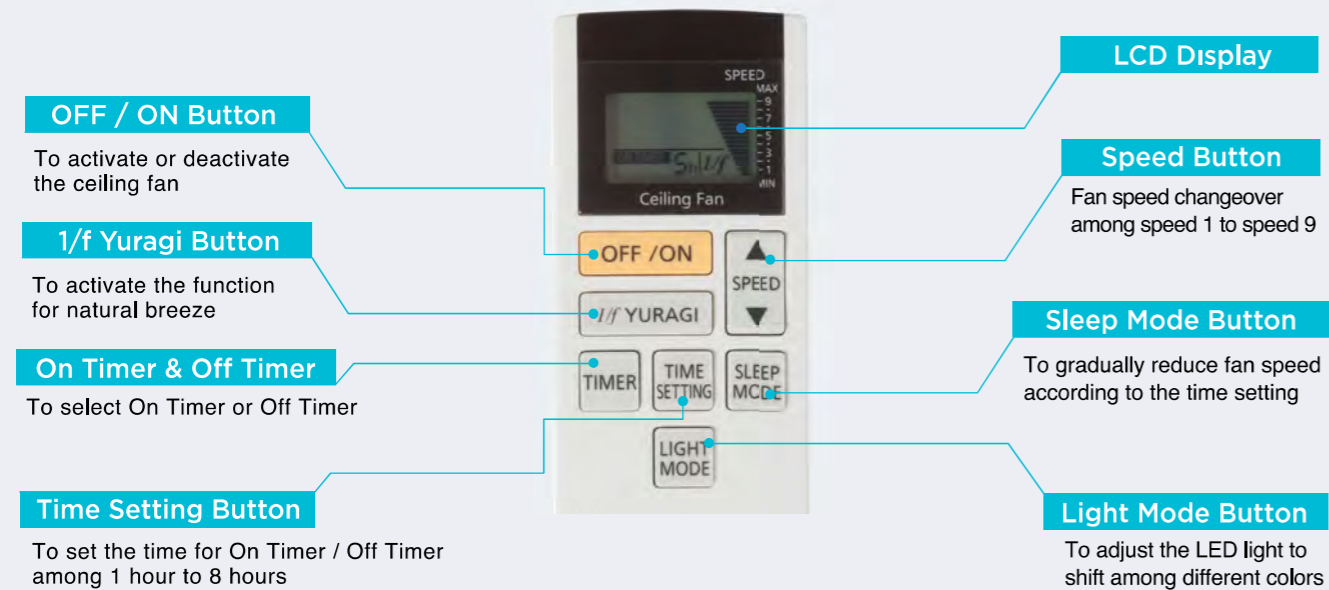
## Remote Controller

For remote control type, all functions can be operated by the hand-held remote controller unit. With the LCD display, you can recognize the setting in a glance that provides great convenience and ease for you (DC Motor Type, V56VK and Z60WS). For regulator control type, you can select your preferable air delivery by simply adjust the compact-sized regulator.

### Wireless Remote Control Type

Beside all functions can be operated by simply using the LCD remote control, you can also recognize the setting in a glance with the clear display of speed, timer and mode selection at the LCD panel. It provides great convenience and ease for you for operating the fan.

Example: U60FW remote control



### Regulator Control Type

On/Off and speed notch can be selected by simply adjusting the rotary switch of the wall-mounted regulator.

Example: M48SG



5 notches speed/Off

# PRODUCT INFORMATION

## Direct Current(DC) Motor Type

SAFETY MARK  
170089-12

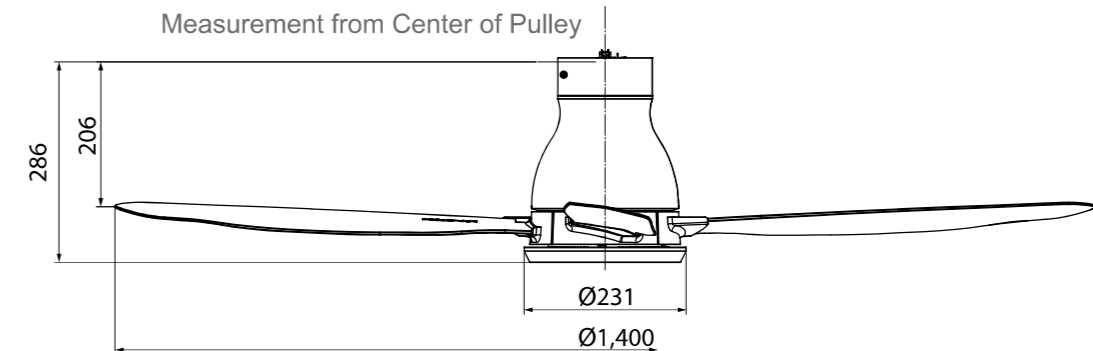


- Direct current (DC) motor adopted
- 1/f Yuragi function
- 3D blade delivers smooth and strong airflow
- PPG blade material for durability
- LCD wireless remote control
- 9-speed control
- Sleep mode with On timer & Off timer
- Equipped with safety device
- Blade safety plate and safety wire attached
- Colour: Black, White

## W56WV 140cm (56")

### Dimension

Unit : mm



### Specification

Model No.	Voltage [V]	-	Consumption [W]	RPM [min <sup>-1</sup> ]	Air Velocity		Air Delivery		Weight [kg]
					[m/min]	[ft/min]	[m <sup>3</sup> /min]	[ft <sup>3</sup> /min]	
W56WV	230	Hi	39	228	180	591	220	7,769	4.9
		Lo	3	80	-	-	-	-	

## Direct Current(DC) Motor Type



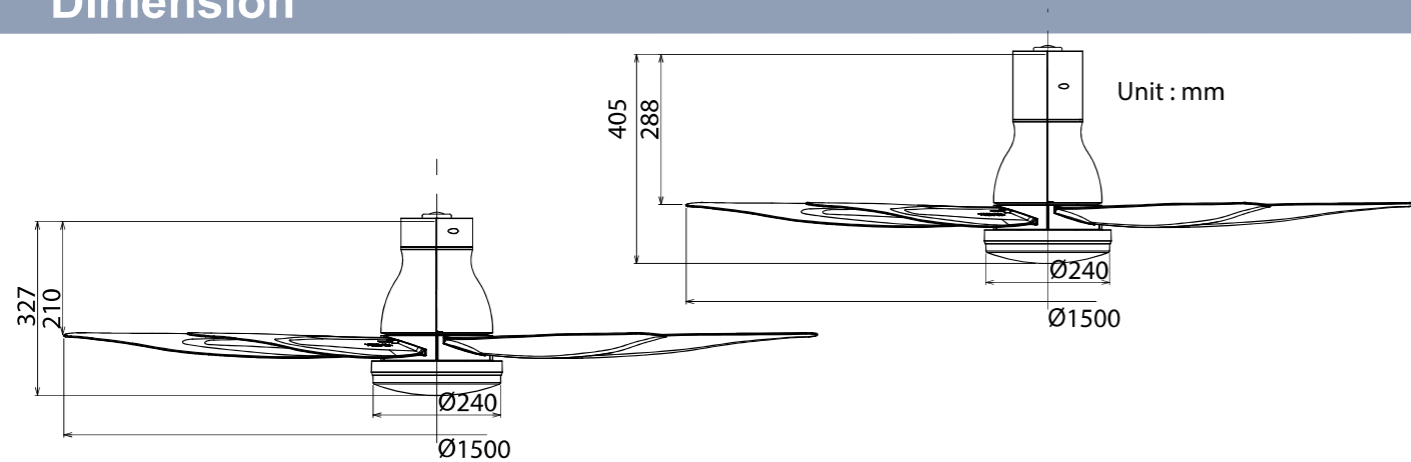
- Dual function : Fan and Light
- Direct Current(DC) motor adopted
- Selectable light color (White/Daylight/Warm)
- 1/4 Yuragi Function
- 3D blade delivers smooth and strong airflow
- PPG Blade material for durability
- LCD wireless remote control
- 9-speed control
- Sleep mode with On timer & Off timer
- Equipped with safety device
- Blade safety plate and safety wire attached
- Color: Black ,White
- Pipe length: Long or Short



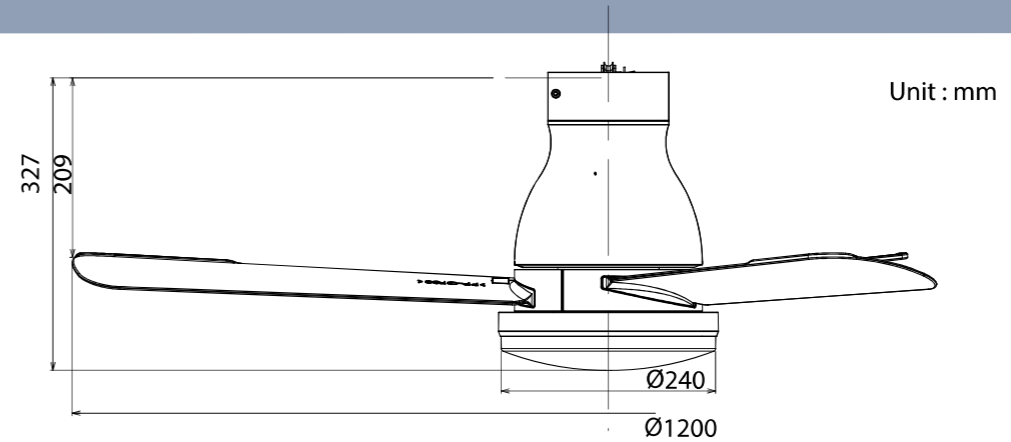
- Dual function : Fan and Light
- Direct Current(DC) motor adopted
- 1/4 Yuragi Function
- 3D blade delivers smooth and strong airflow
- PPG Blade material for durability
- LCD wireless remote control
- 9-speed control
- Sleep mode with On timer & Off timer
- Equipped with safety device
- Blade safety plate and safety wire attached
- Color: Black or White

### U60FW 150cm (60")

#### Dimension



### U48FP 120cm (48")



#### Specification

Model No.	Voltage		Consumption [W]		RPM [min <sup>-1</sup> ]	Air Velocity		Air Delivery		Weight [kg]
	[V]	[Hz]	Fan	Fan+Light		[m/min]	[ft/min]	[m <sup>3</sup> /min]	[ft <sup>3</sup> /min]	
U60FW	230	50	39	61	230	205	673	240	8,476	Short Pipe: 6.0 Long Pipe: 6.2

Model No.	Voltage		Consumption [W]		RPM [min <sup>-1</sup> ]	Air Velocity		Air Delivery		Weight [kg]
	[V]	[Hz]	Fan	Fan+Light		[m/min]	[ft/min]	[m <sup>3</sup> /min]	[ft <sup>3</sup> /min]	
U48FP	230	50	27	45	235	180	590	182	6,427	4.9

## Direct Current(DC) Motor Type



- Direct current (DC) motor adopted
- Auto mode with Eco Mode function by temperature sensor
- 1/f Yuragi function
- 3D blade delivers smooth and strong airflow
- PPG blade material for durability
- LCD wireless remote control
- 9-speed control
- Sleep mode with On timer & Off timer
- Equipped with safety device
- Blade safety plate and safety wire attached

**DC MOTOR**  
1/f yuragi



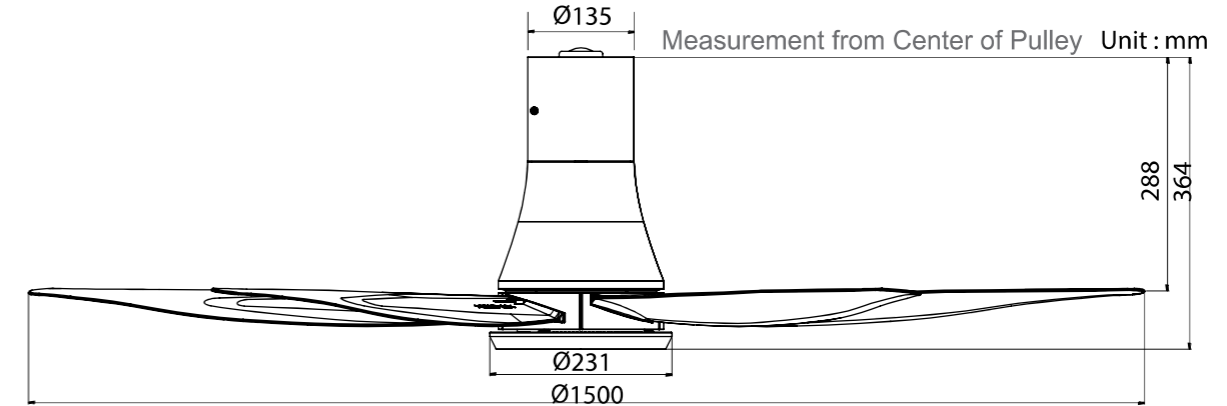
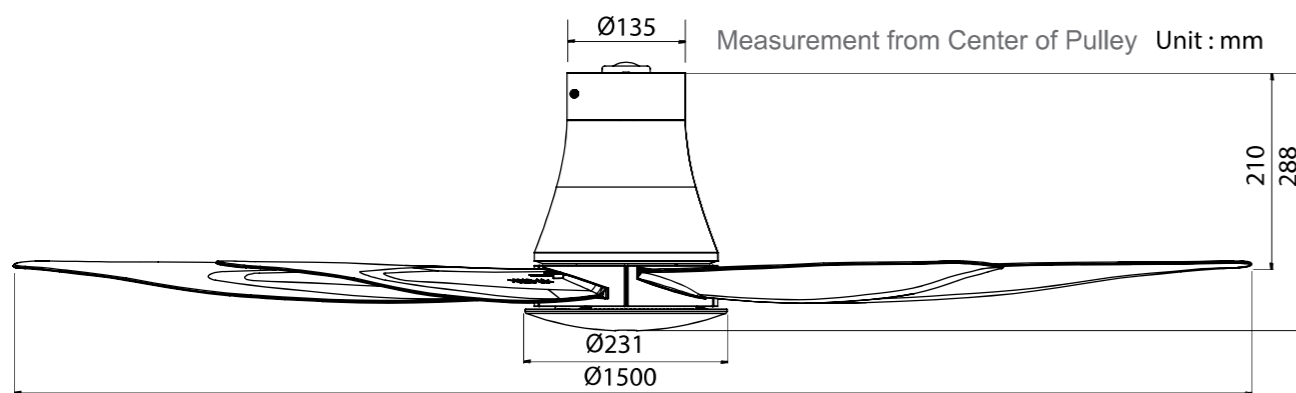
- Direct current (DC) motor adopted
- 1/f Yuragi function
- 3D blade delivers smooth and strong airflow
- PPG blade material for durability
- LCD wireless remote control
- 9-speed control
- Sleep mode with On timer & Off timer
- Equipped with safety device
- Blade safety plate and safety wire attached

**DC MOTOR**  
1/f yuragi

**T60AW** 150cm (60")

**T60DW** 150cm (60")

### Dimension



### Specification

Model No.	Voltage [V]	*	Consumption [W]	RPM [min <sup>-1</sup> ]	Air Velocity		Air Delivery		Weight [kg]
					[m/min]	[ft/min]	[m <sup>3</sup> /min]	[ft <sup>3</sup> /min]	
T60AW	230	Hi	39	230	205	673	240	8,476	5.1
		Lo	3	80	-	-	-	-	

\*Hi - Notch 9 / Lo- Notch 1

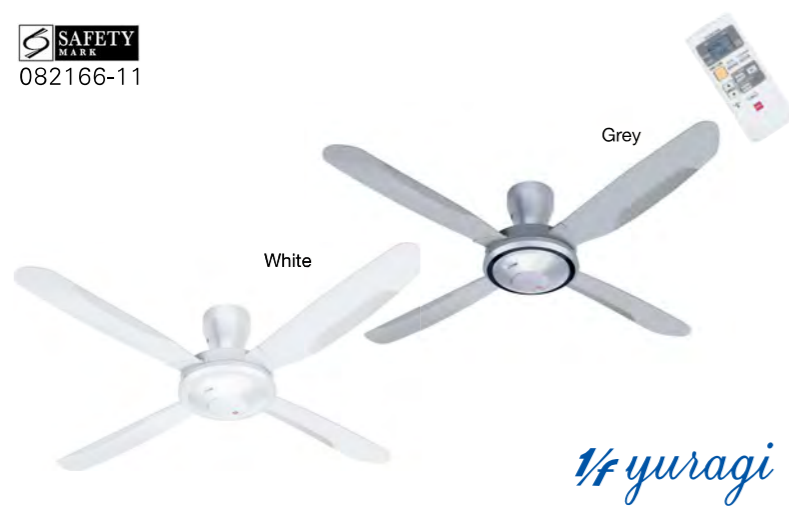
Model No.	Voltage [V]	*	Consumption [W]	RPM [min <sup>-1</sup> ]	Air Velocity		Air Delivery		Weight [kg]
					[m/min]	[ft/min]	[m <sup>3</sup> /min]	[ft <sup>3</sup> /min]	
T60DW	230	Hi	39	230	205	673	240	8,476	4.9
		Lo	3	80	-	-	-	-	

\*Hi - Notch 9 / Lo- Notch 1



## Wireless Remote Control Type

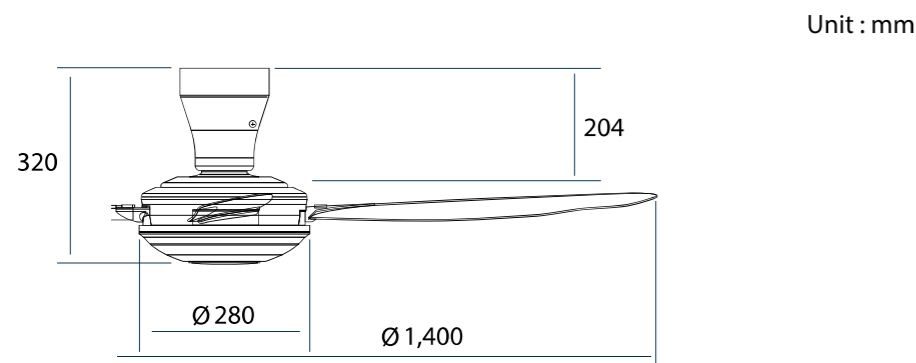
SAFETY MARK  
082166-11



- Temperature sensor for auto airflow adjustment
- LED illumination lamp equipped
- 1/f Yuragi function
- 3D blade delivers smooth and strong airflow
- PPG blade material for durability
- LCD wireless remote controller
- 5 speed control
- Sleep mode
- 8-hour off timer
- Equipped with cut-off safety device
- Blade safety plate attached
- Safety wire adopted

**V56VK** 140cm (56")

### Dimension

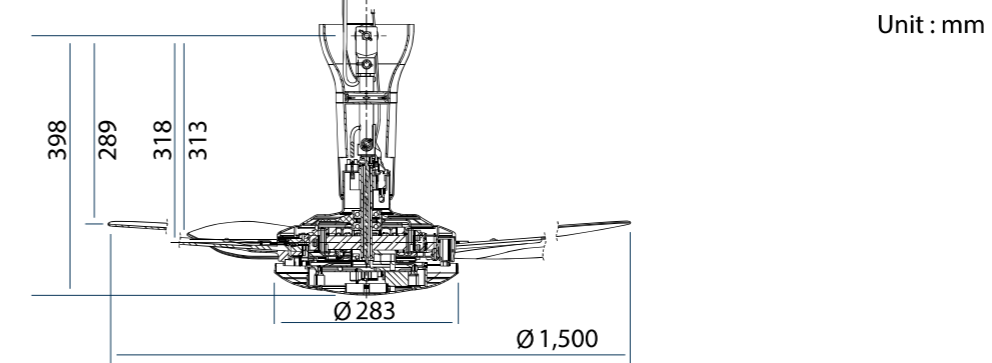


SAFETY MARK  
141718-12



- 1/f Yuragi function
- 3D blade delivers smooth and strong airflow
- PPG blade material for durability
- LCD wireless remote controller
- 7 speed control
- Sleep mode
- 8-hour off timer
- Equipped with cut-off safety device
- Blade safety plate attached
- Safety wire adopted

**Z60WS** 150cm (60")



### Specification

Model No.	Voltage		*	Consumption [W]	RPM [min <sup>-1</sup> ]	Air Velocity		Air Delivery		Weight [kg]
	[V]	[Hz]				[m/min]	[ft/min]	[m <sup>3</sup> /min]	[ft <sup>3</sup> /min]	
V56VK	230	50	Hi	77	195	180	591	220	7,769	6.4
			Lo	20	89	-	-	-	-	

\* Hi - Notch 5 / Lo - Notch 1

Model No.	Voltage		*	Consumption [W]	RPM [min <sup>-1</sup> ]	Air Velocity		Air Delivery		Weight [kg]
	[V]	[Hz]				[m/min]	[ft/min]	[m <sup>3</sup> /min]	[ft <sup>3</sup> /min]	
Z60WS	230	50	Hi	87	192	201	659	235	8,299	8
			Lo	24	86	-	-	-	-	

\* Hi - Notch 7 / Lo - Notch 1

# PRODUCT INFORMATION

## Wireless Remote Control Type

SAFETY MARK  
130442-11

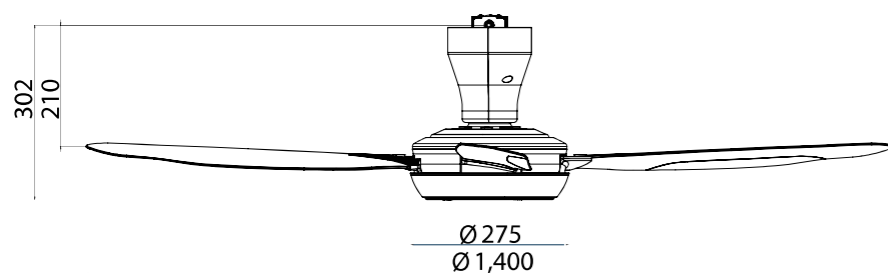


- 1/f Yuragi function
- 3D blade delivers smooth and strong airflow
- PPG blade material for durability
- LED light indicators for OFF Timer & 1/f Yuragi function
- Handheld remote controller
- 5 speed control
- Sleep mode
- 6-hour off timer
- Equipped with cut-off safety device
- Blade safety plate attached
- Safety wire adopted

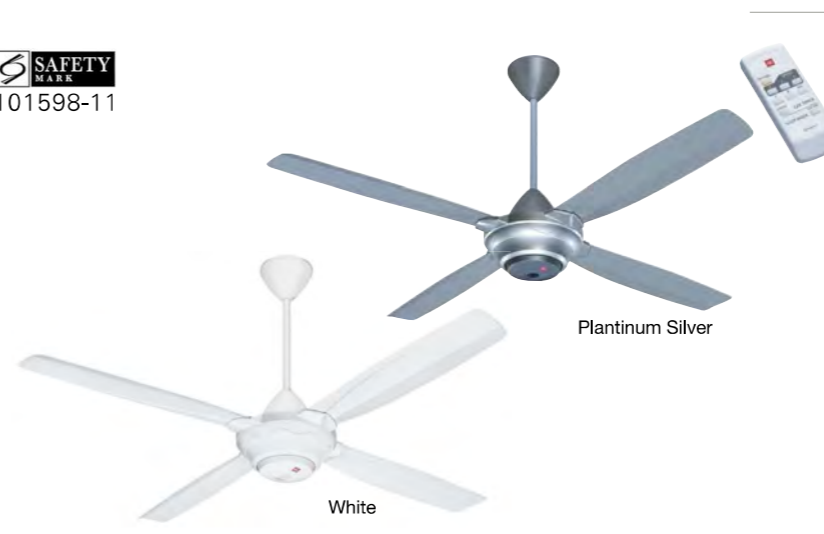
**R56SV** 140cm (56")

### Dimension

Unit : mm



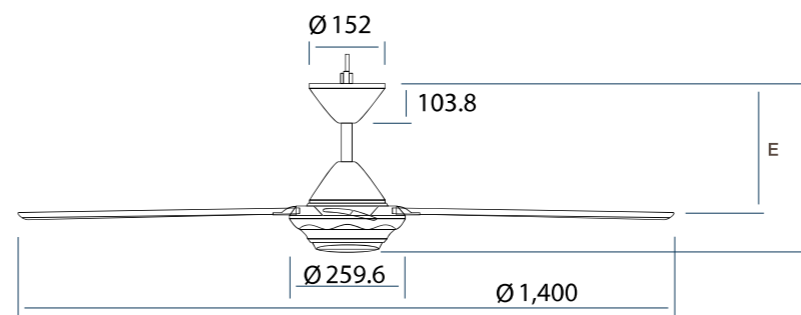
SAFETY MARK  
101598-11



- Wireless remote controller
- 3 speed selection
- 1, 3, 6 hours timer
- Sleep mode
- Thermal fuse prevent overheating or power surge
- Safety wire provided
- Cut-off safety switch equipped
- Fall prevention of blade adopted
- Permanently lubricated ball-bearing assembly

**M56SR** 140cm (56")

Unit : mm



Pipe type	Pipe Length [mm]	E	F
9 inch	229	332.5	430.0
12 inch	305	408.5	506.0
18 inch	457	560.5	658.0

## Specification

Model No.	Voltage		*	Consumption [W]	RPM [min <sup>-1</sup> ]	Air Velocity		Air Delivery		Weight [kg]
	[V]	[Hz]				[m/min]	[ft/min]	[m <sup>3</sup> /min]	[ft <sup>3</sup> /min]	
R56SV	230	50	Hi	74	215	180	591	220	7,769	6.4
			Lo	18	98	-	-	-	-	

\* Hi - Notch 5 / Lo - Notch 1

Model No.	Voltage		*	Consumption [W]	RPM [min <sup>-1</sup> ]	Air Velocity		Air Delivery		Weight [kg]
	[V]	[Hz]				[m/min]	[ft/min]	[m <sup>3</sup> /min]	[ft <sup>3</sup> /min]	
M56SR	230	50	Hi	64	192	155	509	190	6,710	6.9
			Lo	20	92	-	-	-	-	

\* Hi - Notch 3 / Lo - Notch 1

## Wireless Remote Control Type

**SAFETY MARK**  
130430-11

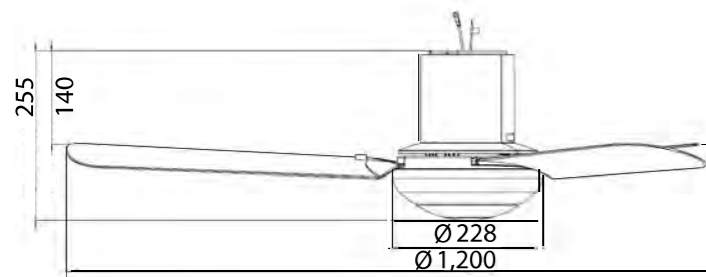


- Wireless remote controller
- 3-speed selection
- 1, 3, 6 hours timer
- Sleep mode
- PPG blade material for durability
- Thermal fuse prevent overheating or power surge
- Safety wire provided
- Cut-off safety switch equipped
- Fall prevention of blade adopted
- Permanently lubricated ball-bearing assembly

**R48SP 120cm (48")**

### Dimension

Unit : mm



**SAFETY MARK**  
140872-11

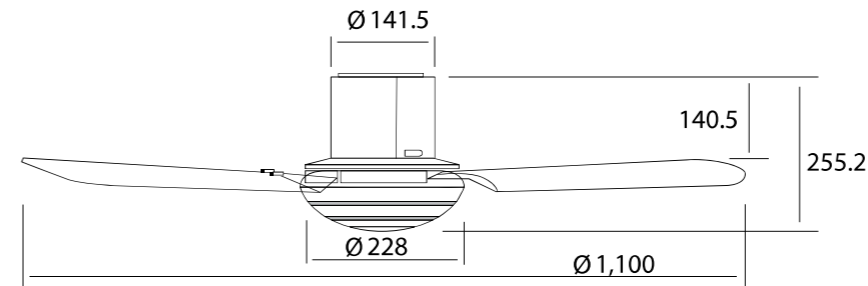


- Wireless remote controller
- 3-speed selection
- 1, 3, 6 hours timer
- Sleep mode
- PPG blade material for durability
- Thermal fuse prevent overheating or power surge
- Safety wire provided
- Cut-off safety switch equipped
- Fall prevention of blade adopted
- Permanently lubricated ball-bearing assembly

**M11SU 110cm (44")**

### Dimension

Unit : mm



## Specification

Model No.	Voltage		*	Consumption [W]	RPM [min <sup>-1</sup> ]	Air Velocity		Air Delivery		Weight [kg]
	[V]	[Hz]				[m/min]	[ft/min]	[m <sup>3</sup> /min]	[ft <sup>3</sup> /min]	
R48SP	230	50	Hi	60	237	175	574	170	6,003	5.5
			Lo	20	194	-	-	-	-	

\* Hi - Notch 3 / Lo - Notch 1

Model No.	Voltage		*	Consumption [W]	RPM [min <sup>-1</sup> ]	Air Velocity		Air Delivery		Weight [kg]
	[V]	[Hz]				[m/min]	[ft/min]	[m <sup>3</sup> /min]	[ft <sup>3</sup> /min]	
M11SU	230	50	Hi	54	220	190	623	160	5,650	5.1
			Lo	20	115	-	-	-	-	

\* Hi - Notch 3 / Lo - Notch 1

## Regulator Control Type

SAFETY MARK  
101595-11

SAFETY MARK  
101596-11



White

Black

- Compact size condenser controlled regulator
- 5-speed selection
- Thermal fuse prevent overheating or power surge
- Safety wire provided
- Cut-off safety switch equipped
- Fall prevention of blade adopted
- Permanently lubricated ball-bearing assembly
- Color: White or Black (M48SG only)

SAFETY MARK  
101599-11

SAFETY MARK  
101594-11



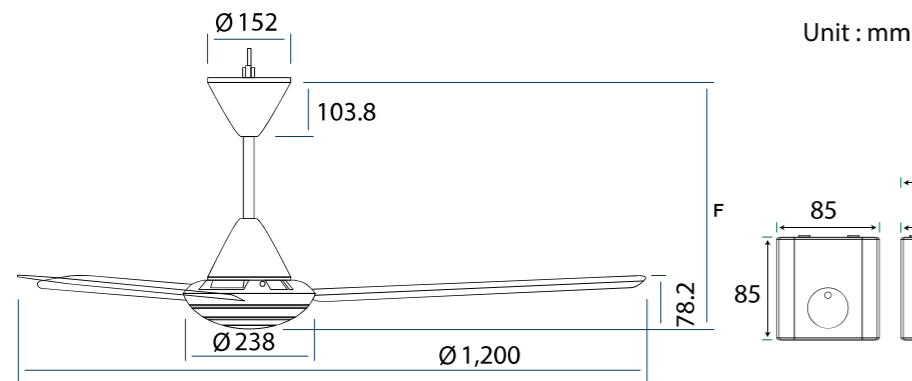
White

Black

- Compact size condenser controlled regulator
- 5-speed selection
- Thermal fuse prevent overheating or power surge
- Safety wire provided
- Cut-off safety switch equipped
- Fall prevention of blade adopted
- Permanently lubricated ball-bearing assembly
- Color: White or Black (M60SG only)

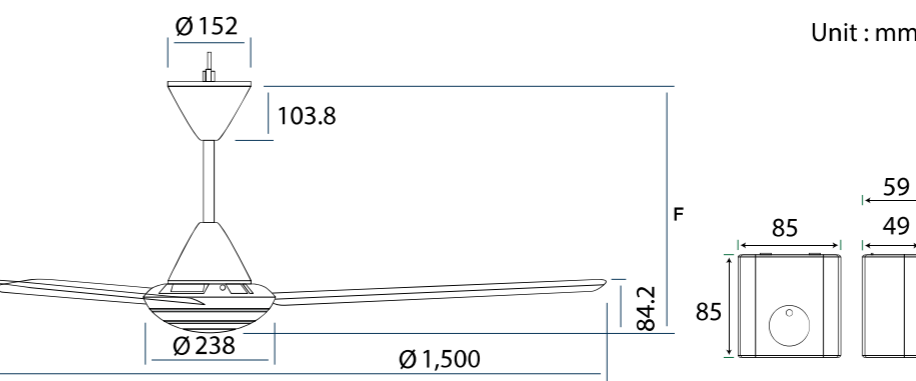
## M48SG / M48WG 120cm (48")

### Dimension



Unit : mm

Pipe type	Pipe Length [mm]	F
9 inch	229	375.7
12 inch	305	451.7
18 inch	457	603.7



Unit : mm

Pipe type	Pipe Length [mm]	F
9 inch	229	375.7
12 inch	305	451.7
18 inch	457	603.7
22 inch	559	705.7

## Specification

Model No.	Voltage		*	Consumption [W]	RPM [min <sup>-1</sup> ]	Air Velocity		Air Delivery		Weight [kg]
	[V]	[Hz]				[m/min]	[ft/min]	[m <sup>3</sup> /min]	[ft <sup>3</sup> /min]	
M48SG	230	50	Hi	49	296	165	541	170	6,003	5.3
			Lo	16	146	-	-	-	-	
M48WG	230	50	Hi	49	296	165	542	170	6,003	4.8
			Lo	16	146	-	-	-	-	

\* Hi - Notch 5 / Lo - Notch 1

Model No.	Voltage		*	Consumption [W]	RPM [min <sup>-1</sup> ]	Air Velocity		Air Delivery		Weight [kg]
	[V]	[Hz]				[m/min]	[ft/min]	[m <sup>3</sup> /min]	[ft <sup>3</sup> /min]	
M60SG	230	50	Hi	71	233	160	525	225	7,946	5.7
			Lo	16	97	-	-	-	-	
M60WG	230	50	Hi	71	233	160	525	225	7,946	5.2
			Lo	16	97	-	-	-	-	

\* Hi - Notch 5 / Lo - Notch 1

# COMPARISON

Features	Direct Current Motor Type					Wireless Remote Control Type						Regulator Control Type	
	W56WV	U60FW	U48FP	T60AW	T60DW	V56VK	Z60WS	R56SV	M56SR	R48SP	M11SU	M48SG M48WG	M60SG M60WG
<b>Multi-level Safety Protection</b>													
Thermal Safety Fuse	✓	✓	✓	✓	✓	✓	✓	✓	✓	✓	✓	✓	✓
Safety Wire	✓	✓	✓	✓	✓	✓	✓	✓	✓	✓	✓	✓	✓
Cut-off Safety Switch	✓	✓	✓	✓	✓	✓	✓	✓	✓	✓	✓	✓	✓
Fall Prevention of Blade	✓	✓	✓	✓	✓	✓	✓	✓	✓	✓	✓	✓	✓
Auto Mode (Thermal Sensor)				✓		✓							
3D Blade	✓	✓	✓	✓	✓	✓	✓	✓		✓			
PPG Material Blade	✓	✓	✓	✓	✓	✓	✓	✓					
Sleep Mode	✓	✓	✓	✓	✓	✓	✓	✓					
1/f Yuragi	✓	✓	✓	✓	✓	✓	✓	✓					
LED Lamp						✓							
LCD Remote Controller	✓	✓	✓	✓	✓	✓	✓						
LED Lighting		✓	✓										
LED Indicator								✓					

# SPECIFICATION

Model No.		Consumption [W]	RPM [min <sup>-1</sup> ]	Air Velocity [m/min]   [ft/min]		Air Delivery [m <sup>3</sup> /min]   [ft <sup>3</sup> /min]		Weight [kg]
<b>Direct Current Motor Type</b>								
W56WV	Hi	39	228	180	591	220	7,769	4.9
	Lo	3	80					
U60FW	Hi	61	230	205	673	240	8,476	Short / Long 6.0 / 6.2
	Lo	3	80	-	-	-	-	
U48FP	Hi	45	235	180	590	182	6,427	4.9
	Lo	3	80	-	-	-	-	
T60AW	Hi	39	230	205	673	204	8,476	5.1
	Lo	3	80	-	-	-	-	
T60DW	Hi	39	230	205	673	204	8,476	4.9
	Lo	3	80	-	-	-	-	
<b>Wireless Remote Control Type</b>								
V56VK	Hi	77	195	180	591	220	7,769	6.4
	Lo	20	89	-	-	-	-	
Z60WS	Hi	87	192	201	659	235	8,299	8
	Lo	24	86	-	-	-	-	
R56SV	Hi	74	215	180	591	220	7,769	6.4
	Lo	18	98	-	-	-	-	
M56SR	Hi	64	192	155	509	190	6,710	6.9
	Lo	18	92	-	-	-	-	
R48SP	Hi	60	237	175	574	170	6,003	5.5
	Lo	20	194	-	-	-	-	
M11SU	Hi	54	220	190	623	160	5,650	5.1
	Lo	20	115	-	-	-	-	
<b>Regulator Control Type</b>								
M48SG	Hi	49	296	165	541	170	6,003	5.3
	Lo	16	146	-	-	-	-	
M48WG	Hi	49	296	165	541	170	6,003	4.8
	Lo	16	146	-	-	-	-	
M60SG	Hi	71	233	160	525	225	7,946	5.7
	Lo	16	97	-	-	-	-	
M60WG	Hi	71	233	160	525	225	7,946	5.2
	Lo	16	97	-	-	-	-	

