



E48GP

E48HP

All-New KDK Airy



New 3D Blade



Wifi Control



Dimmable LED Light

Your comfort matters, above all.

Turn on KDK Airy and turn on the comfort, with powerful airflow and lights that can be dimmed to suit your mood - all wirelessly controlled from your phone!



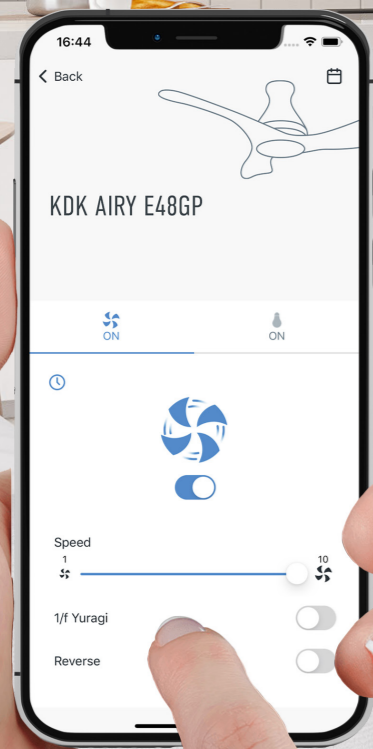
Smart Control Fan via KDK Ceiling Fan App



INDEX



The New KDK Airy
with Wifi Control



Mobile Connection



Quiet Comfort



04

INTELLIGENCE



16

PRODUCT
INFORMATION



09

RELIABILITY



29

SPECIFICATION



12

PERFORMANCE



30

COMPARISON



15

CONTROL

INTELLIGENCE

[Applicable for E48GP and E48HP]

Simply by connecting the ceiling fan to Wi-Fi and utilizing our KDK Ceiling fan mobile application, users can control the operation of the ceiling fan like never before.

Smart Control Fan via KDK Ceiling Fan App

By utilizing the KDK Ceiling Fan mobile application, all functions can be operated on the mobile phone. Inside the application, besides basic functions like turning the ceiling fan on and off, users can also customize the air delivery, LED lighting, or even setting a timer to suit their needs.

Wi-Fi Connection Mobile Application Control

In the user-friendly interface of the KDK Ceiling Fan mobile application, all setting for the speed, timer and mode selection can easily be found and set. This provides user with a convenient air experience, with simple operations.

Grouping

Allow users to synchronize control of up to 8 ceiling fans at the same time

Fan Speed

Adjust the fan speed as needed

LED Light*

Seamless brightness control for LED Light and Night Light Mode based on user preference

Scene Setting*

4 scene settings can be pre-set with preferred brightness and colour temperature control

1/f Yuragi

A fluctuating pattern that mimics natural and gentle breeze, bringing comfortable airflow to keep the body calm and relaxed

ON & OFF Timer

Set up timer to turn on or off the fan

Schedule

Multiple schedule settings can be done to suit daily activities

Sleep Mode

The fan speed and timer will gradually reduce until the fan is turned off

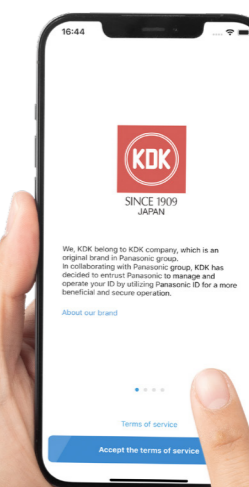
Reverse

Draws cool air upwards to circulate around the room, helping to maximize the effectiveness of the air conditioner.



Available on the App Store

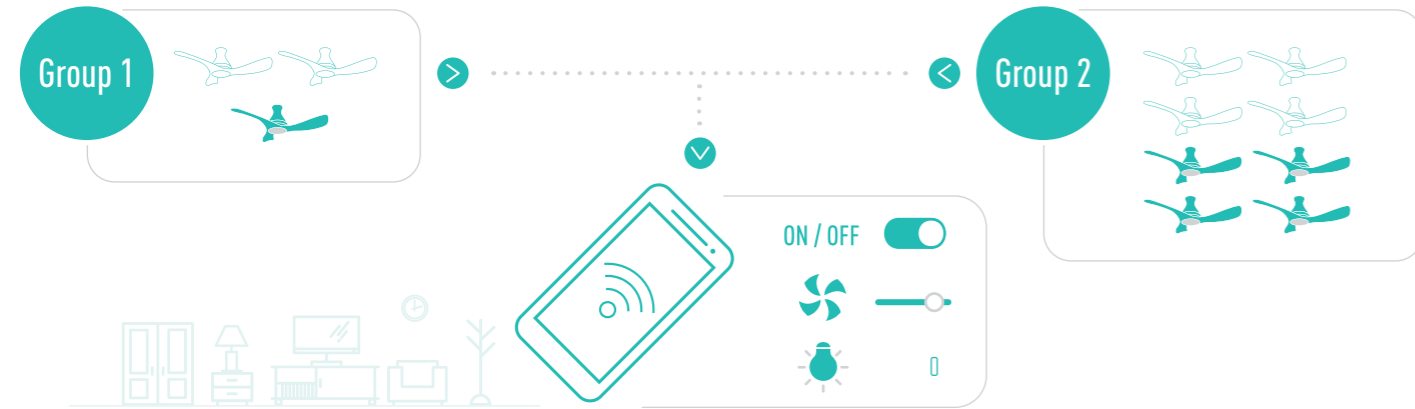
ANDROID APP ON Google Play



*Not applicable for E48HP

Grouping Function (Applicable for E48GP and E48HP)

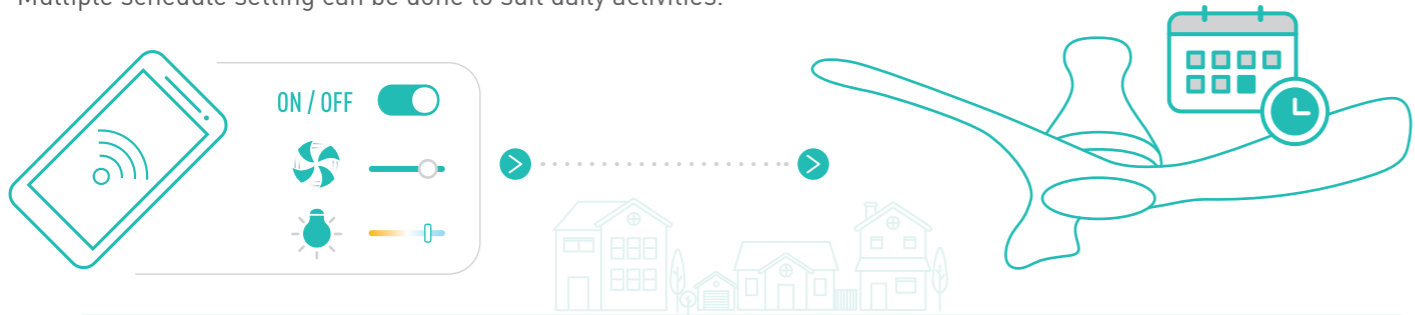
Grouping function is available in the KDK Ceiling Fan App. It enables users to synchronize control of up to 8 registered ceiling fans. After synchronizing multiple ceiling fans as a same group, operations such as turn on or off, fan speed and lighting can be set and applicable to all ceiling fans in the same group. Multiple groups can be set as well for easier management.



Scheduling (Applicable for E48GP and E48HP)

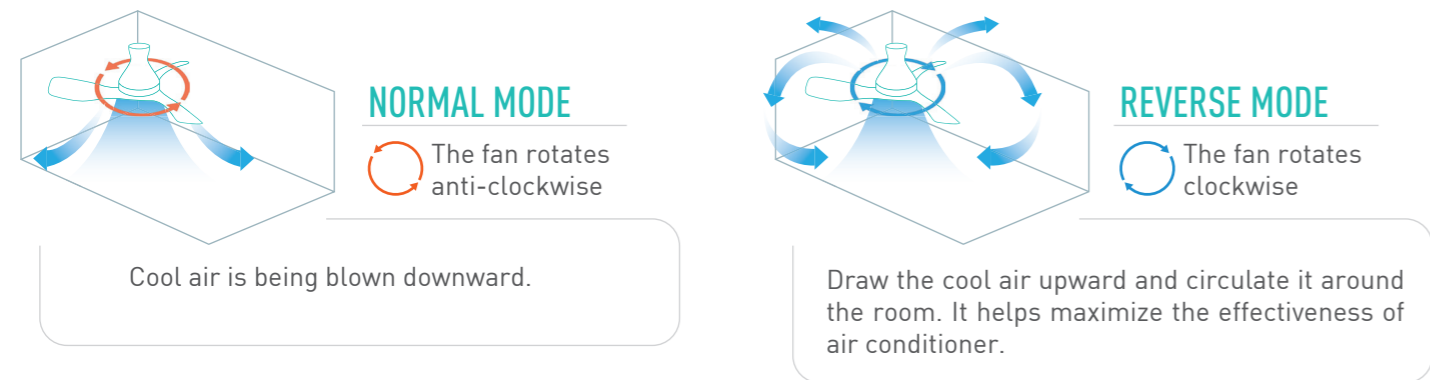
Scheduling function is available in the KDK Ceiling Fan App. For the registered ceiling fans, users can schedule the on or off, fan speed and lighting at any time, at any day in a week.

Multiple schedule setting can be done to suit daily activities.



Reverse Function (Applicable for E48GP and E48HP)

Reverse function is available in the KDK Ceiling Fan App. It rotates the ceiling fan in a clockwise motion and draws cool air upwards to circulate the air around the room for an even air flow and comfortable temperature. The reverse function complements with the functions of an air conditioner and helps to maximize the effectiveness of the air conditioner.



LED Lighting (Applicable for E48GP)



85% Energy Saving*

* LED Light compared to incandescent bulb

Hassle-free

With the long lifespan of LED light, there is no need to constantly change the light bulb, also reducing garbage waste.

LED ceiling fan provides greater space with the light incorporated in the fan. LED is used due to its long lifespan & energy saving quality.



Warm



Brightness

Brightness = Up to 200 lx*

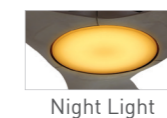


White



Energy Efficient

19W LED light = Incandescent lamp 4 x 60W



Night Light



Coverage*

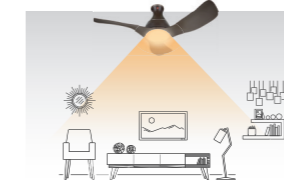
(HIGH) - 200lx
 1) 4m coverage - strong lighting
 2) 6m coverage - moderate lighting
 3) 8m coverage - weak lighting

Adjustable Color Temperature (Applicable for E48GP)

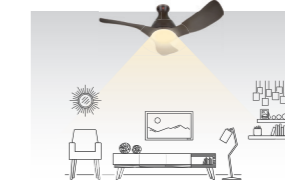
NORMAL LIGHT MODE

Min: 25(lx)
 Max: 200(lx)

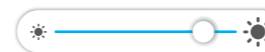
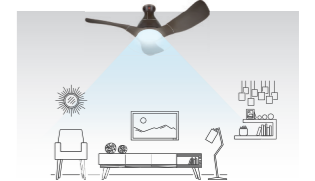
WARM



MIX (WARM WHITE)



WHITE (COOL DAYLIGHT)



Min: 0.15(lx)
 Med: 0.60(lx)
 Max: 1.10(lx)

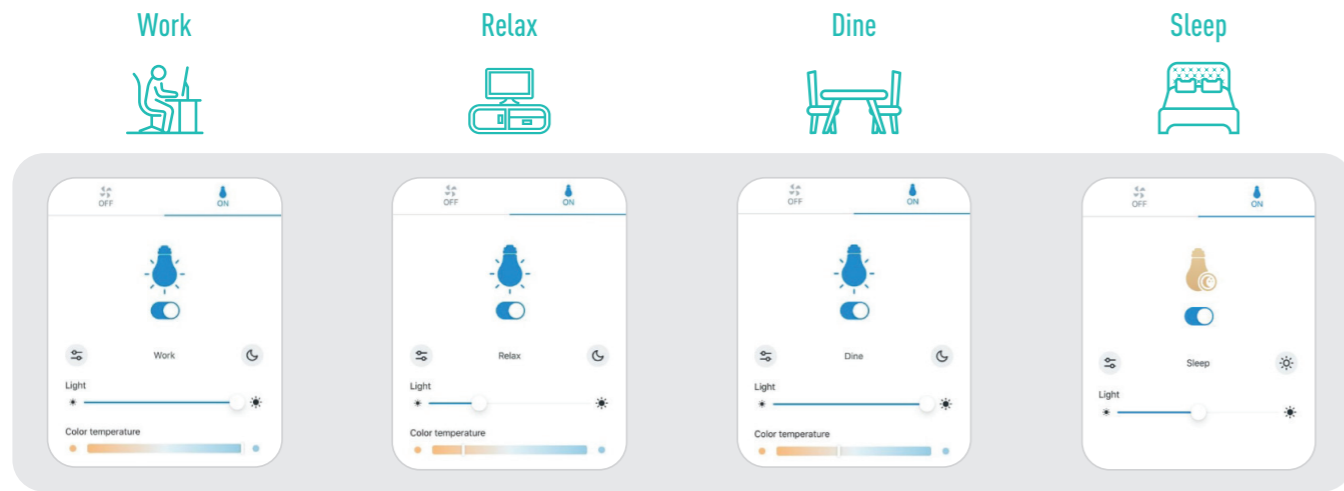
NIGHT LIGHT MODE

WARM

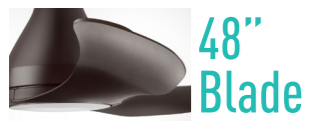


Preset Lighting Scene Setting (Applicable for E48GP)

Preset with 4 light settings for 4 common daily activities. The preset scene can also be overwritten by adjusting the light setting according to your preferred comfort level and save the setting for easy 1-Touch access.



Innovative Blade Design (Applicable for E48GP and E48HP)

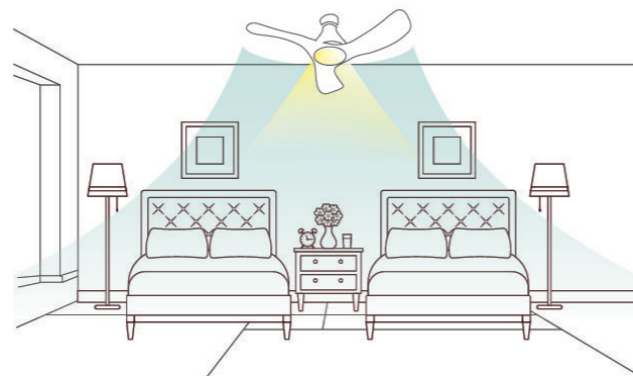


48" Blade

More Silent And Low Noise

The blade shape is like an owl's wings for soft and silent airflow.

Silent air flow with less noise disturbance means a relaxing and peaceful sleep.



NEW BLADE

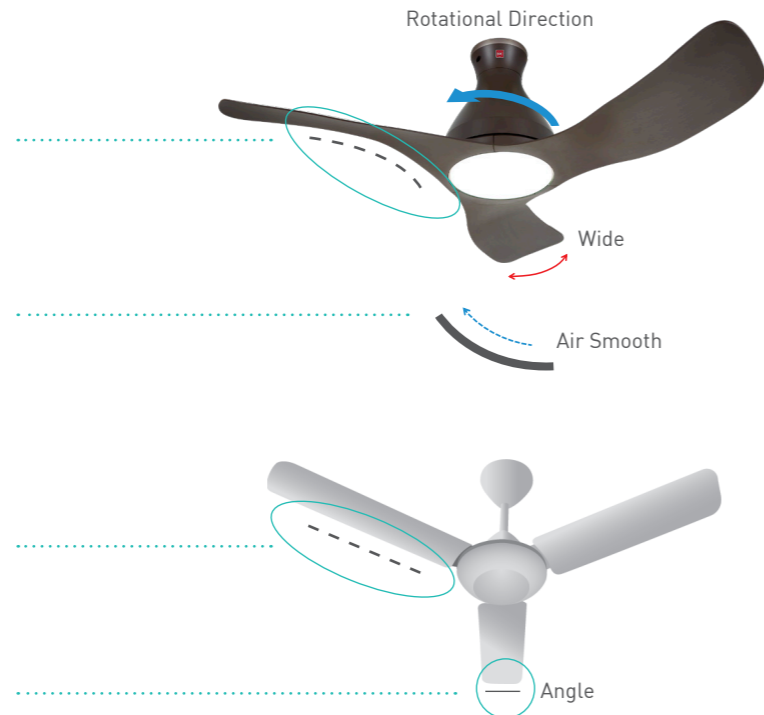
3D Curve blade
Blade tip moves in advance to the rotational direction and does not cut air at same time.

Blade turn gradually causes small pressure change to create smooth and quiet air.

NORMAL BLADE

Straight Blade
Cuts air at the same timing.

Blade angle & width are narrow and at the same angle.



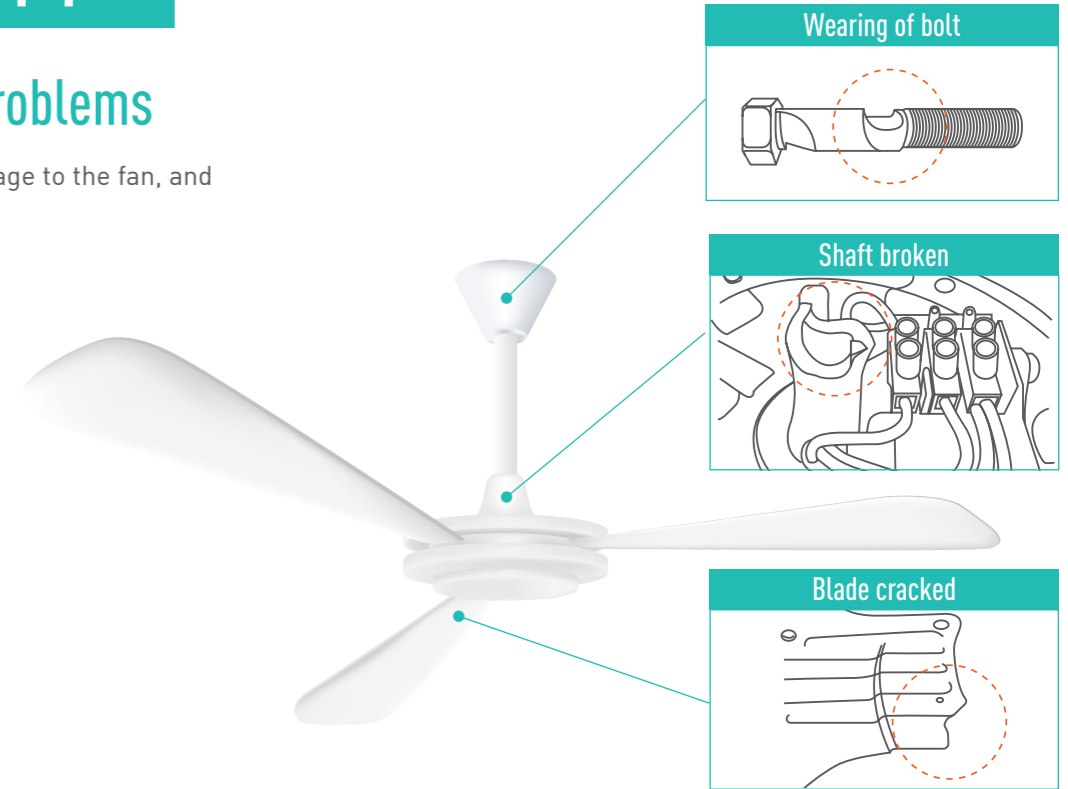
RELIABILITY

High Reliability is Important For You

Potential Safety Problems

Various factors may cause damage to the fan, and cause the fan or its blade to fall.

- Deferred Part Mixed
- Using Substitute Parts
- Wearing of Fasteners
- Incorrect Installation
- Fatigue of Material



Singapore Safety Mark

Singapore KDK models that come with Capital Distributors warranty are registered with Singapore Consumer Protection (Safety Requirements) Registration Scheme, which certifies that our products meet stringent safety standards and are safe for use in your home.

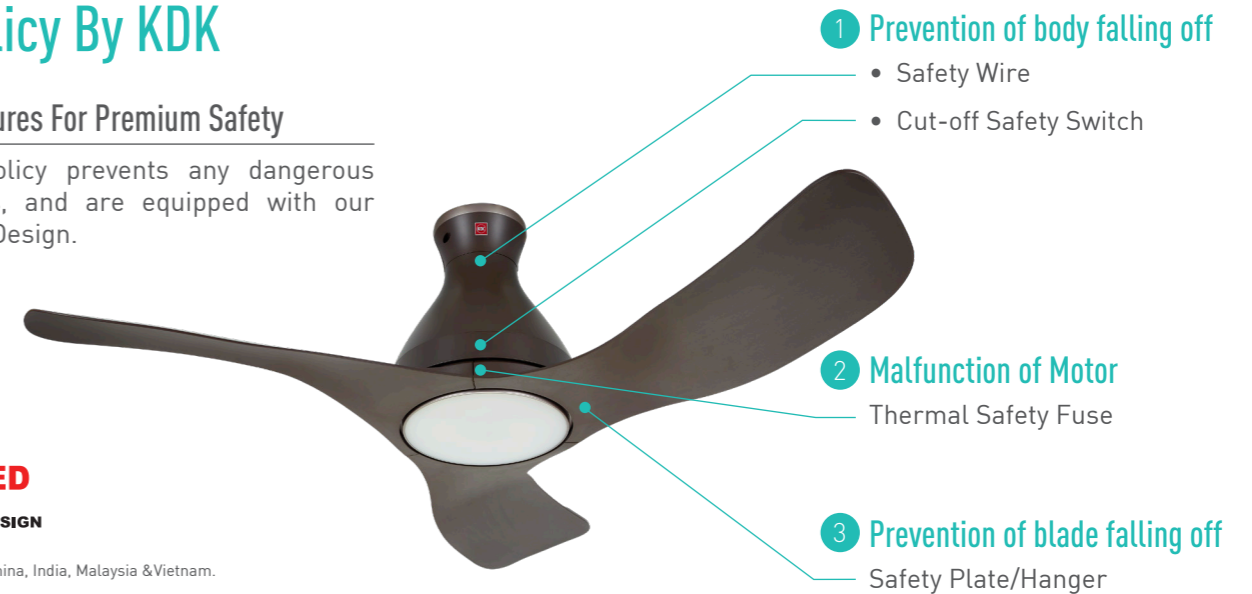


Safety Policy By KDK

Preventive Measures For Premium Safety

KDK's safety policy prevents any dangerous misuse of parts, and are equipped with our Patented Safety Design.

PATENTED ENHANCED SAFETY DESIGN
Patents registration in Japan, The United States, China, India, Malaysia & Vietnam.



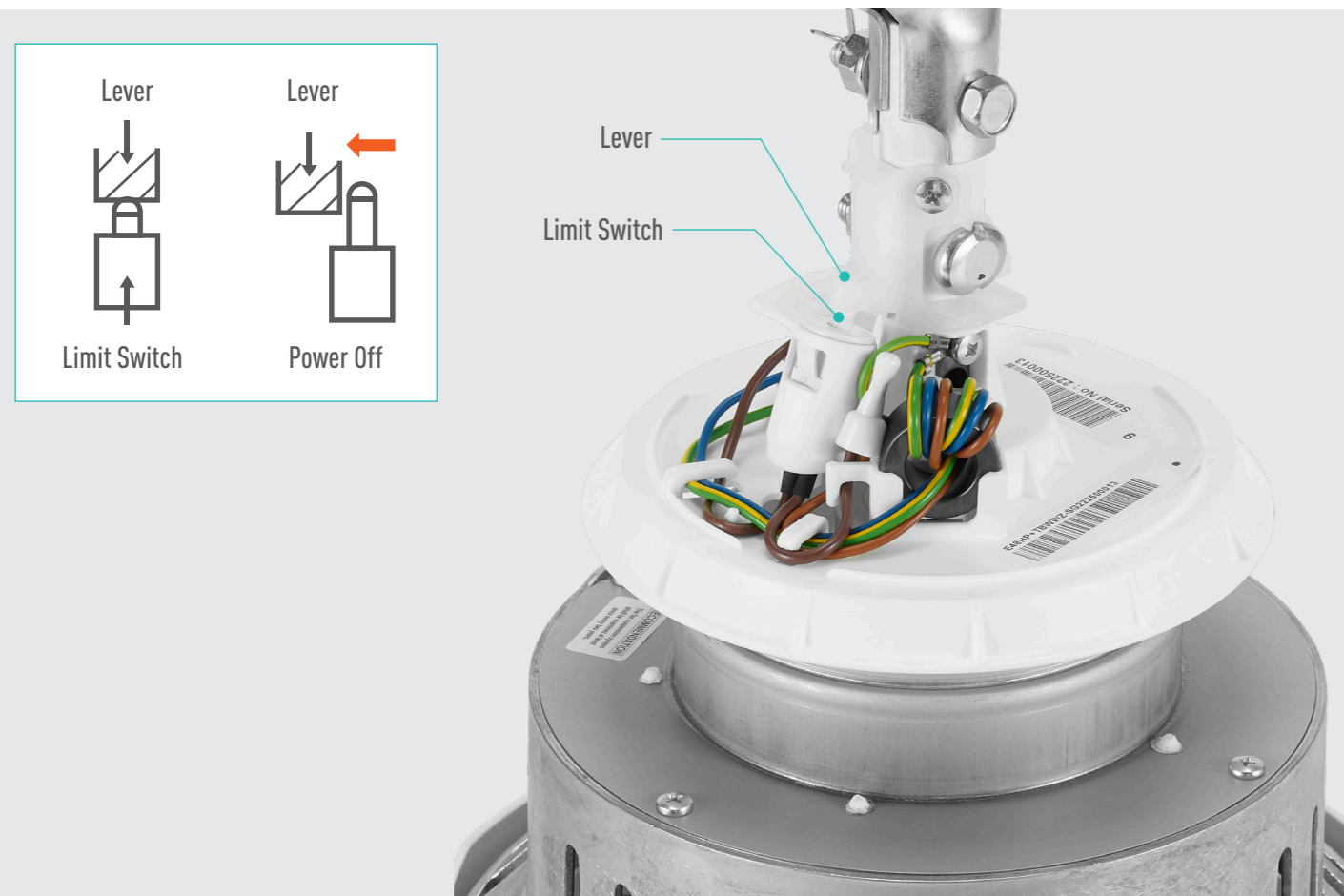
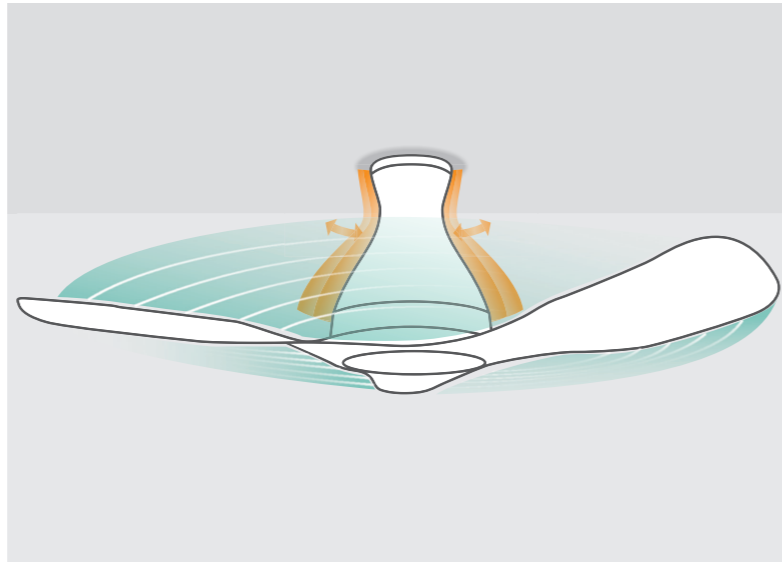
Cut-off Safety Switch

Problem

If the shaft or bolt is damaged, the fan will wobble abnormally during operation. Continuing to operate the fan will cause further damages, eventually causing the shaft or bolt to break.

Our Solution

A cut-off safety switch will automatically shut off the power supply if the shaft or bolt exhibits signs of wear or tear. In the event of abnormal wobbling, the fan will shut off and the lever will detach from the switch to prevent further damage. This minimizes the possibility of the fan falling.



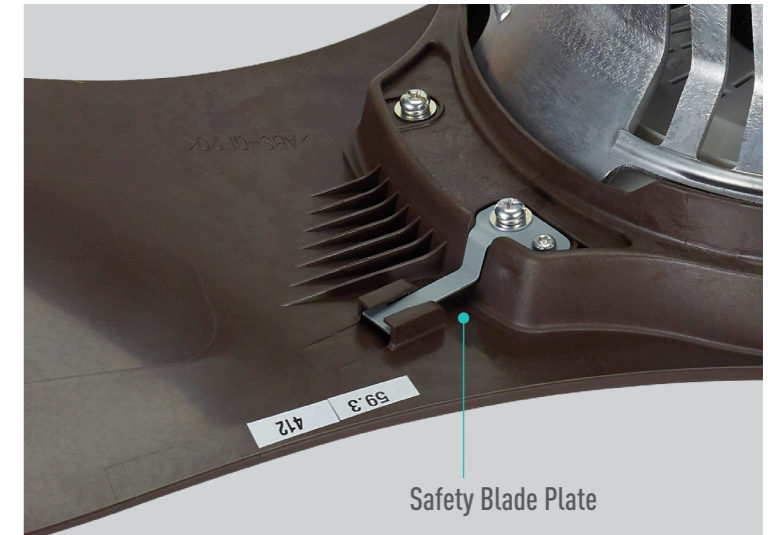
Safety Blade Plate

Problem

Blade fins may fall off from the fan motor due to material fatigue.

Our Solution

An exclusively designed fall prevention plate is equipped. The mechanism prevents blades from falling due to damage.



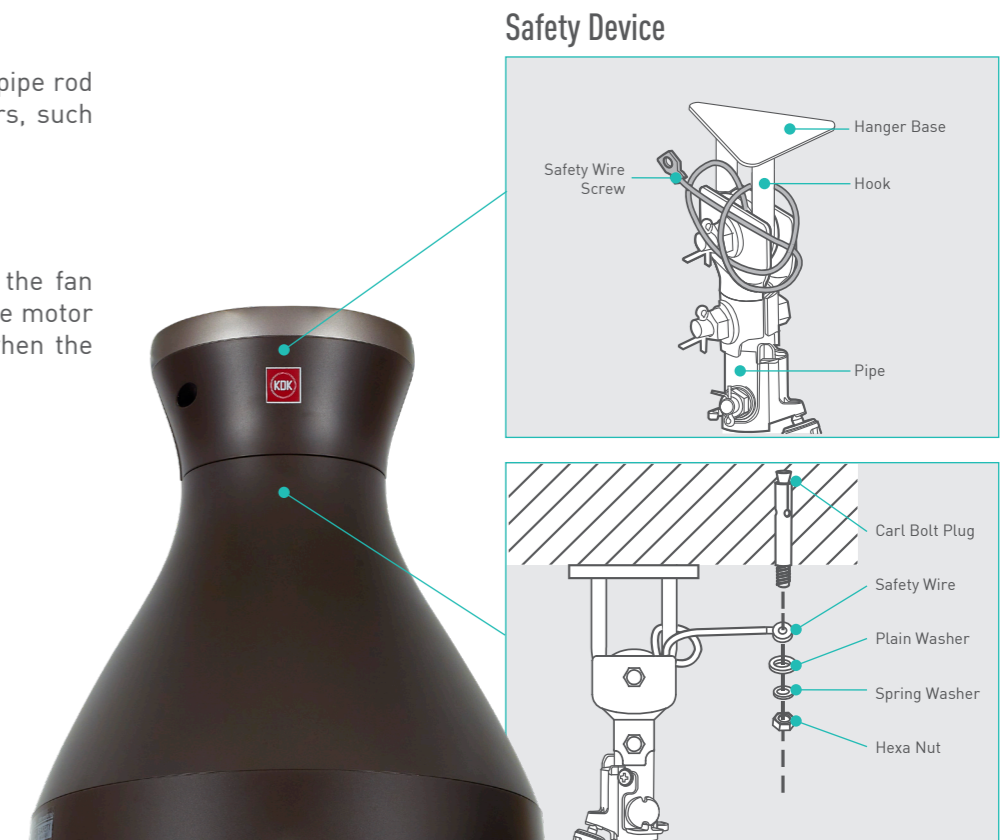
Safety Wire

Problem

The fan motor may fall from the pipe rod by accident due to various factors, such as wear on the shaft bolt.

Our Solution

A safety wire is used to secure the fan motor with the ceiling hook so the motor will not fall from the pipe rod when the motor is detached from it.



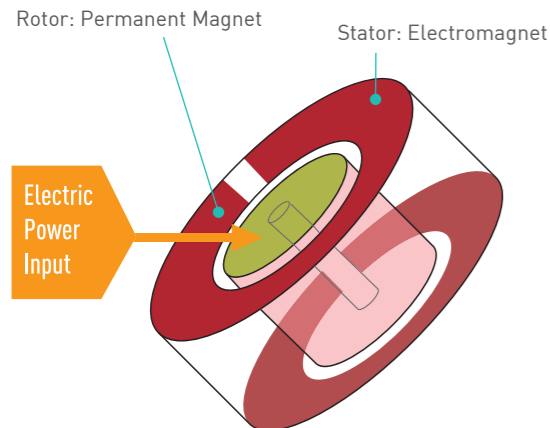
PERFORMANCE

DC MOTOR Direct Current Motor

Newly developed direct current (DC) motor are adopted in these fans. Power consumption is reduced compared to Alternating Current (AC) motor, resulting in higher energy saving.

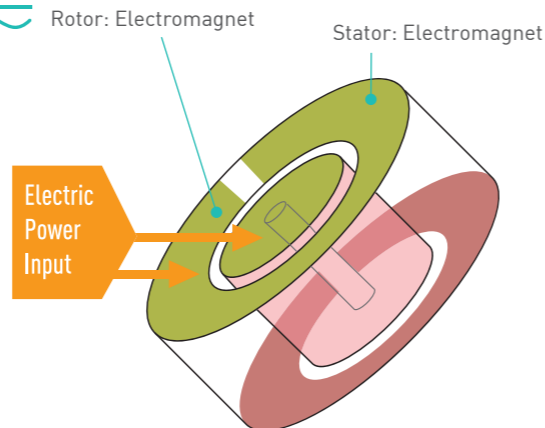
DC motor has lighter weight compared to conventional AC motor, allowing easy handling for DC ceiling fan.

DC Direct Current (DC) Motor



Electric power input is required for stator only

AC Alternating Current (AC) Motor



Electric power input is required for both rotor and stator

	Motor Type	Power Consumption (W)
E48HP	DC	31
Other Brand	AC	94
		67% reduced

As of 230V 50Hz

Auto Mode with Eco Mode Function (T60AW and V56K)

T60AW is equipped with temperature sensor. Incorporated with Eco Mode Function, the innovative Auto Mode function is enhanced. This function allows the fan to generate the most comfortable air velocity to the human body, subject to the room temperature.

The sensor monitors the surrounding temperature change and air velocity will vary automatically in accordance to below table.

Range of Room Temperature	Change of Room Temperature		Change of Speed T60AW	
	-1°C	+1°C	-	+
Above 30°C	Blue bar	Red bar	Blue bar	Red bar
30°C - 29°C	Blue bar	Red bar	Blue bar	Red bar
29°C - 24°C	Blue bar	Red bar	Blue bar	Red bar
Below 24°C	Blue bar	Red bar	No Change	

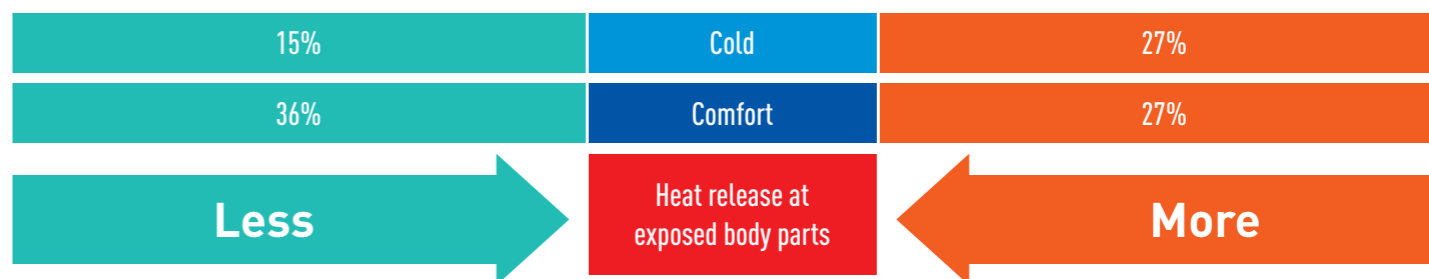
Speed change for Eco Mode is among speed 1 to speed 9



Our sophisticated formula - 1/f Yuragi - varies air velocity & wind force. The fluctuating pattern presents you with a peaceful and comfortable breeze. This type of technology-based rhythm also maintains your body's external temperature and keeps you in a better and more relaxing physical state.

	Decline of Body Temperature	Pleasure
With 1/f Yuragi function	Suitable body temperature does not drop easily.	Near the nature wind • Changes in the wind velocity gives a natural feeling. • Will not feel tired easily after a long time usage.
Without 1/f Yuragi function (Rhythm random mode)	Suitable body temperature will drop after a long period of time.	Human made wind • Constant wind velocity might result in anxious feelings.

Comment after 20 minutes usage



1/f Yuragi wind flow

Prevents ideal body temperature from dropping while enjoying a comfortable breeze.

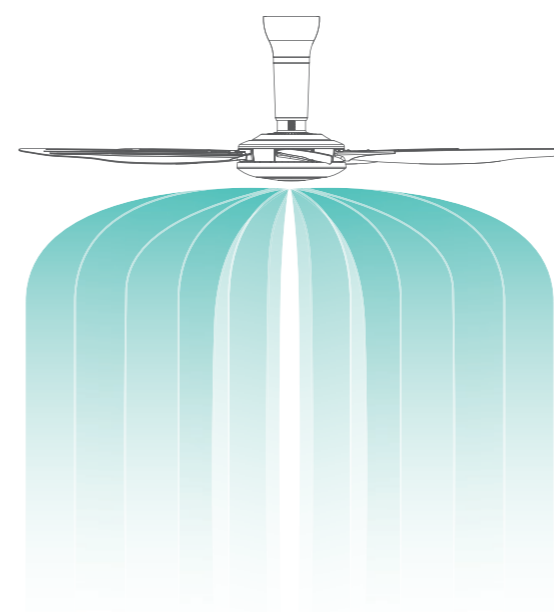
Japan Society of Physiological Anthropology Report

Continuous wind

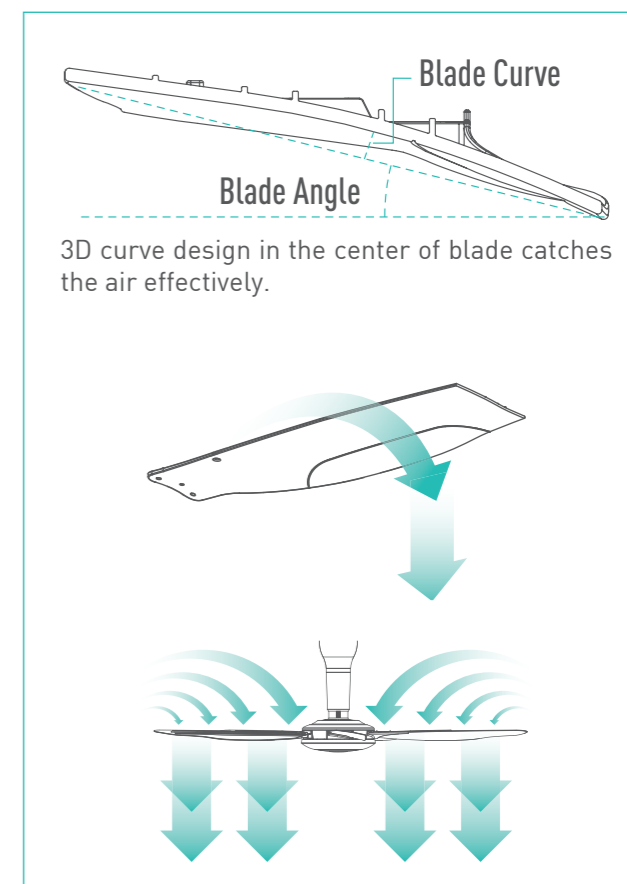
Constant wind velocity might result in anxious feelings.

3D Blade

With the exclusive and unique 3D blade design, it provides a smooth and strong air flow while maintaining operating noise in low level.



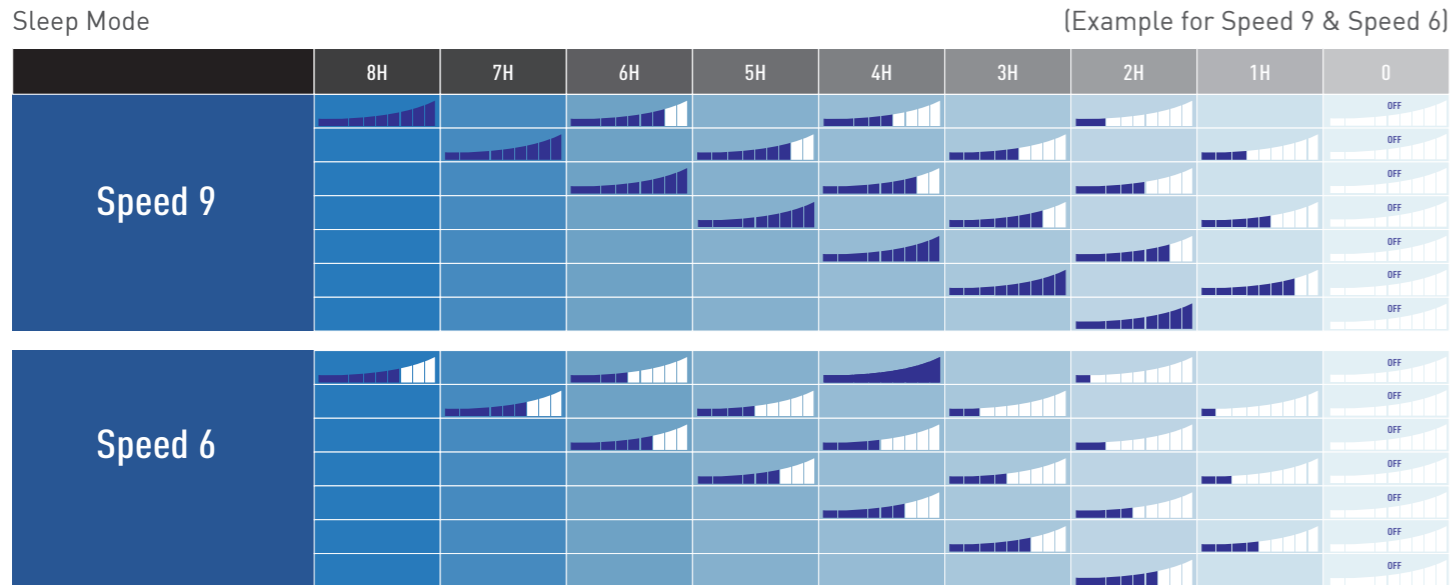
Stronger and Powerful Airflow



zz Sleeping Mode

The fans are equipped with Sleep Modes, which gradually reduce the fan speed and timer until the fan is off. This function not only creates an optimal sleeping environment to you, but also enhances energy saving.

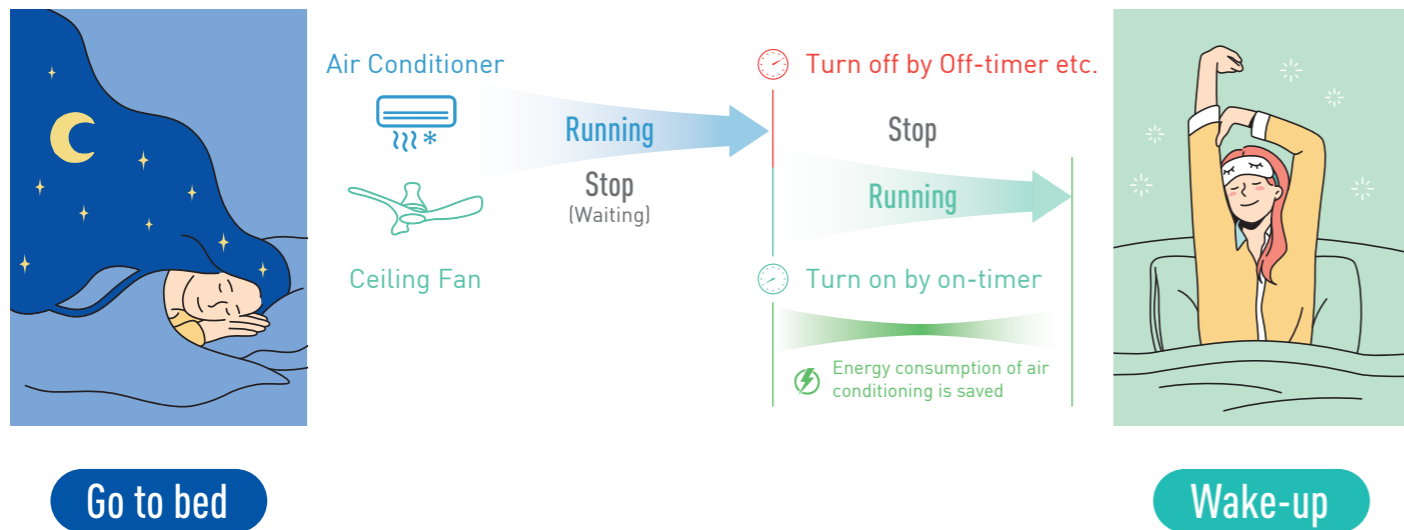
Example: T60AW(Speed 9 & Speed 6)



- Note:**
1. Sleep mode function is disabled at speed 1 and 1 hour setting.
 2. Operation pattern will be different subject to different model and setting, please refer to the operation instruction for detail.

On Timer

It can minimize extreme temperatures and save on power consumption during your sleep.



CONTROL

The remote control provides users greater convenience when using the ceiling fan. There are two types of remote controls: Wireless and wired regulator.

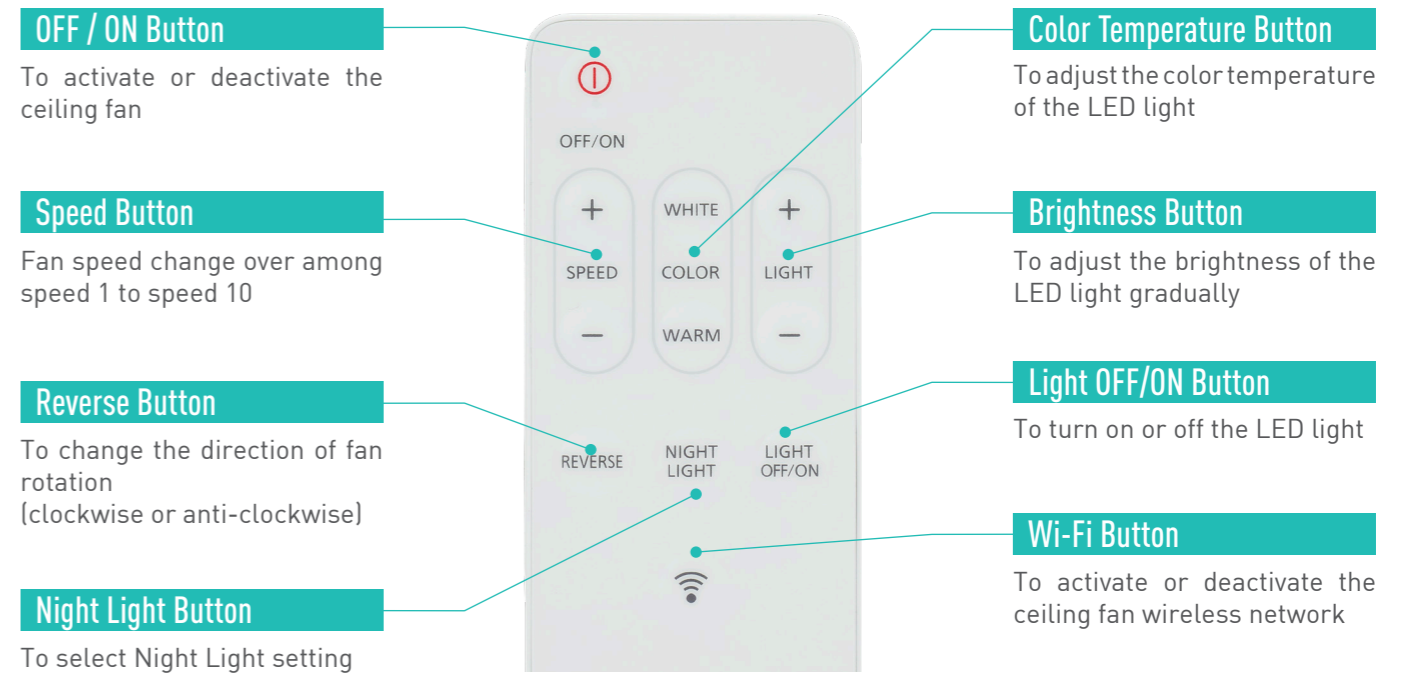
Remote Controls

For remote control infrared type, different functions can be operated by the hand held remote controller unit. With the LCD display (depending on models), you can recognize the setting at a glance that provide greater convenience and ease for you. For certain models (U48FP and U60FW) function like light and (E48GP) light brightness can be set. For regulator control type, you can select your preferable air delivery by simply adjusting the compact sized regulator.

Wireless Remote Control Type

Various functions can be operated simply by using the infrared remote control. You can easily adjust the fan speed, LED and light brightness (E48GP only), etc. It provides convenience and ease for you while operating the fan.

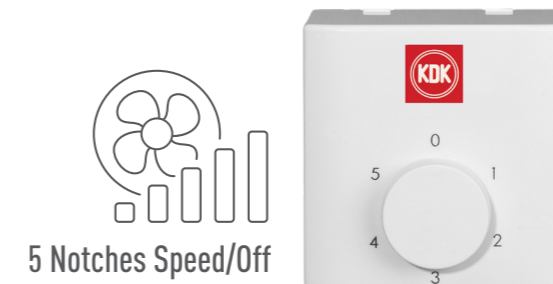
Example: E48GP remote control



Regulator Control Type

On/Off and speed notch can be selected by simply adjusting the rotary switch of the wall-mounted regulator.

Example: M48SG



PRODUCT INFORMATION

Direct Current (DC) Motor,
Mobile Control Type

E48GP 120cm (48")



Features

- Dual function: Fan and Light
- Direct current (DC) motor adopted
- 1/2 Yuragi function
- 3D blade delivers smooth and strong airflow
- New design ABS-G Blade material for durability
- Adjustable LED brightness & color
- Wi-Fi and Apps Control
- Infrared remote control
- Reverse function
- 10-speed control
- Sleep mode with 24-h On timer & Off timer
- Schedule & Grouping function
- Equipped with safety device
- Blade safety plate and safety wire attached
- Color: Brown or Matte White
- New design of safety plate structure adopted

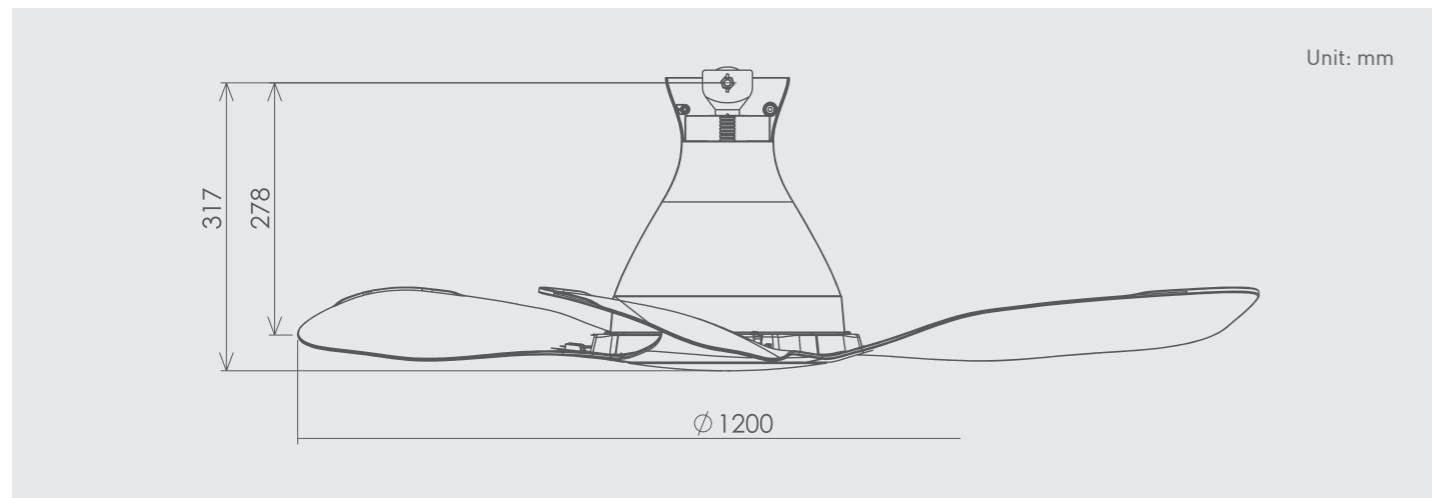
E48HP 120cm (48")



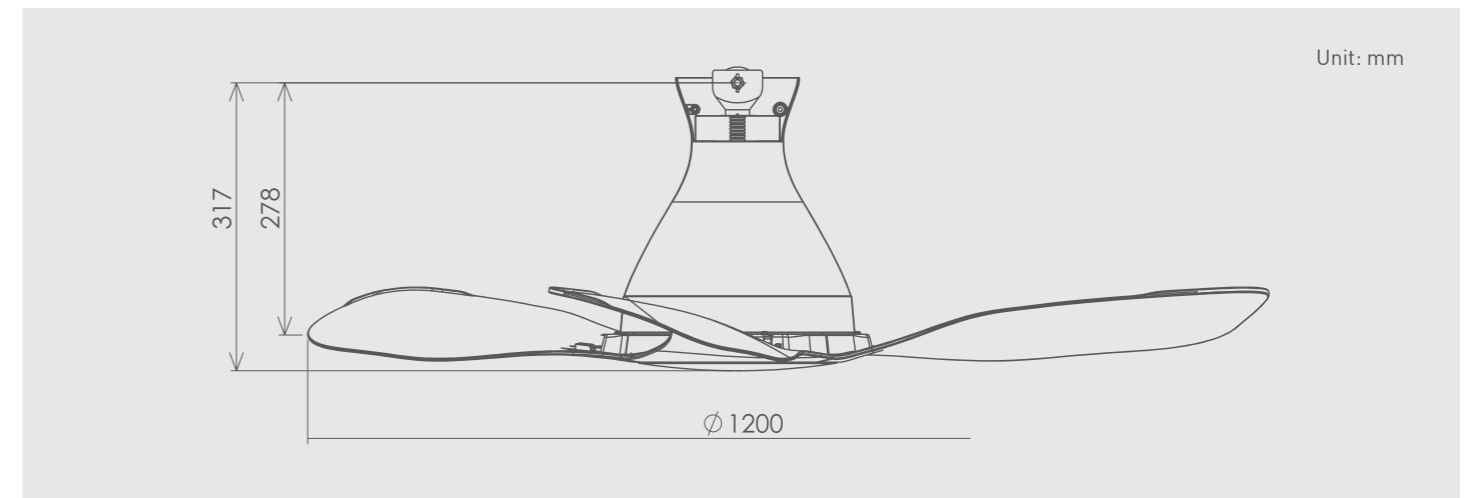
Features

- Direct current (DC) motor adopted
- 1/2 Yuragi function
- 3D blade delivers smooth and strong airflow
- New design ABS-G Blade material for durability
- Wi-Fi and Apps Control
- Infrared remote control
- Reverse function
- 10-speed control
- Sleep mode with 24-h On timer & Off timer
- Schedule & Grouping function
- Equipped with safety device
- Blade safety plate and safety wire attached
- Color: Brown or Matte White
- New design of safety plate structure adopted

Dimensions



Dimensions



Specifications

Model No.	Voltage		Consumption [W]		RPM [min ⁻¹]	Air Velocity		Air Delivery		Weight [kg]
	[V]	[Hz]	Fan	Fan+Light		[m/min]	[ft/min]	[m ³ /min]	[ft ³ /min]	
E48GP	230	50	31	50	170	185	607	200	7063	5.5

Specifications

Model No.	Voltage		Consumption [W]	RPM [min ⁻¹]	Air Velocity		Air Delivery		Weight [kg]
	[V]	[Hz]			[m/min]	[ft/min]	[m ³ /min]	[ft ³ /min]	
E48HP	230	50	31	170	185	607	200	7063	5.2

PRODUCT INFORMATION

Direct Current (DC) Motor,
Wireless Remote Control Type

W56WV 140cm (56")



Features

- Direct current (DC) motor adopted
- 1/2 Yuragi function
- 3D blade delivers smooth and strong airflow
- PPG blade material for durability
- LCD wireless remote control
- 9-speed control
- Sleep mode with On timer & Off timer
- Equipped with safety device
- Blade safety plate and safety wire attached
- Colour: Black, White

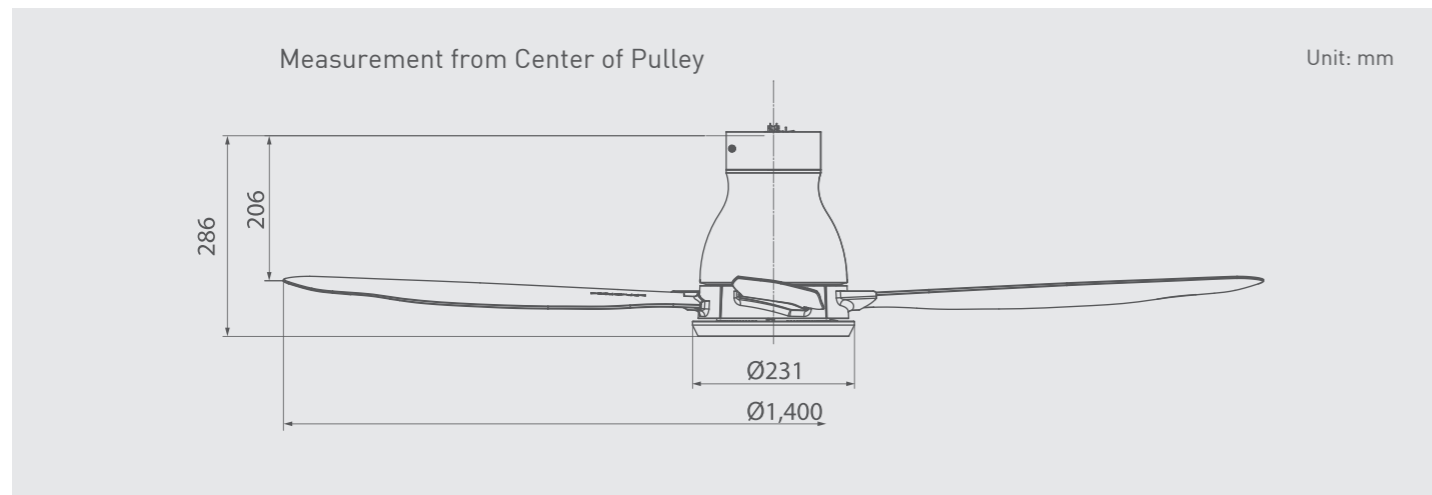
U60FW 150cm(60")



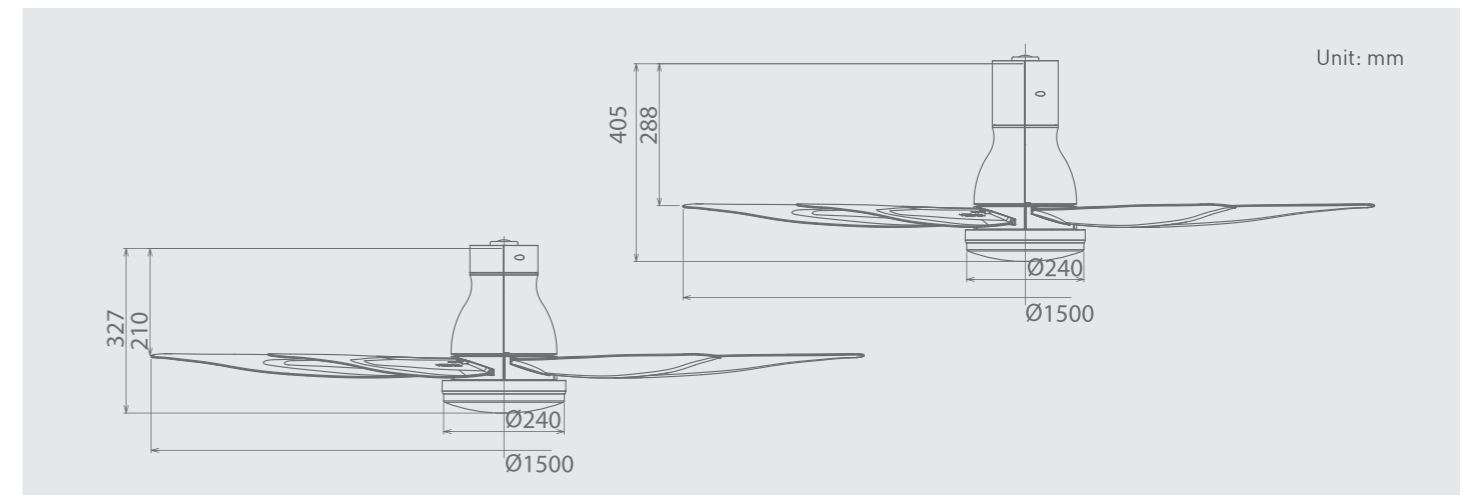
Features

- Dual function : Fan and Light
- Direct Current (DC) motor adopted
- Selectable light color (White/Daylight/Warm)
- 1/2 Yuragi Function
- 3D blade delivers smooth and strong airflow
- PPG Blade material for durability
- LCD wireless remote control
- 9-speed control
- Sleep mode with On timer & Off timer
- Equipped with safety device
- Blade safety plate and safety wire attached
- Color: Black ,White
- Pipe length: Long or Short

Dimensions



Dimensions



Specifications

Model No.	Voltage [V]	*	Consumption [W]	RPM [min ⁻¹]	Air Velocity		Air Delivery		Weight [kg]
					[m/min]	[ft/min]	[m ³ /min]	[ft ³ /min]	
W56WV	230	Hi	39	228	180	591	220	7769	4.9

*Hi - Notch 9

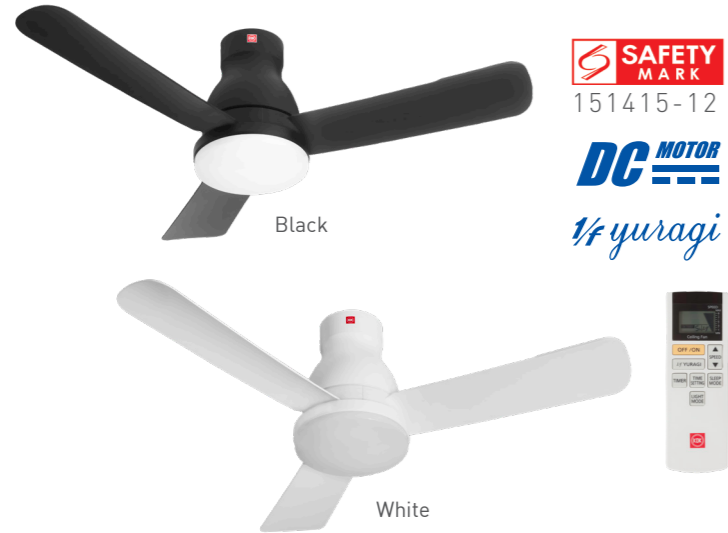
Specifications

Model No.	Voltage		Consumption [W]		RPM [min ⁻¹]	Air Velocity		Air Delivery		Weight [kg]	
	[V]	[Hz]	Fan	Fan+Light		[m/min]	[ft/min]	[m ³ /min]	[ft ³ /min]	Short Pipe	Long Pipe
U60FW	230	50	39	61	230	205	673	240	8476	6.0	6.2

PRODUCT INFORMATION

Direct Current (DC) Motor,
Wireless Remote Control Type

U48FP 120cm(48")



Features

- Dual function : Fan and Light
- Direct Current (DC) motor adopted
- LED lighting with brightness for daily life
- 1/2 Yuragi Function
- 3D blade delivers smooth and strong airflow
- PPG blade material for durability
- LCD wireless remote control
- 9-speed control
- Sleep mode with On timer & Off timer
- Equipped with safety device
- Blade safety plate and safety wire attached
- Color option: Black or White

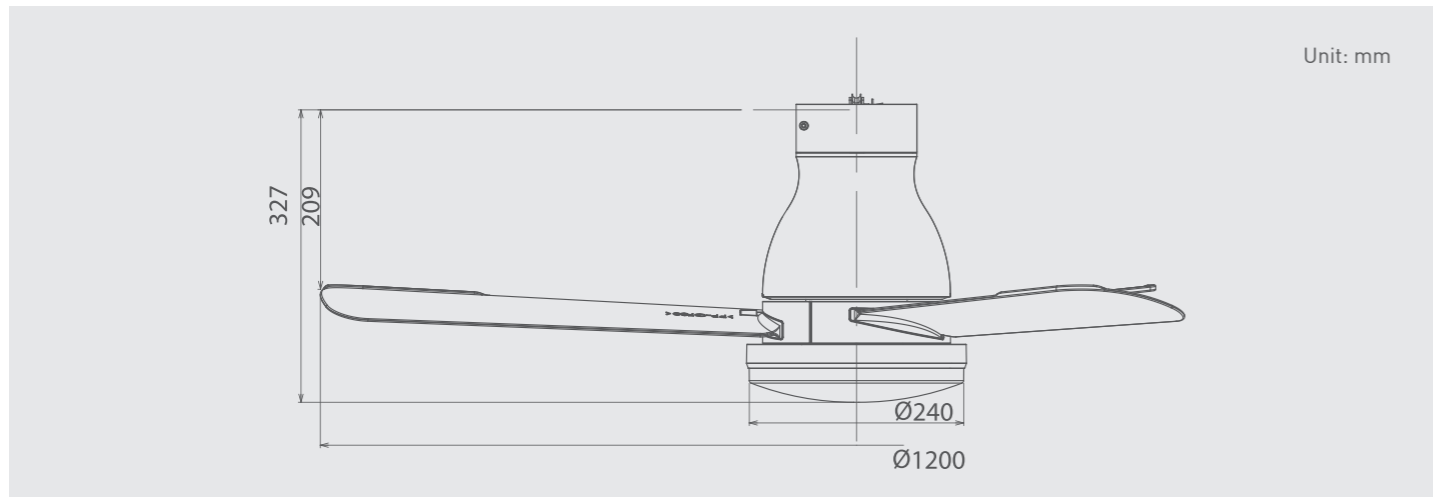
T60AW 150cm(60")



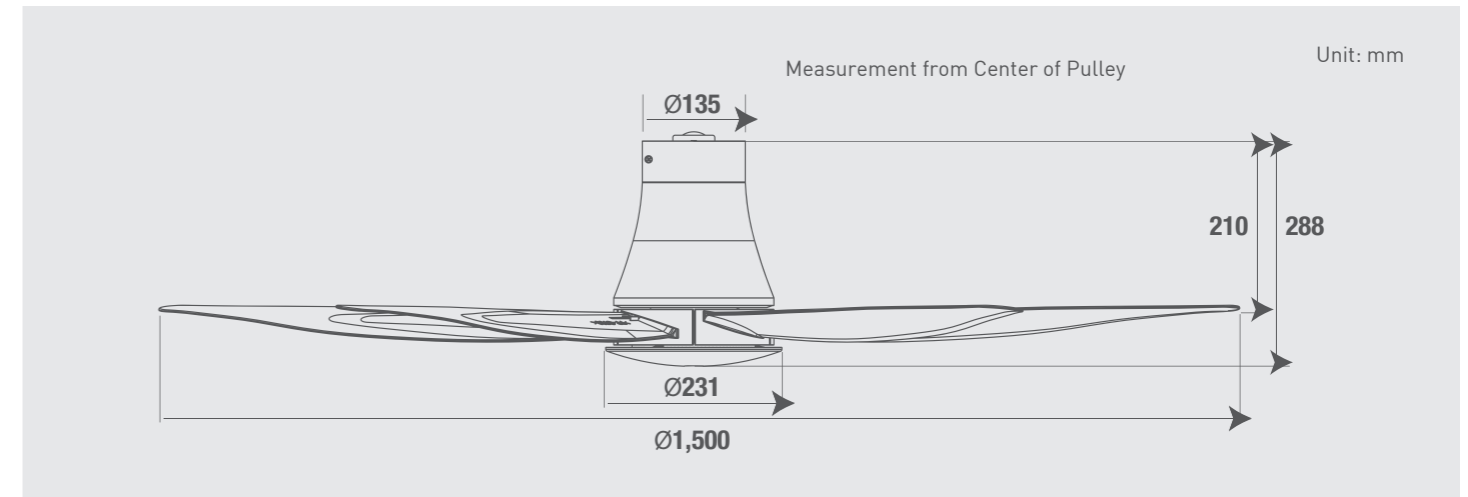
Features

- Direct current (DC) motor adopted
- Auto mode with Eco Mode function by temperature sensor
- 1/2 Yuragi function
- 3D blade delivers smooth and strong airflow
- PPG blade material for durability
- LCD wireless remote control
- 9-speed control
- Sleep mode with On timer & Off timer
- Equipped with safety device
- Blade safety plate and safety wire attached

Dimensions



Dimensions



Specifications

Model No.	Voltage		Consumption [W]		RPM [min ⁻¹]	Air Velocity		Air Delivery		Weight [kg]
	[V]	[Hz]	Fan	Fan+Light		[m/min]	[ft/min]	[m ³ /min]	[ft ³ /min]	
U48FP	230	50	27	45	235	180	590	182	6427	4.9

Specifications

Model No.	Voltage [V]	*	Consumption [W]	RPM [min ⁻¹]	Air Velocity		Air Delivery		Weight [kg]
					[m/min]	[ft/min]	[m ³ /min]	[ft ³ /min]	
T60AW	230	Hi	39	230	205	673	240	8476	5.3

*Hi - Notch 9

PRODUCT INFORMATION

Wireless Remote Control Type

V56VK 140cm(56")



SAFETY MARK
082166-11

1/f yuragi



Features

- Temperature sensor for auto airflow adjustment
- LED illumination lamp equipped
- 1/f Yuragi function
- 3D blade delivers smooth and strong airflow
- PPG blade material for durability
- LCD wireless remote controller
- 5 speed control
- Sleep mode
- 8-hour off timer
- Equipped with cut-off safety device
- Blade safety plate attached
- Safety wire adopted
- Color option: Grey or White

Z60WS 150cm(60")



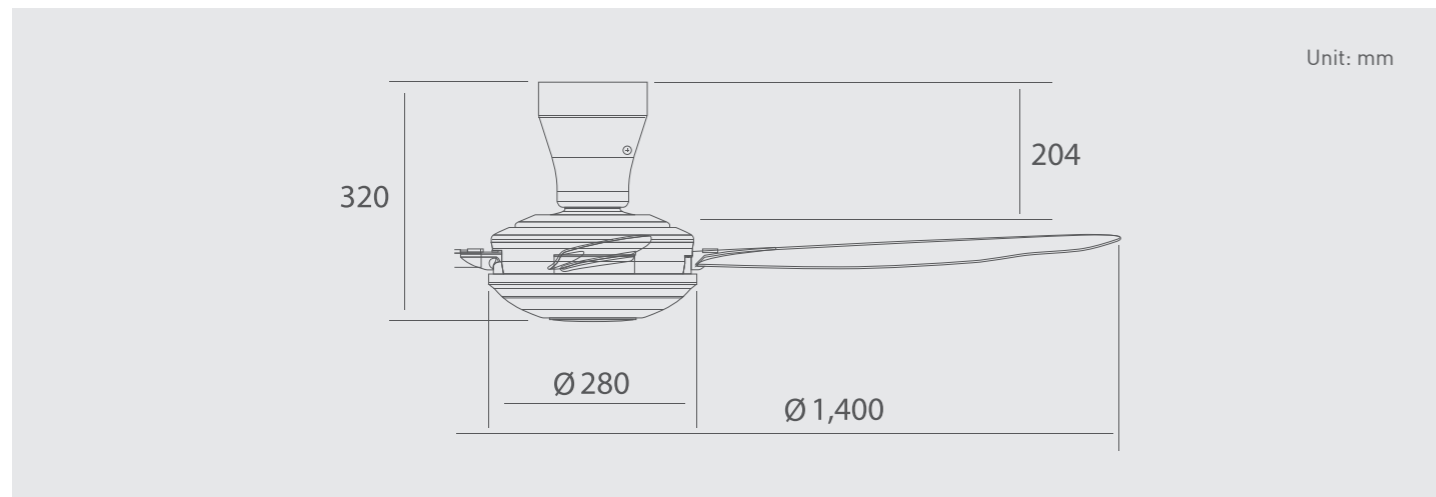
SAFETY MARK
141718-12



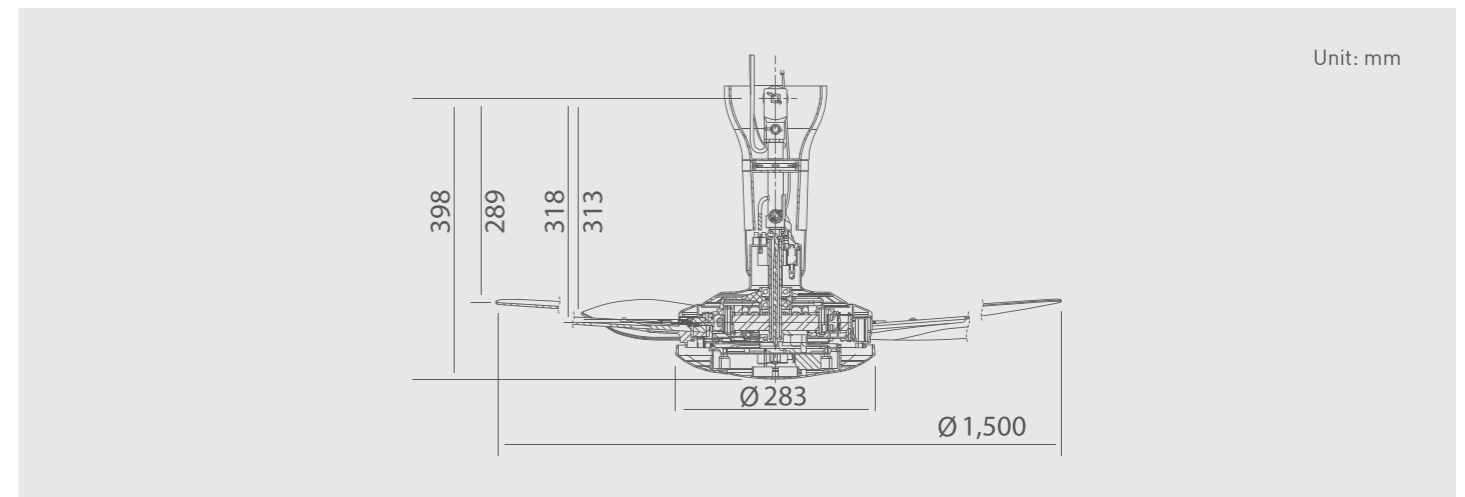
Features

- 1/f Yuragi function
- 3D blade delivers smooth and strong air flow
- PPG blade material for durability
- LCD wireless remote control
- 7 speed control
- Sleep mode
- 8-hour off timer
- Equipped with cut-off safety device
- Blade safety plate attached
- Safety wire adopted
- Color option: Grey or White

Dimensions



Dimensions



Specifications

Model No.	Voltage		*	Consumption [W]	RPM [min ⁻¹]	Air Velocity		Air Delivery		Weight [kg]
	[V]	[Hz]				[m/min]	[ft/min]	[m ³ /min]	[ft ³ /min]	
V56VK	230	50	Hi	77	195	180	591	220	7769	6.4

*Hi - Notch 5

Specifications

Model No.	Voltage		*	Consumption [W]	RPM [min ⁻¹]	Air Velocity		Air Delivery		Weight [kg]
	[V]	[Hz]				[m/min]	[ft/min]	[m ³ /min]	[ft ³ /min]	
Z60WS	230	50	Hi	87	192	201	659	235	8299	8

*Hi - Notch 7

PRODUCT INFORMATION

Wireless Remote Control Type

M56SR 140cm(56")



Features

- Wireless remote control
- 3-speed selection
- 1, 3, 6 hours timer
- Sleep mode
- Thermal fuse prevent overheating or power surge
- Safety wire provided
- Cut-off safety switch equipped
- Fall prevention of blade adopted
- Permanently lubricated ball-bearing assembly
- Color option: Platinum Silver or White

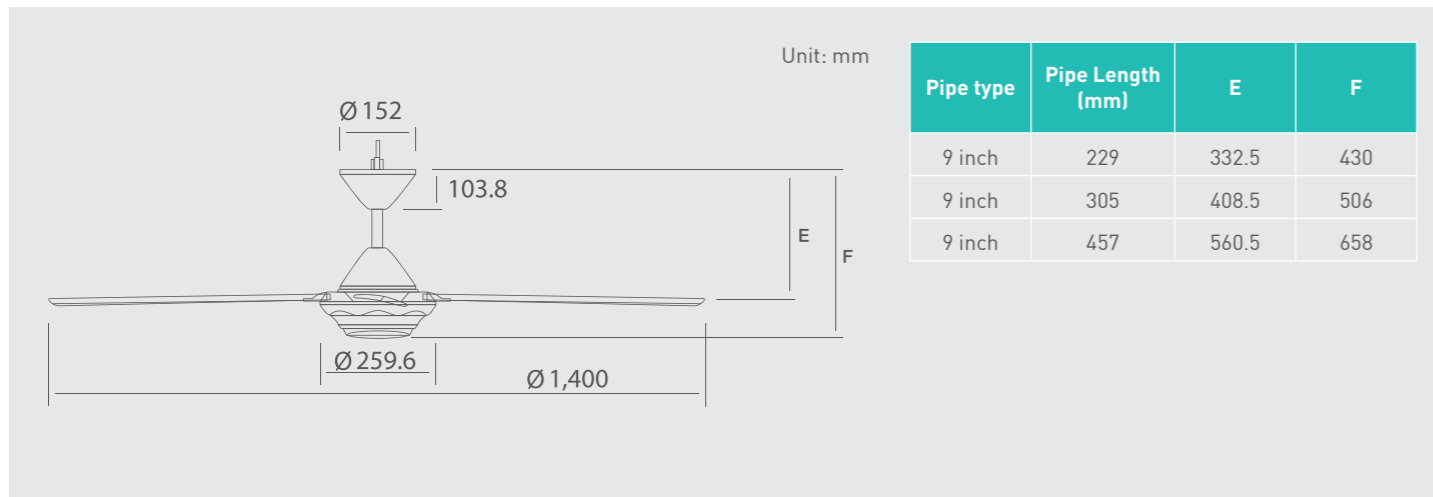
R48SP 120cm(48")



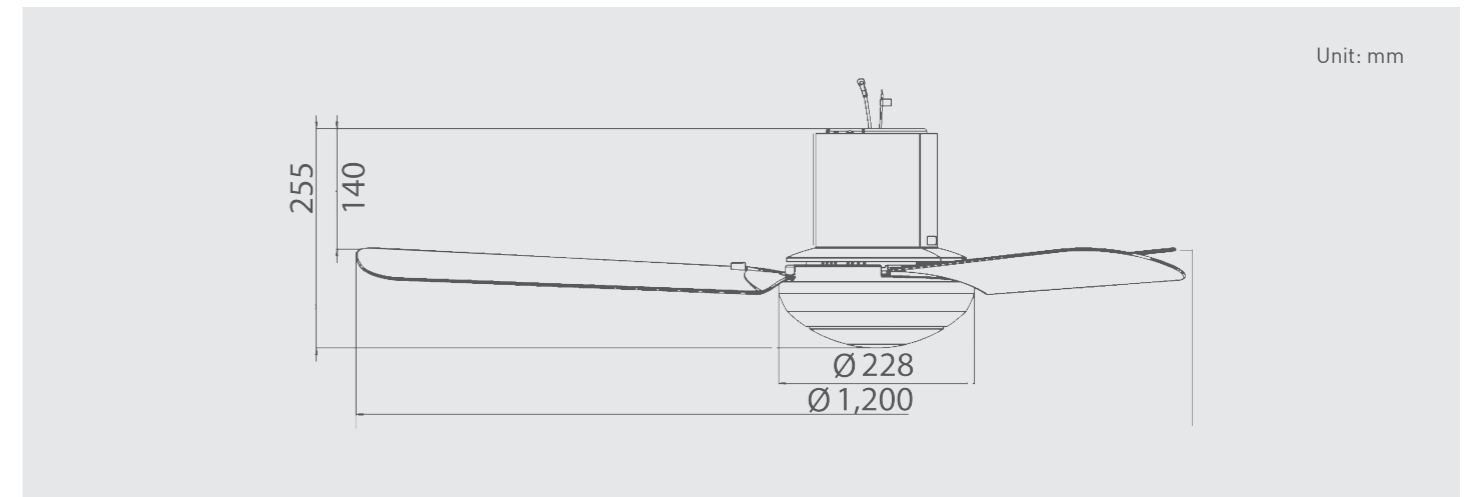
Features

- Wireless remote control
- 3-speed selection
- 1, 3, 6 hours timer
- Sleep mode
- PPG blade material for durability
- Thermal fuse prevent overheating or power surge
- Safety wire provided
- Cut-off safety switch equipped
- Fall prevention of blade adopted
- Permanently lubricated ball-bearing assembly
- Color option: Silver or White

Dimensions



Dimensions



Specifications

Model No.	Voltage		*	Consumption [W]	RPM [min ⁻¹]	Air Velocity		Air Delivery		Weight [kg]
	[V]	[Hz]				[m/min]	[ft/min]	[m ³ /min]	[ft ³ /min]	
M56SR	230	50	Hi	64	190	155	509	190	6710	6.9

*Hi - Notch 3

Specifications

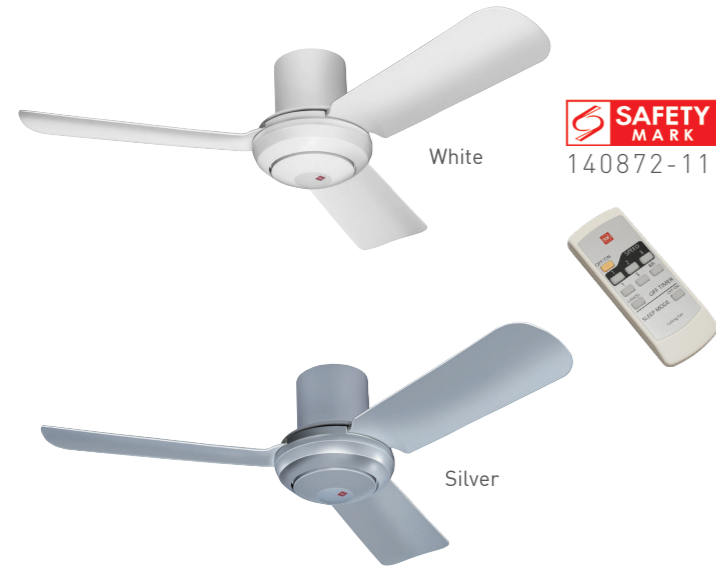
Model No.	Voltage		*	Consumption [W]	RPM [min ⁻¹]	Air Velocity		Air Delivery		Weight [kg]
	[V]	[Hz]				[m/min]	[ft/min]	[m ³ /min]	[ft ³ /min]	
R48SP	230	50	Hi	60	237	175	574	170	6003	5.5

*Hi - Notch 3

PRODUCT INFORMATION

Wireless Remote Control Type

M11SU 110cm(44")



Features

- Wireless remote control
- 3-speed selection
- Blade made of rigid ABS material with painting
- 1, 3, 6 hours timer
- Sleep mode
- Thermal fuse prevent overheating or power surge
- Safety wire provided
- Cut-off safety switch equipped
- Fall prevention of blade adopted
- Permanently lubricated ball-bearing assembly
- Color option: White or Silver

Regulator Control Type

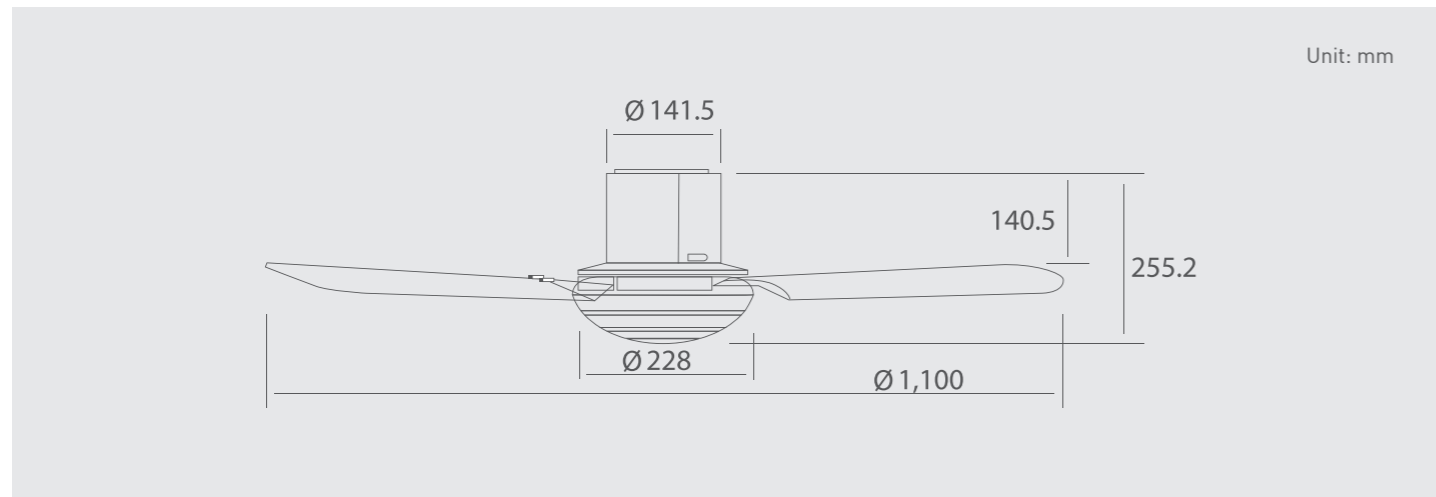
M48SG 120cm(48")



Features

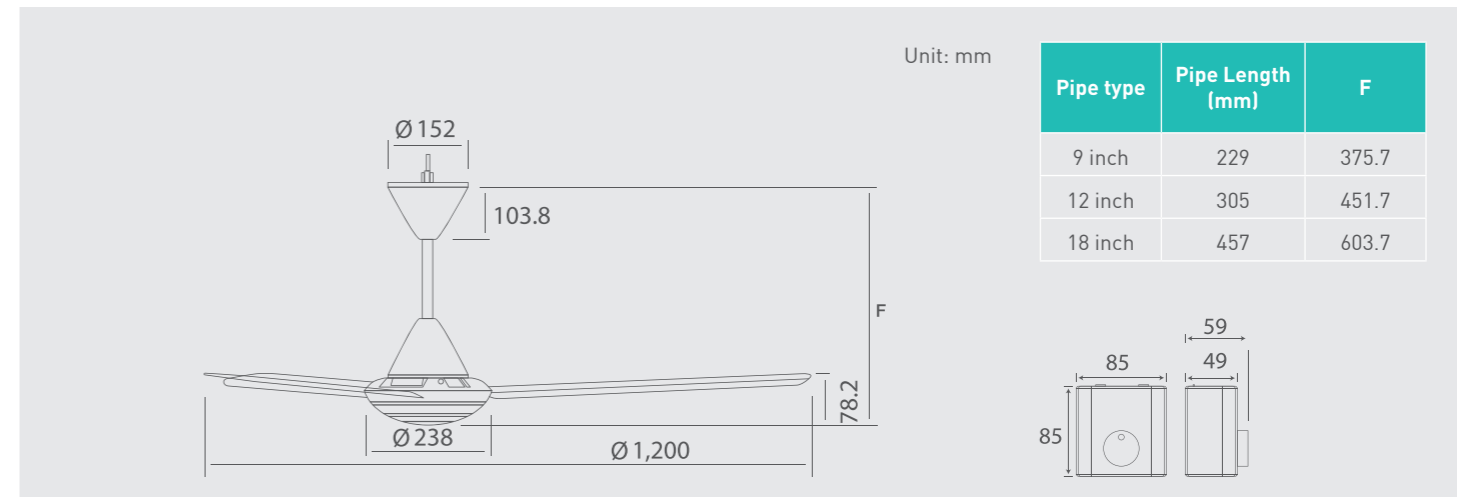
- Compact size condenser controlled regulator
- 5-speed selection
- Thermal fuse prevent overheating or power surge
- Safety wire provided
- Cut-off safety switch equipped
- Fall prevention of blade adopted
- Permanently lubricated ball-bearing assembly
- Color option: White or Black

Dimensions



Unit: mm

Dimensions



Unit: mm

Specifications

Model No.	Voltage		*	Consumption [W]	RPM [min ⁻¹]	Air Velocity		Air Delivery		Weight [kg]
	[V]	[Hz]				[m/min]	[ft/min]	[m ³ /min]	[ft ³ /min]	
M11SU	230	50	Hi	54	220	190	623	160	5650	5.1

*Hi - Notch 3

Specifications

Model No.	Voltage		*	Consumption [W]	RPM [min ⁻¹]	Air Velocity		Air Delivery		Weight [kg]
	[V]	[Hz]				[m/min]	[ft/min]	[m ³ /min]	[ft ³ /min]	
M48SG	230	50	Hi	49	296	165	541	160	5650	5.3

*Hi - Notch 5

PRODUCT INFORMATION

Regulator Control Type

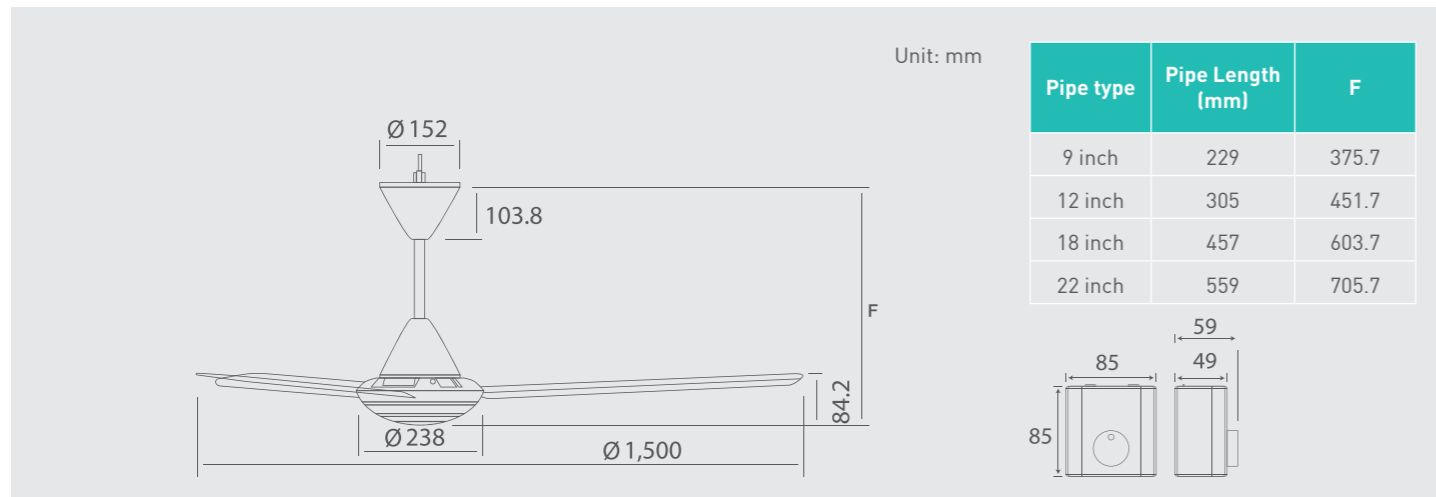
M60SG 150cm(60")



Features

- Compact size condenser controlled regulator
- 5-speed selection
- Thermal fuse prevent overheating or power surge
- Safety wire provided
- Cut-off safety switch equipped
- Fall prevention of blade adopted
- Permanently lubricated ball-bearing assembly
- Color option: White or Black

Dimensions



Specifications

Model No.	Voltage		*	Consumption [W]	RPM [min ⁻¹]	Air Velocity		Air Delivery		Weight [kg]
	[V]	[Hz]				[m/min]	[ft/min]	[m ³ /min]	[ft ³ /min]	
M60SG	230	50	Hi	71	233	160	525	225	7946	5.7

*Hi - Notch 5

SPECIFICATION

Model No.		Consumption [W]	RPM [min ⁻¹]	Air Velocity		Air Delivery		Weight [kg]
				[m/min]	[ft/min]	[m ³ /min]	[ft ³ /min]	
Direct Current (DC) Motor, Mobile Control Type								
E48GP	Hi	50 (Fan+Light)	170	185	607	200	7063	5.5
E48HP	Hi	31	170	185	607	200	7063	5.2
Direct Current (DC) Motor, Wireless Remote Control Type								
W56WV	Hi	39	228	180	591	220	7769	4.9
U60FW	Hi	61 (Fan+Light)	230	205	673	240	8176	Short / Long 6.0 / 6.2
U48FP	Hi	45 (Fan+Light)	235	180	590	182	6427	4.9
T60AW	Hi	39	230	205	673	240	8476	5.3
Wireless Remote Control Type								
V56VK	Hi	77	200	180	591	220	7763	6.4
Z60WS	Hi	87	192	201	659	235	8299	8
M56SR	Hi	64	190	155	509	190	6710	6.9
R48SP	Hi	60	237	175	574	170	6003	5.5
M11SU	Hi	54	220	190	623	160	5650	5.1
Regulator Control Type								
M48SG	Hi	49	296	165	541	160	5650	5.3
M60SG	Hi	71	233	160	525	225	7945	5.7

COMPARISON

Features	Mobile Control Type		Wireless Remote Control Type									Regulator Control Type	
	E48GP	E48HP	W56WV	U60FW	U48FP	T60AW	V56VK	Z60WS	M56SR	R48SP	M11SU	M48SG	M60SG
Thermal Safety Fuse	✓	✓	✓	✓	✓	✓	✓	✓	✓	✓	✓	✓	✓
Safety Wire	✓	✓	✓	✓	✓	✓	✓	✓	✓	✓	✓	✓	✓
Cut-off Safety Switch	✓	✓	✓	✓	✓	✓	✓	✓	✓	✓	✓	✓	✓
Fall Prevention of Blade	✓	✓	✓	✓	✓	✓	✓	✓	✓	✓	✓	✓	✓
Direct Current Motor	✓	✓	✓	✓	✓	✓							
Auto Mode (Thermal Sensor)						✓	✓						
3D Blade	✓	✓	✓	✓	✓	✓	✓	✓		✓			
PPG Material Blade			✓	✓	✓	✓	✓	✓					
ABS-G Material Blade	✓	✓											
Sleep Mode	✓	✓	✓	✓	✓	✓	✓	✓					
1/f Yuragi	✓	✓	✓	✓	✓	✓	✓	✓					
LED Lamp							✓						
Wi-Fi Connection	✓	✓											
Infrared Remote Controller	✓	✓											
LED Lighting	✓			✓	✓								

MOBILE CONTROL TYPE

Network Adaptor Specification	
Network Adaptor	Wi-Fi Module (built-in)
Model	DNSK-P11
Input Voltage	DC 5V (From Ceiling Fan Unit)
Current Consumption	Tx/Rx max. 290/100 mA
Wi-Fi Standard	IEEE 802.11 b/g/n
Frequency Range	2.4 GHz band
Encryption	WPA2-PSK (TKIP/AES)

Maximum ratio-frequency power transmitted in the frequency bands

Type of wireless	Frequency band	Max. EIPR (dBm)
WLAN	2412 – 2472 MHz	20 dBm



SINCE 1909
JAPAN

Sole agent :
Capital Distributors (S) Pte Ltd
9 Tagore Lane #02-31 to 33
9@ Tagore, Singapore 787472
Tel: (65) 6288 9190
Fax: (65) 6288 5869
E-mail: sales@capital.com.sg
Website: www.kdk.sg

KDK Company, Division of PES
4017, Takaki-cho, Kasugai, Aichi, Japan
<http://kdk.jp>

- Actual colors may vary slightly from shown.
- Specifications are subject to change without prior notice.

CATALOG NO.: K-SGCF002F1

07.22