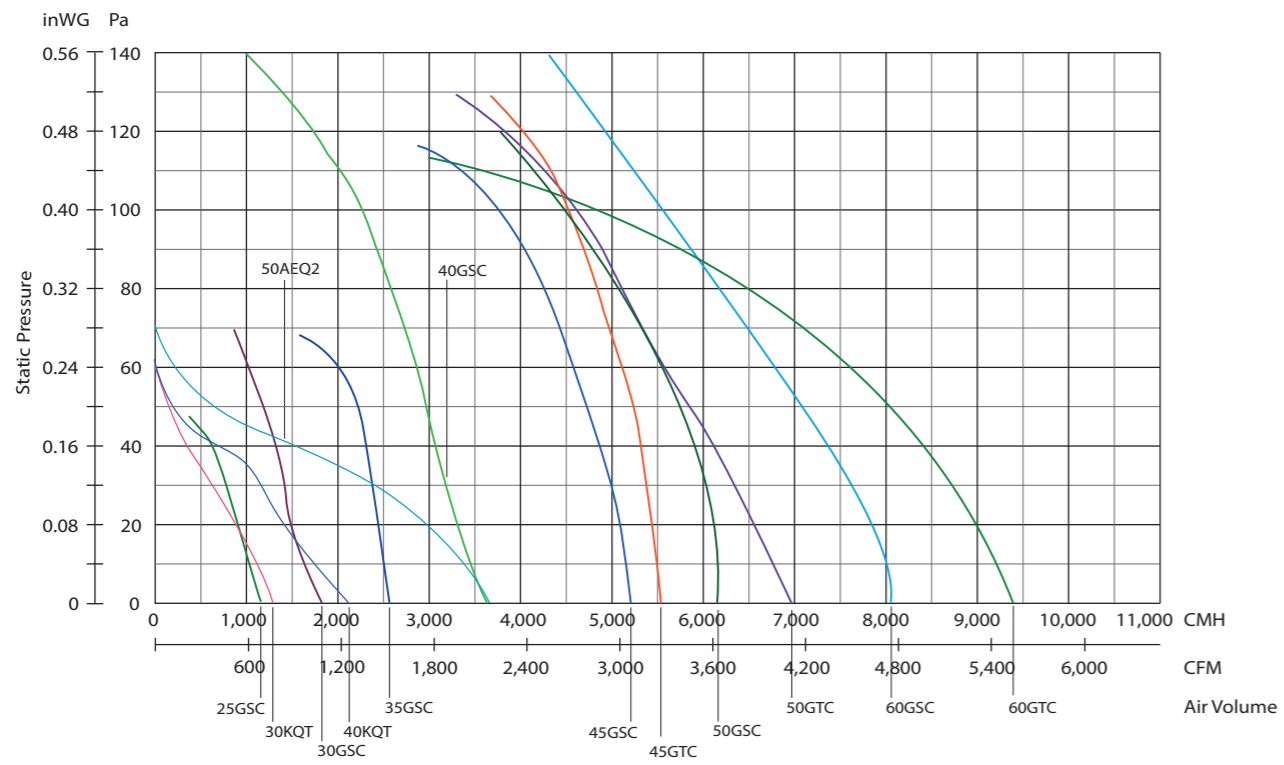
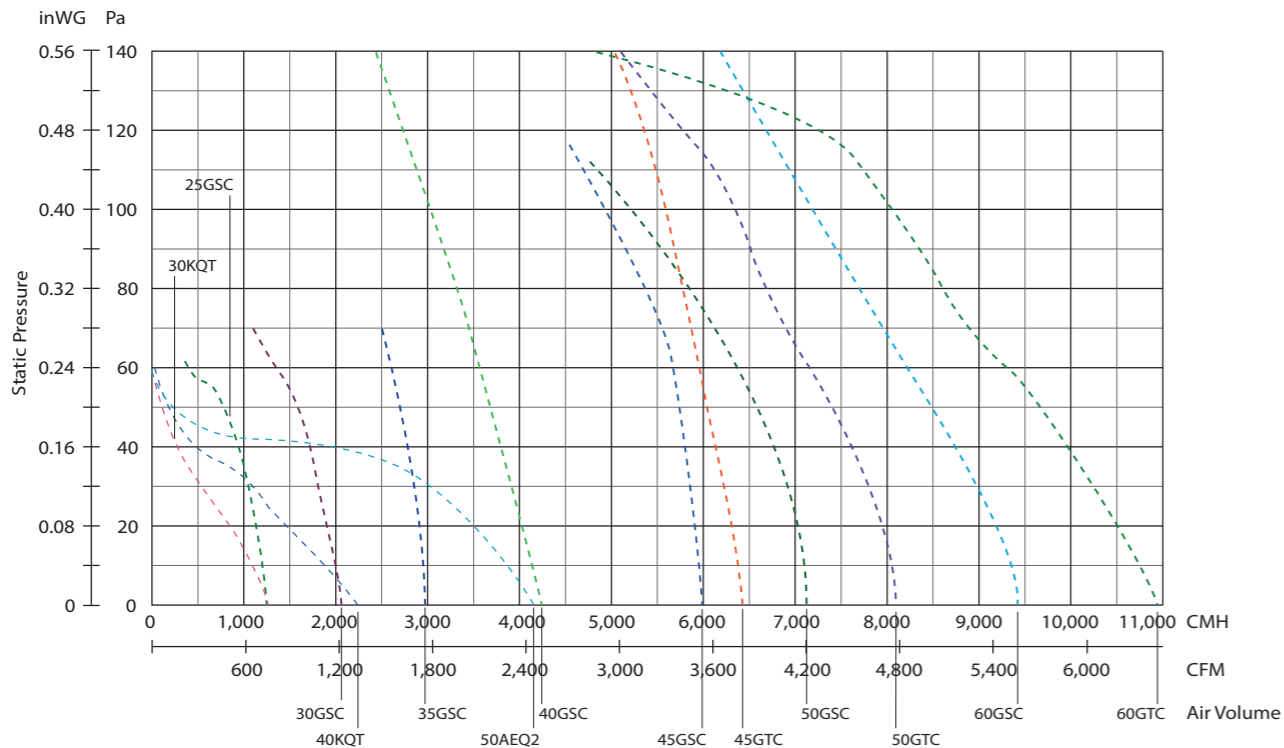


SELECTION CHART

50Hz



60Hz



Note: Performance data are at 220V for single phase models and 380V for three phase models.



SINCE 1909
JAPAN



INDUSTRIAL VENTILATING FANS



KDK Company, Division of PES
4017, Takaki-cho, Kasugai, Aichi, Japan.
<http://kdk.jp>

• Actual colors may vary slightly from those shown.
• Specifications are subject to change without prior notice.

Catalogue : K-VF005B1
Printed in Hong Kong : 04.16

Industrial Ventilating Fans can be used in factories, warehouses, shops, commercial kitchens and other places where large air change is necessary. Particular models are applicable for the places being ventilated by duct pipe through which static pressure is relative high. Explosion-proof series can eliminate dangerous atmosphere produced by explosive or flammable gas as well as dust given off in paint shops, etc.

Features of High Pressure Series

1 High Static Pressure, Low Power Consumption

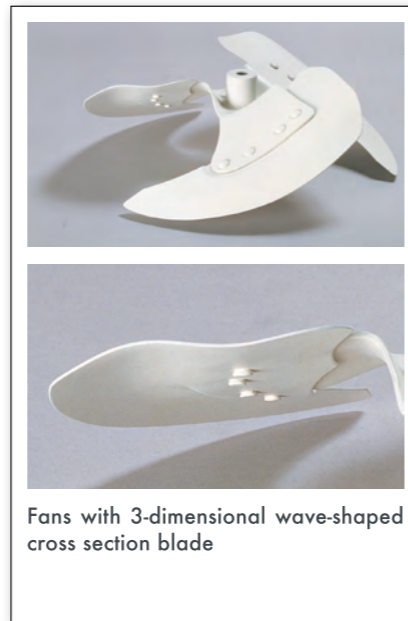
The unique design of wave-shaped blade and bellmouth construction enable better performance in high static pressure and low power consumption.

2 Low Noise Design

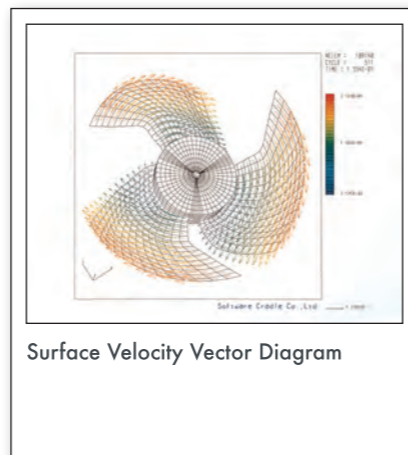
The blade's distinctive wave-shaped is developed by application of hydrodynamic analysis. It can deliver a smooth and turbulence free airflow, meaning the performance in big air volume but with less noise.

3 Improved Durability

Pressure is distributed more uniformly over the surface of the blade, making it more durable. A special polyester resin powder coating give a beautiful color and a highly rust-resistant finishing.



Fans with 3-dimensional wave-shaped cross section blade



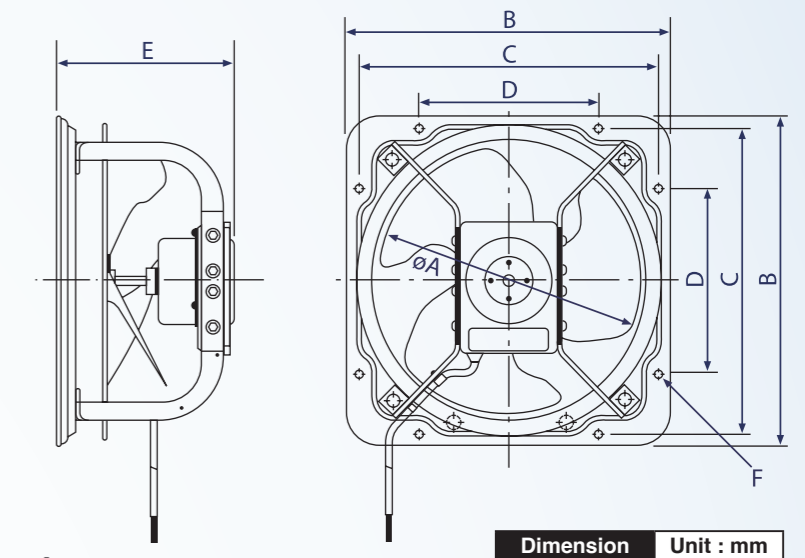
Surface Velocity Vector Diagram



Model No.	A	B	C	D	E	F
25GSC	250	327	298	165	171	10
30GSC	300	378	349	210	200	10
35GSC	350	467	434	250	236	12

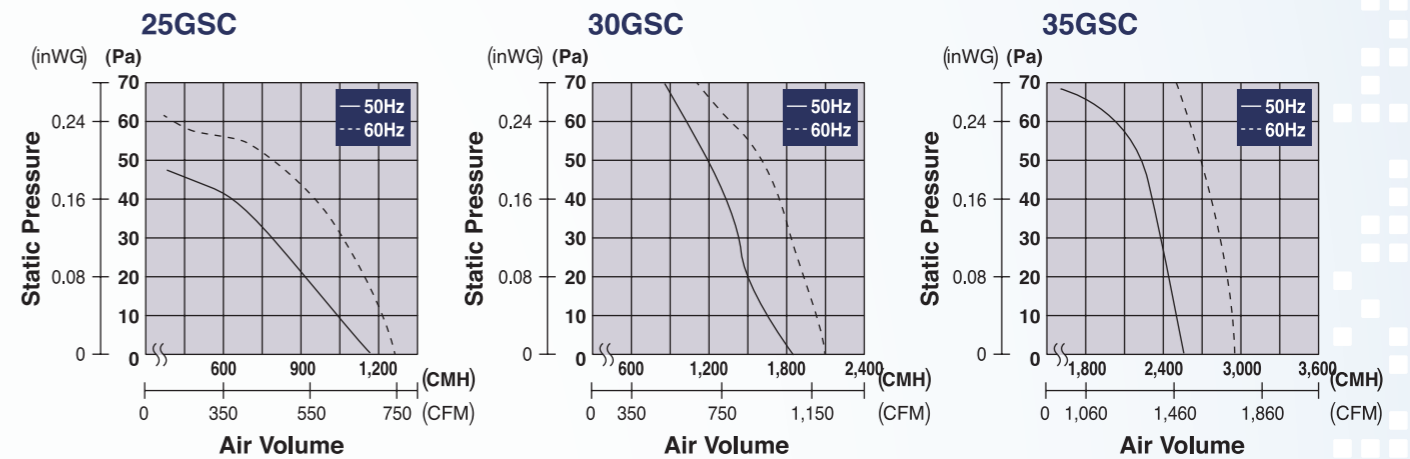
25GSC / 30GSC / 35GSC

- Single Phase
- Reversible
- Bellmouth construction with distinctive wave-shape blade
- Durable powder coating
- High performance motor with thermal cut-off
- Able to be used over an ambient temperature range from -10°C to +50°C
- Possible to install horizontally or vertically



Dimension Unit : mm

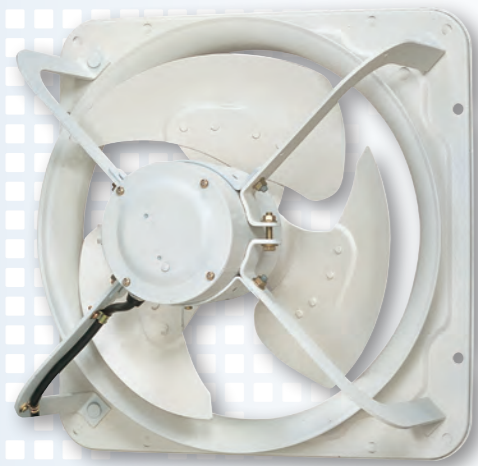
Performance Data (220V 50Hz/60Hz)



Specification

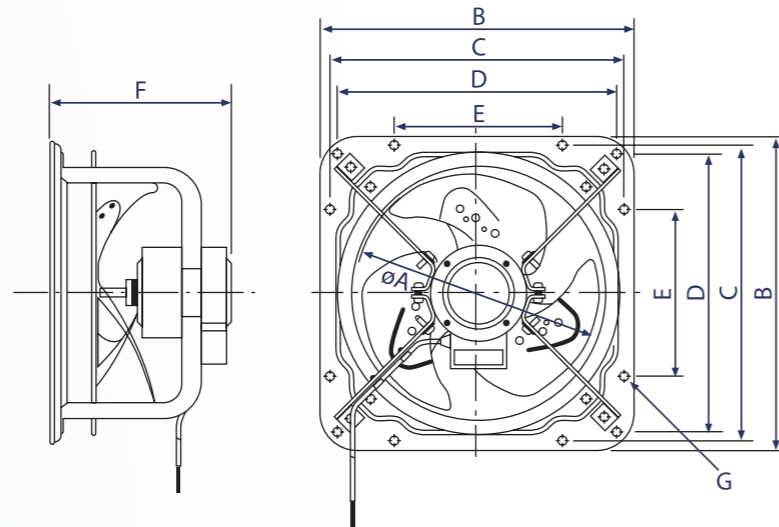
Model No.	Hz	Consumption [W]	RPM [min ⁻¹]	Air Volume		Noise [dB(A)]	Weight [kg]
				[CMH]	[CFM]		
25GSC	50	39	1,360	1,100	653	34	4.4
	60	47	1,560	1,250	735	39	
30GSC	50	59	1,360	1,800	1,059	38	6.1
	60	80	1,560	2,080	1,224	42	
35GSC	50	88	1,420	2,560	1,506	44	10.5
	60	127	1,660	2,940	1,730	48	

Note: The value in Specification tables are representative characteristic value at 220V, 50/60Hz. RPM data is for reference only. Values may vary subject to different conditions.



40GSC

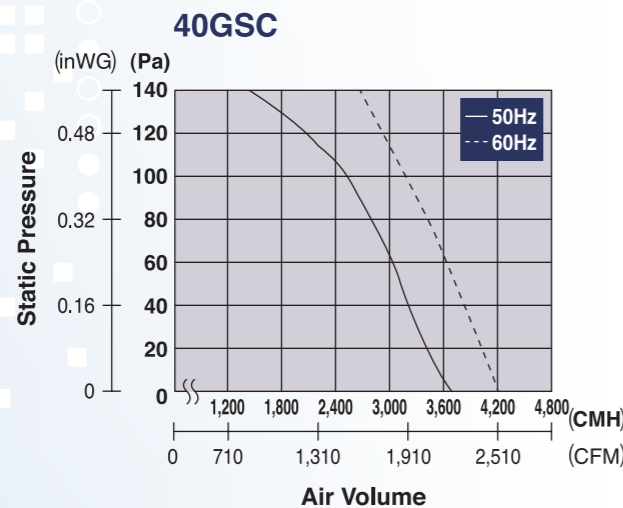
- Single Phase
- Reversible
- Bellmouth construction with distinctive wave-shape blade
- Durable powder coating
- High performance motor with thermal cut-off
- Able to be used over an ambient temperature range from -10°C to +50°C
- Possible to install horizontally or vertically



Dimension Unit : mm

Model No.	A	B	C	D	E	F	G
40GSC	400	518	485	460	280	274	12

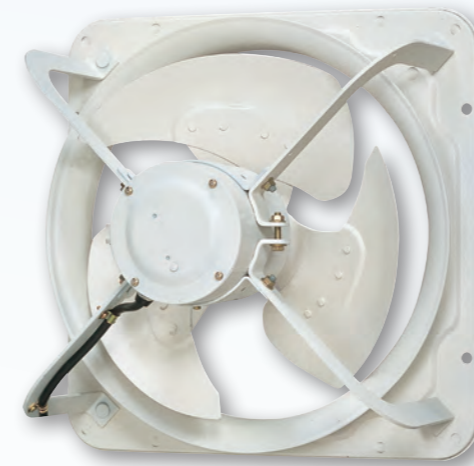
Performance Data (220V 50Hz/60Hz)



Specification

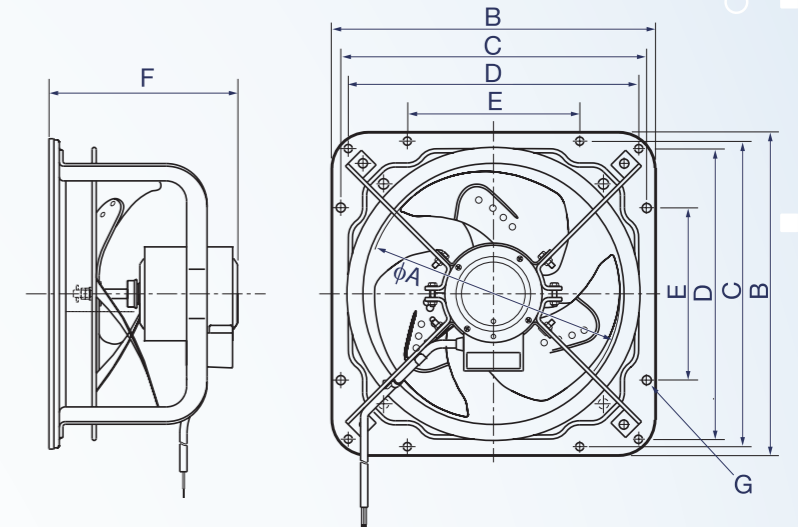
Model No.	Hz	Consumption [W]	RPM [min ⁻¹]	Air Volume		Noise [dB(A)]	Weight [kg]
				[CMH]	[CFM]		
40GSC	50	161	1,450	3,610	2,125	47	19
	60	210	1,710	4,240	2,496	51	

Note: The value in Specification tables are representative characteristic value at 220V, 50/60Hz. RPM data is for reference only. Values may vary subject to different conditions.



45GSC / 50GSC / 60GSC

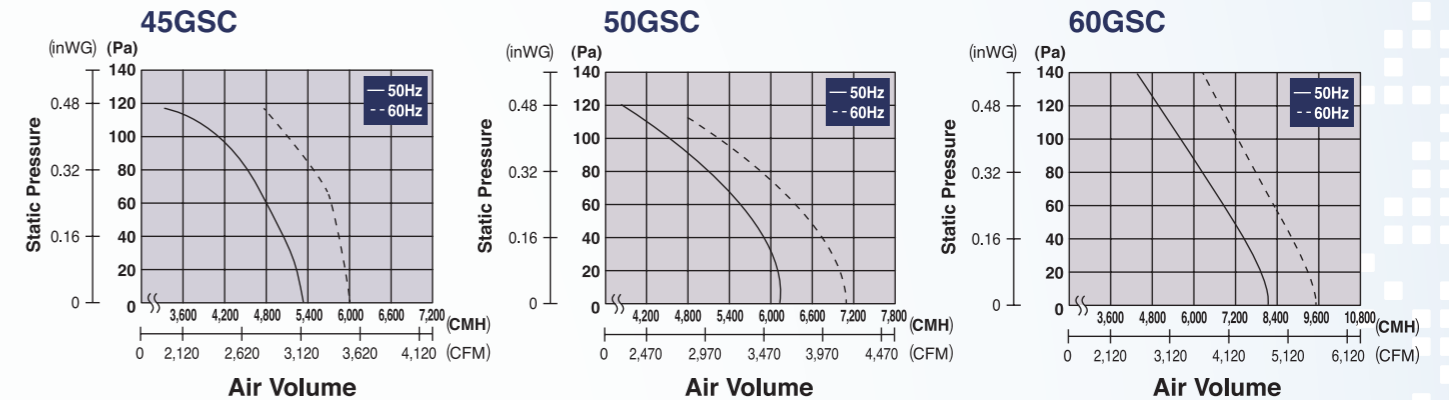
- Single Phase
- Reversible
- Bellmouth construction with distinctive wave-shape blade
- Durable powder coating
- High performance motor with thermal cut-off
- Able to be used over an ambient temperature range from -10°C to +50°C
- Possible to install horizontally or vertically



Dimension Unit : mm

Model No.	A	B	C	D	E	F	G
45GSC	450	570	540	-	320	297	12
50GSC	500	659	620	560	355	315	15
60GSC	620	760	720	650	400	320	15

Performance Data (220V 50Hz/60Hz)



Specification

Model No.	Hz	Consumption [W]	RPM [min ⁻¹]	Air Volume		Noise [dB(A)]	Weight [kg]
				[CMH]	[CFM]		
45GSC	50	227	1,410	5,200	3,061	51	19
	60	325	1,630	5,970	3,514	54	
50GSC	50	249	960	6,130	3,608	47	22.5
	60	326	1,130	7,100	4,179	51	
60GSC	50	245	970	8,040	4,732	50	34
	60	361	1,150	9,410	5,539	54	

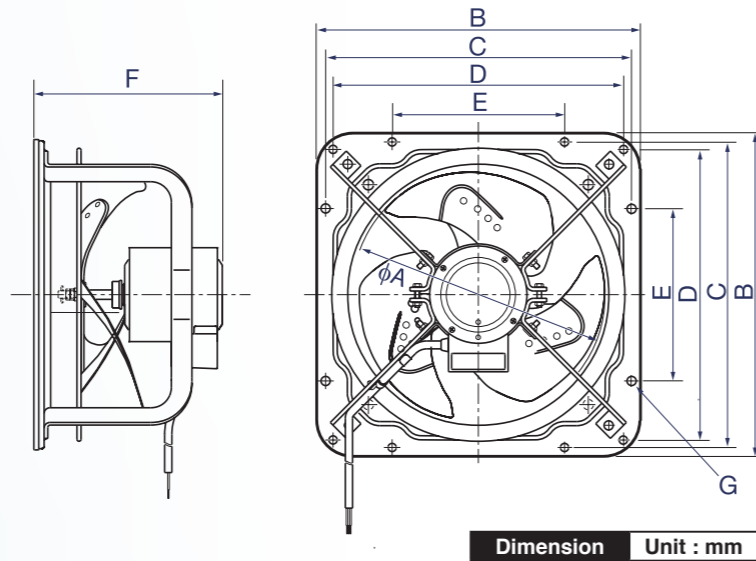
Note: The value in Specification tables are representative characteristic value at 220V, 50/60Hz. RPM data is for reference only. Values may vary subject to different conditions.



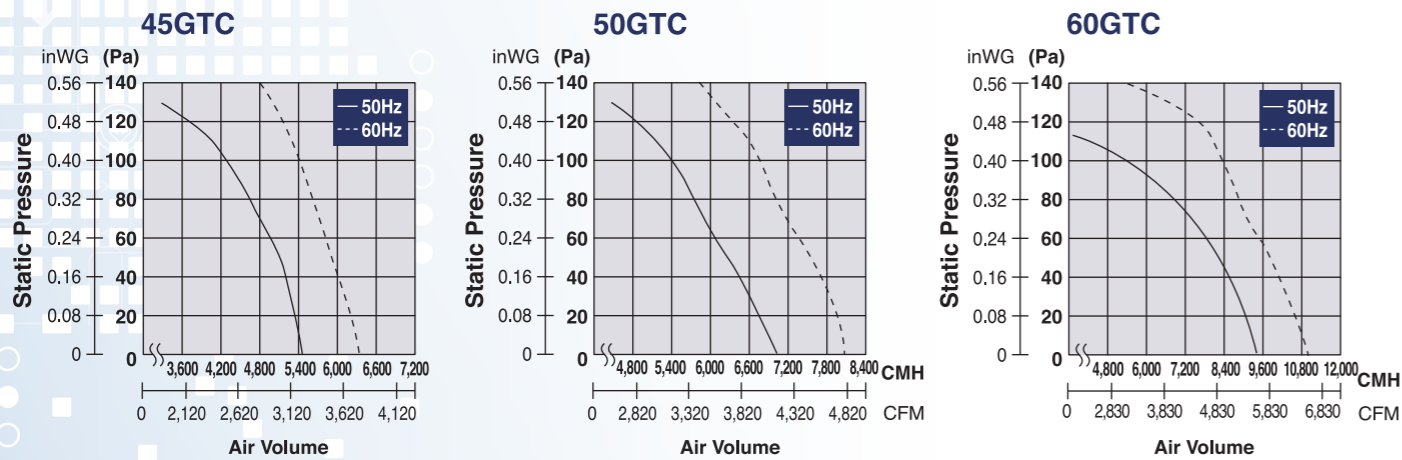
45GTC / 50GTC / 60GTC

- Three Phase
- Reversible
- Bellmouth construction with distinctive wave-shape blade
- Durable powder coating
- High performance motor with thermal cut-off
- Able to be used over an ambient temperature range from -10°C to +50°C
- Possible to install horizontally or vertically

Model No.	A	B	C	D	E	F	G
45GTC	450	570	540	-	320	297	12
50GTC	500	659	620	560	355	304	15
60GTC	620	760	720	650	400	320	15



Performance Data (220V 50Hz/60Hz)



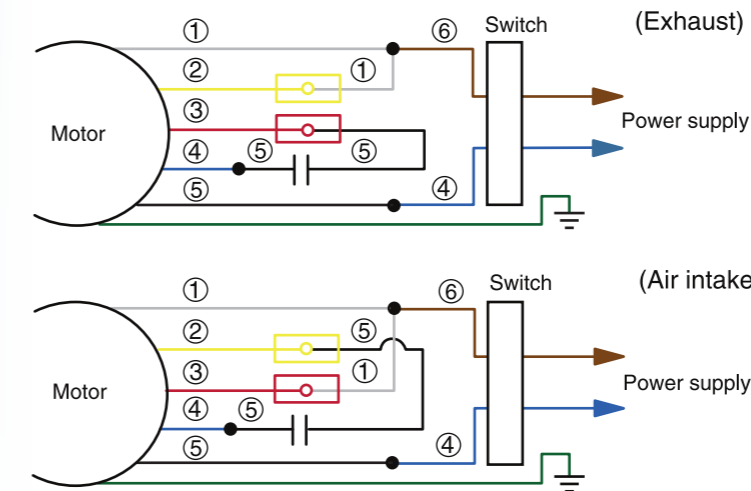
Specification

Model No.	Hz	Consumption [W]	RPM [min ⁻¹]	Air Volume		Noise [dB(A)]	Weight [kg]
				[CMH]	[CFM]		
45GTC	50	220	1,450	5,520	3,249	52	18.5
	60	330	1,690	6,420	3,779	56	
50GTC	50	320	1,400	6,960	4,097	54	28.5
	60	475	1,590	8,010	4,715	58	
60GTC	50	310	940	9,420	5,544	49	34
	60	450	1,070	10,920	6,427	53	

Note: The value in Specification tables are representative characteristic value at 380V, 50/60Hz. RPM data is for reference only. Values may vary subject to different conditions.

Wiring Diagram

For single-phase models

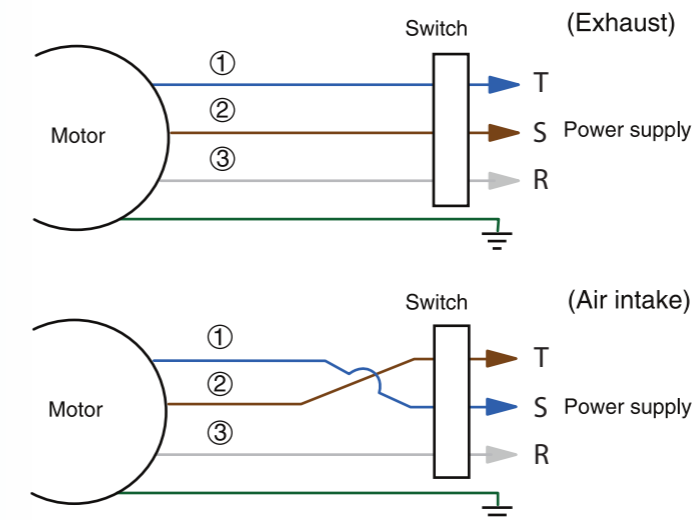


①	White
②	Yellow
③	Red
④	Blue
⑤	Black
⑥	Brown

Intake Airflow (Reverse Rotation)

- 1) Exchange the connection of the wire ① and wire ⑤ as shown in the wiring diagram
- 2) Change the blade in reverse position by referring to operation instruction

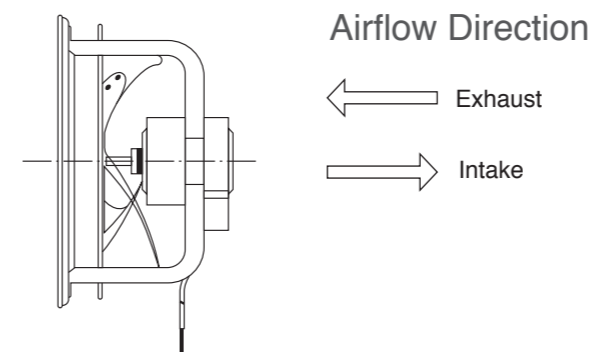
For three-phase models



①	Blue
②	Brown
③	White

Intake Airflow (Reverse Rotation)

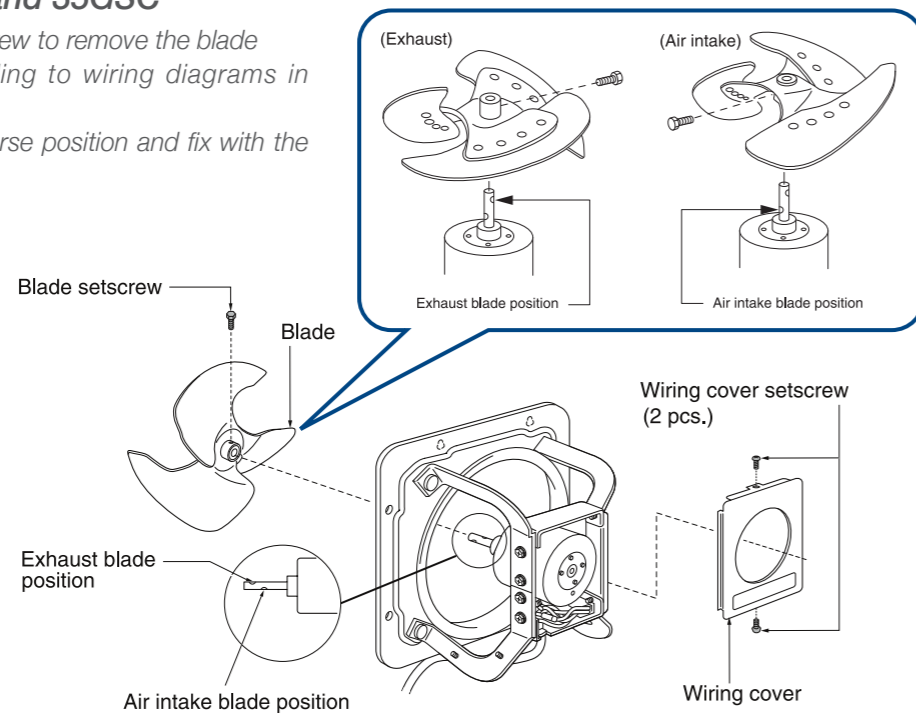
- 1) Reverse the connection of two wires among the three wires
- 2) Change the blade in reverse position by referring to operation instruction



Setting of Reverse Airflow

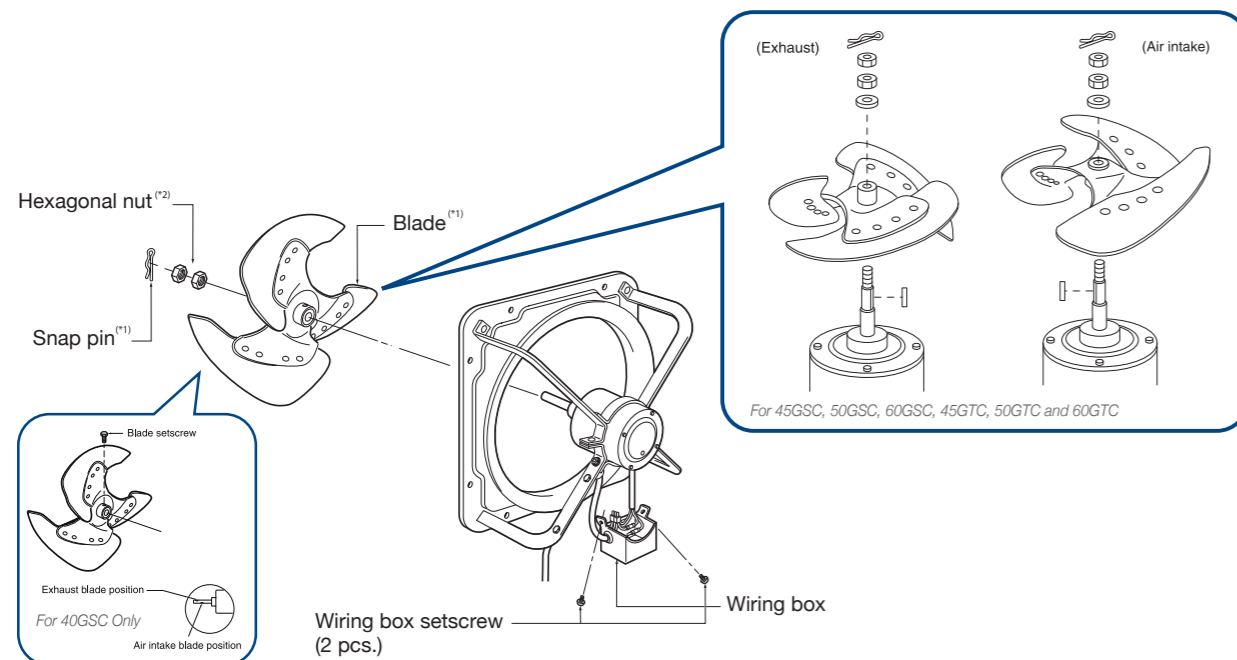
For 25GSC, 30GSC and 35GSC

1. Loosen the blade setscrew to remove the blade
2. Set the wiring according to wiring diagrams in operation instruction
3. Mount the blade in reverse position and fix with the blade setscrew



For 40GSC, 45GSC, 50GSC, 60GSC, 45GTC, 50GTC and 60GTC

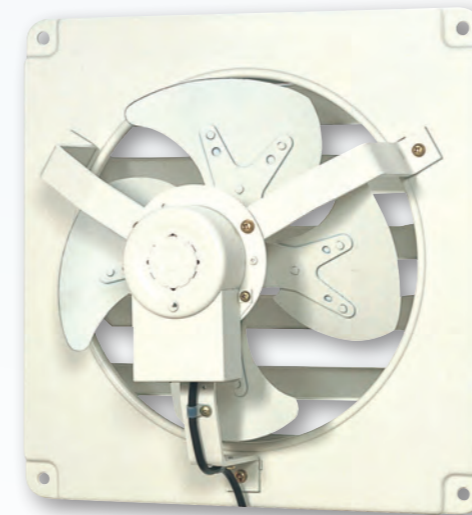
1. Loosen the blade setscrew ⁽¹⁾ or snap pin / hexagonal nut ⁽²⁾ to remove the blade
2. Set the wiring according to wiring diagrams in operation instruction
3. Mount the blade in reverse position and fix with the blade setscrew ⁽¹⁾ or snap pin / hexagonal nut ⁽²⁾



⁽¹⁾ For 40GSC

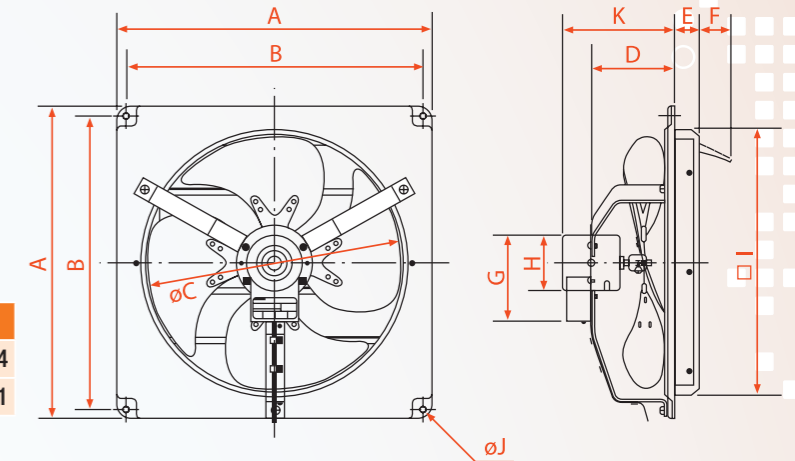
⁽²⁾ For 45GSC, 50GSC, 60GSC, 45GTC, 50GTC and 60GTC

* Air volume of reverse airflow (intake) would be different from exhaust airflow



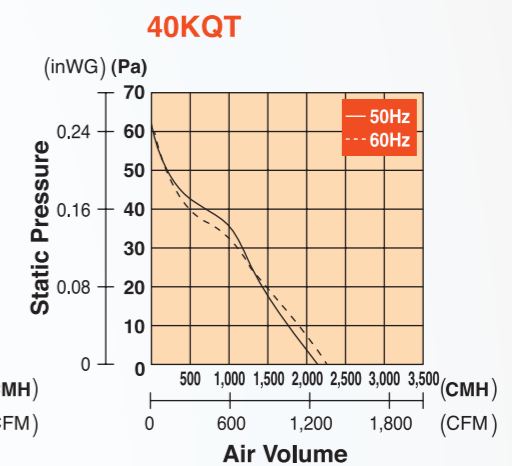
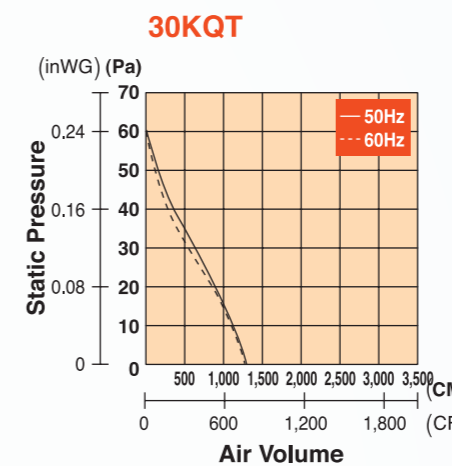
30KQT / 40KQT

- Used in factories, warehouse or other locations in where powerful ventilation is necessary
- Metal large blade assembly for abundant air volume
- Powerful, efficient and durable condenser motor
- Able to be used over an ambient temperature range from -10°C to +50°C



Model No.	A	B	C	D	E	F	G	H	I	J	K
30KQT	420	385	305	116	34	40	141	90	340	10	164
40KQT	510	480	410	133	40	52	141	90	434	10	181

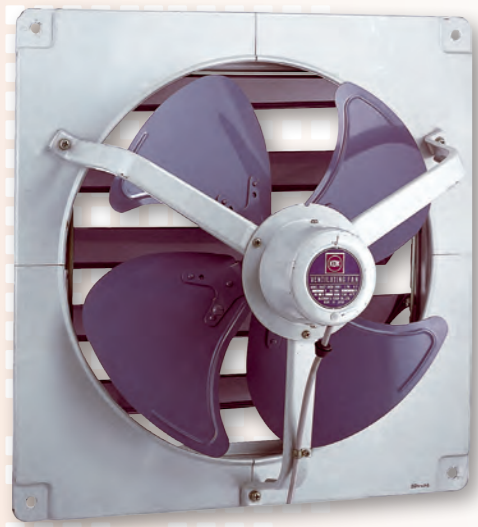
Performance Data (220V 50Hz/60Hz)



Specification

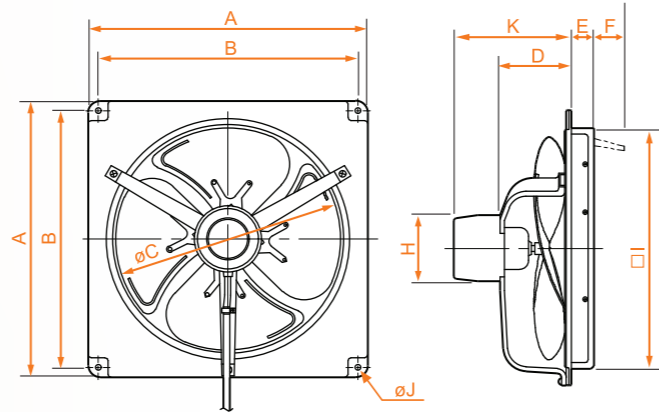
Model No.	Hz	Consumption [W]	RPM [min ⁻¹]	Air Volume		Noise [dB(A)]	Weight [kg]
				[CMH]	[CFM]		
30KQT	50	42	1,185	1,220	718	46	4.9
	60	51	1,255	1,270	747	47	
40KQT	50	61	1,175	2,060	1,212	49	6.4
	60	76	1,260	2,190	1,288	51	

Note: The value in Specification tables are representative characteristic value at 220V, 50/60Hz. RPM data is for reference only. Values may vary subject to different conditions.



50AEQ2

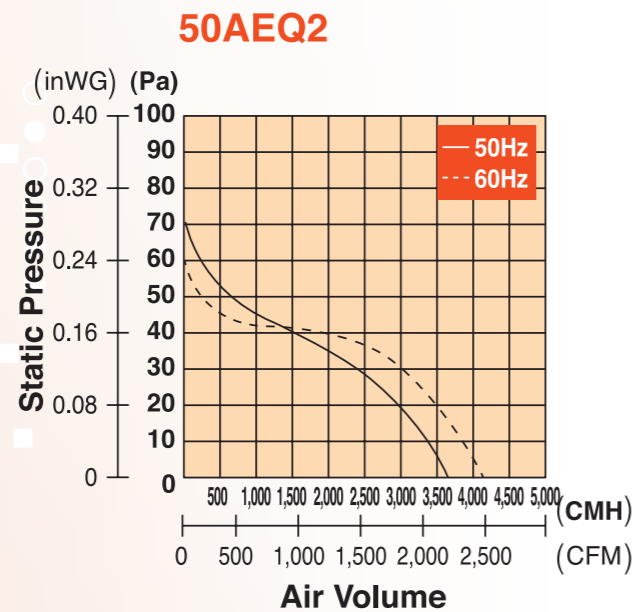
- Used in factories, warehouse or other locations in where powerful ventilation is necessary
- Metal large balde assembly for abundant air volume
- Powerful, efficient and durable condenser motor
- Able to be used over an ambient temperature range from -10°C to +50°C



Dimension Unit : mm

Model No.	A	B	C	D	E	F	G	H	I	J	K
50AEQ2	650	600	500	181	48	63	-	175	526	12	283

Performance Data (220V 50Hz/60Hz)



Specification

Model No.	Hz	Consumption [W]	RPM [min ⁻¹]	Air Volume		Noise [dB(A)]	Weight [kg]
				[CMH]	[CFM]		
50AEQ2	50	108	920	3,630	2,137	54	11.5
	60	130	1,050	4,200	2,472	58	

Note: The value in Specification tables are representative characteristic value at 220V, 50/60Hz. RPM data is for reference only. Values may vary subject to different conditions.

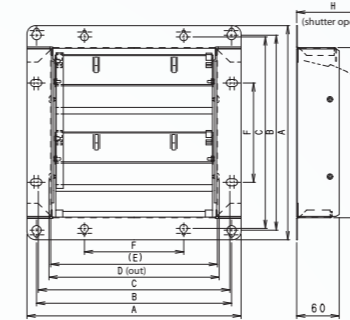
Shutters for High Pressure Series



Automatic shutters

- 25GASC (25cm/10")
- 30GASC (30cm/12")
- 35GASC (35cm/14")
- 40GASC (40cm/16")
- 45GASC (45cm/18")
- 50GASC (50cm/20")
- 60GASC (60cm/24")

Dimensions (mm)



Model No	A	B	C	D	E	F	G	H	Nos of Shutter
25GASC	330	303	298	268	263	165	268	137	2
30GASC	381	354	349	319	314	210	319	122	3
35GASC	468	433	434	389	384	250	389	137	3
40GASC	519	484	485	440	435	280	440	122	4
45GASC	574	539	540	492	487	320	492	137	5
50GASC	660	625	620	545	540	355	545	122	5
60GASC	760	725	720	662	657	400	662	122	6