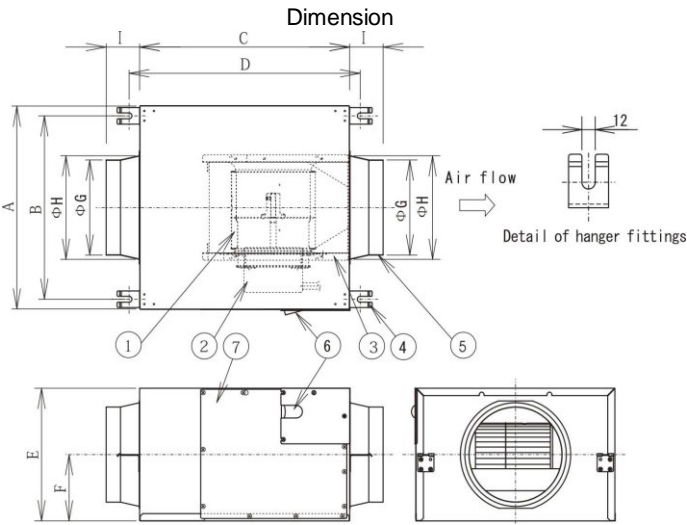


Specification Data Sheet

Issue date: 2009.05.22
Revise date: 2009.06.19

Cabinet Fan Model No. 12NSB



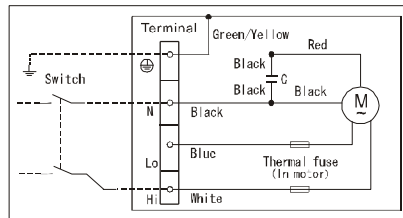
Parts list

No.	Parts name	Q'ty	Material
1	Impeller	1	METAL
2	Motor	1	-
3	Fan casing	1	METAL
4	Hanger fitting	4	METAL
5	Adapter	2	METAL
6	Terminal cover	1	METAL
7	Inspection panel	1	METAL

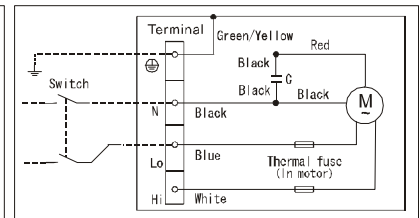
Unit: mm

A	B	C	D	E	F	G	H	I	CONNECTER DUCT DIMENSION
290	250	291	335	184	92	97	112	51	Φ100

Wiring Diagram

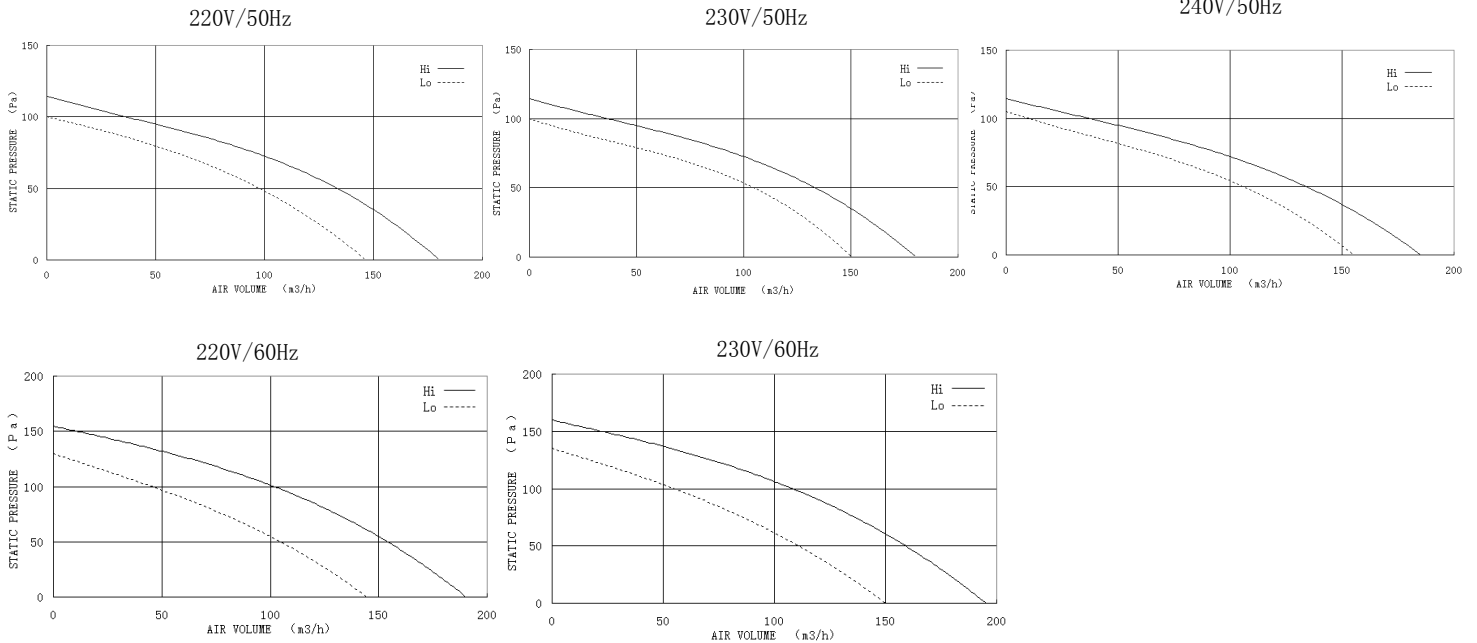


Hi Speed



Lo Speed

Air Volume - Static Pressure Curve

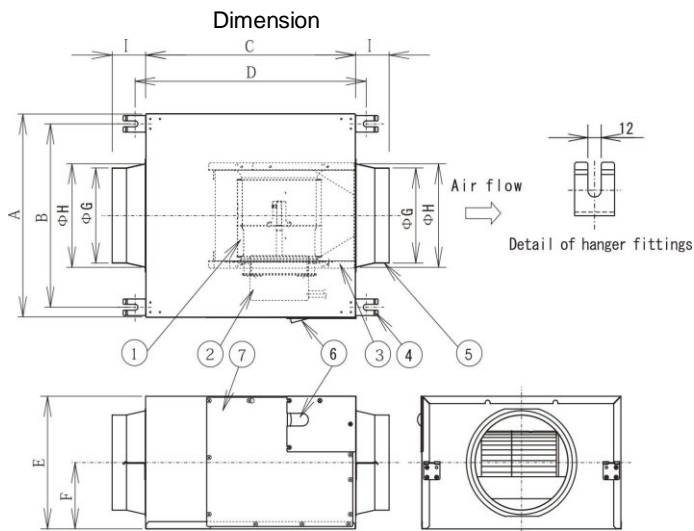


Specifications

Power Rating	V/Hz	220/50		230/50		240/50		220/60		230/60	
		Hi	Lo	Hi	Lo	Hi	Lo	Hi	Lo	Hi	Lo
Air Volume	m ³ /h(±10%)	180	145	180	150	185	155	190	145	195	150
Static pressure	Pa	115	100	115	100	115	105	155	130	160	135
Noise Level	dB(A) +3dB,-7dB	21	17	21	18	22	20	22	18	23	19
Consumption	W(±20%)	18	17	20	18	22	19	23	19	27	20
Current	A(±20%)	0.09	0.08	0.09	0.08	0.09	0.08	0.11	0.09	0.12	0.09
Net Weight	kg	5.5									

Specification Data Sheet

Cabinet Fan Model No. 12NSB 12



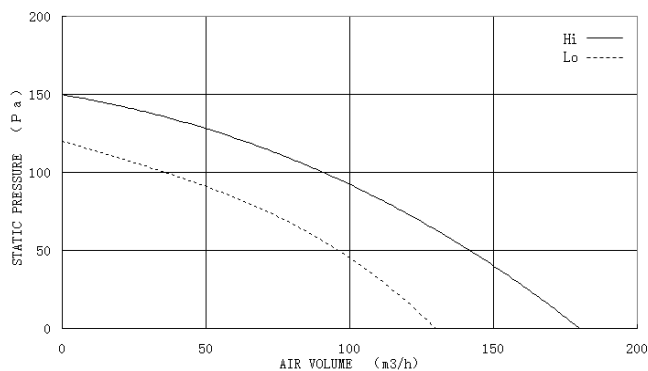
Unit: mm

A	B	C	D	E	F	G	H	I	CONNECTER DUCT DIMENSION
290	250	291	335	184	92	97	112	51	Φ 100

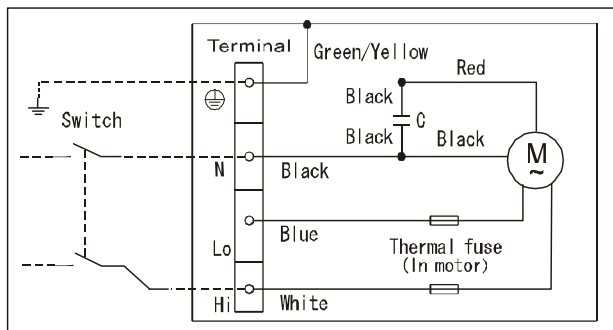
Parts list

No.	Parts name	Q'ty	Material
1	Impeller	1	METAL
2	Motor	1	-
3	Fan casing	1	METAL
4	Hanger fitting	4	METAL
5	Adapter	2	METAL
6	Terminal cover	1	METAL
7	Inspection panel	1	METAL

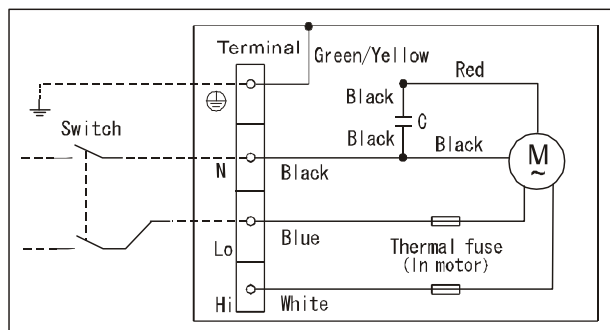
Air Volume - Static Pressure Curve



Wiring Diagram



Hi Speed



Lo Speed

Specifications

Power Rating	V/Hz	127/60	
		Hi	Lo
Air Volume	m³/h(±10%)	180	130
Static pressure	Pa	150	120
Noise Level	dB(A) +3dB,-7dB	19	16
Consumption	W(±20%)	19	18.5
Current	A(±20%)	0.17	0.15
Net Weight	kg	5.5	