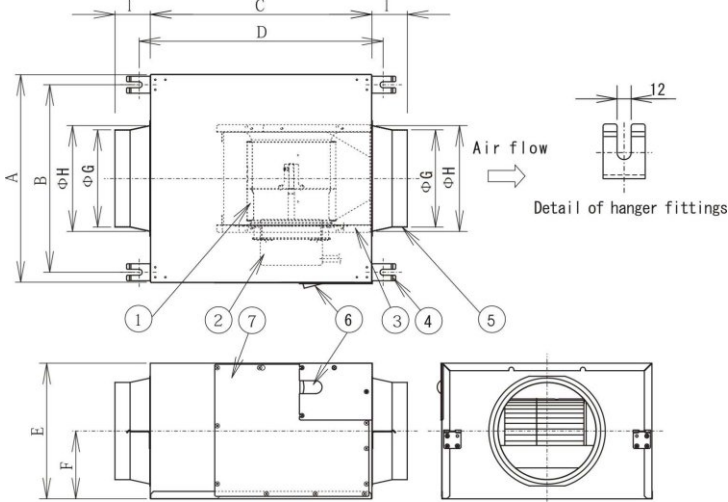


Specification Data Sheet

Issue date: 2009.05.22
 Revise date: 2009.06.19

Cabinet Fan Model No. 15NSB

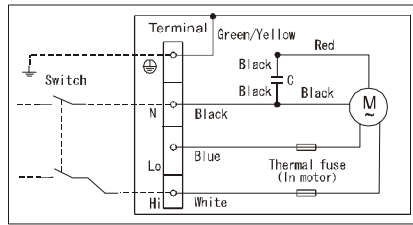
Dimension



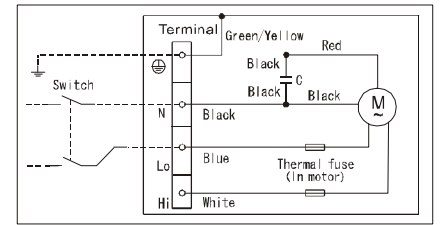
Parts list

No.	Parts name	Q'ty	Material
1	Impeller	1	METAL
2	Motor	1	-
3	Fan casing	1	METAL
4	Hanger fitting	4	METAL
5	Adapter	2	METAL
6	Terminal cover	1	METAL
7	Inspection panel	1	METAL

Wiring Diagram



Hi Speed

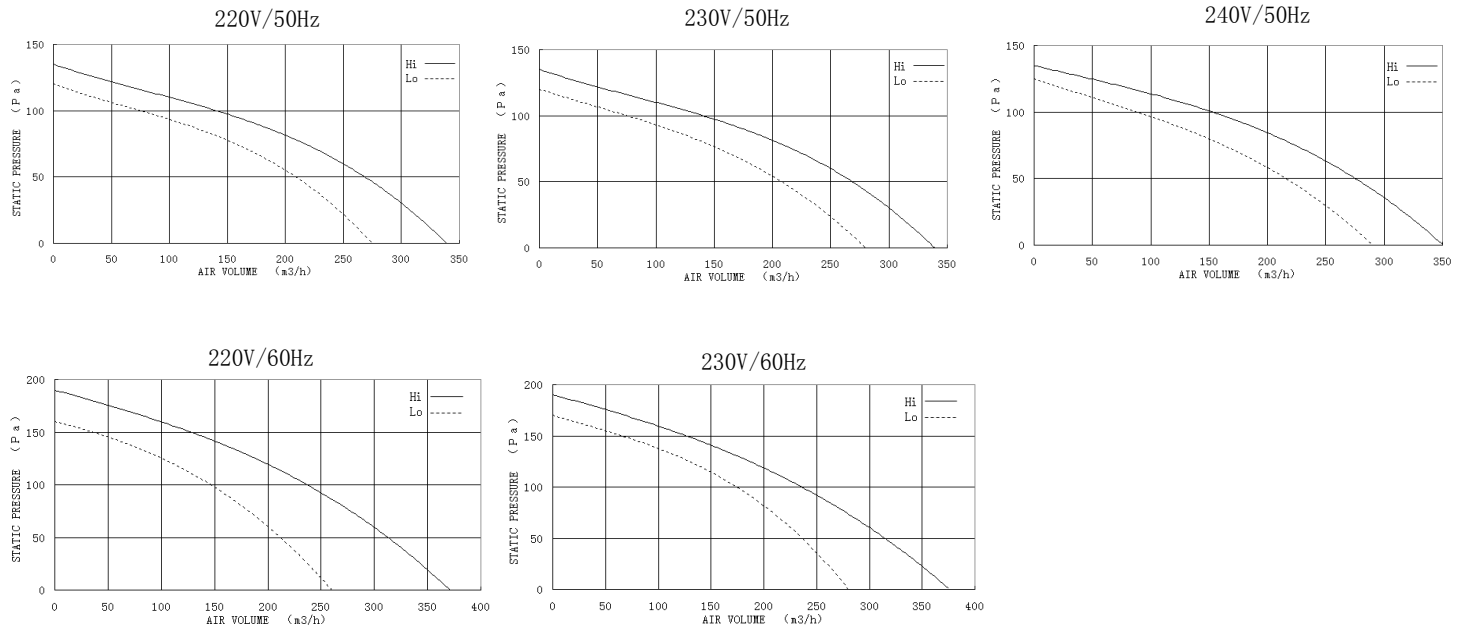


Lo Speed

Unit: mm

A	B	C	D	E	F	G	H	I	CONNECTER DUCT DIMENSION
290	250	302	346	206	103	145	163	60	Φ 150

Air Volume - Static Pressure Curve



Specifications

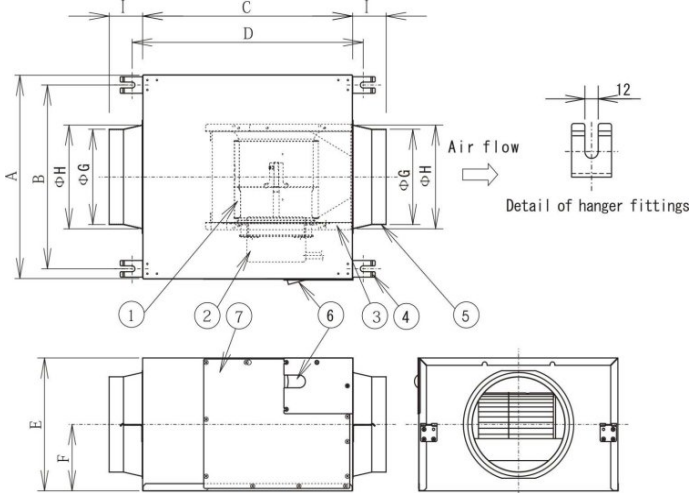
Power Rating	V/Hz	220/50		230/50		240/50		220/60		230/60	
		Hi	Lo	Hi	Lo	Hi	Lo	Hi	Lo	Hi	Lo
Air Volume	m ³ /h(±10%)	340	275	340	280	350	290	370	260	375	280
Static presure	Pa	135	120	135	120	135	125	190	160	190	170
Noise Level	dB(A) +3dB,-7dB	25	22	25	22	26	24	27	22	28	23
Consumption	W(±20%)	33	29.5	35	31	37	33	42	33	46	36
Current	A(±20%)	0.16	0.14	0.16	0.14	0.16	0.14	0.19	0.15	0.2	0.16
Net Weight	kg	6.5									

Specification Data Sheet

Issue date: 2009.05.22
Revise date: 2009.06.19

Cabinet Fan Model No. 15NSB 12

Dimension



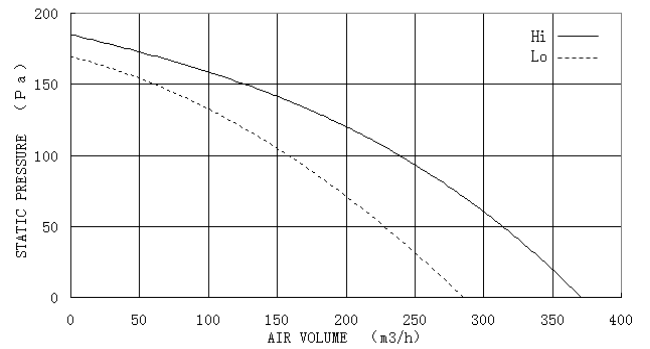
Unit: mm

A	B	C	D	E	F	G	H	I	CONNECTER DUCT DIMENSION
290	250	302	346	206	103	145	163	60	Φ150

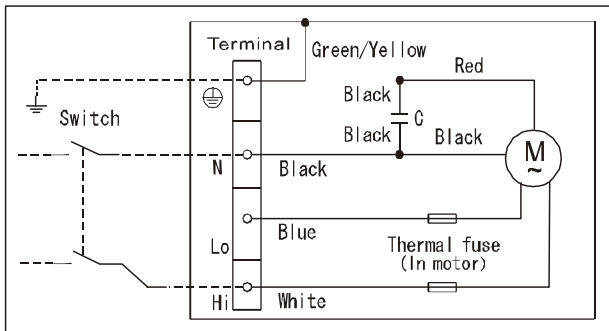
Parts list

No.	Parts name	Q'ty	Material
1	Impeller	1	METAL
2	Motor	1	-
3	Fan casing	1	METAL
4	Hanger fitting	4	METAL
5	Adapter	2	METAL
6	Terminal cover	1	METAL
7	Inspection panel	1	METAL

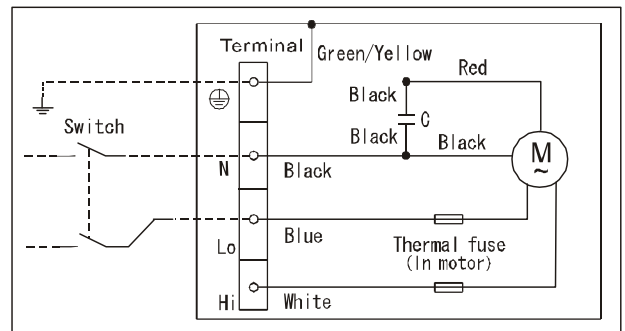
Air Volume - Static Pressure Curve



Wiring Diagram



Hi Speed



Lo Speed

Specifications

Power Rating	V/Hz	127/60	
		Hi	Lo
Air Volume	m ³ /h(±10%)	370	285
Static pressure	Pa	185	170
Noise Level	dB(A) +3dB,-7dB	27	22
Consumption	W(±20%)	40	35
Current	A(±20%)	0.32	0.28
Net Weight	kg	6.5	