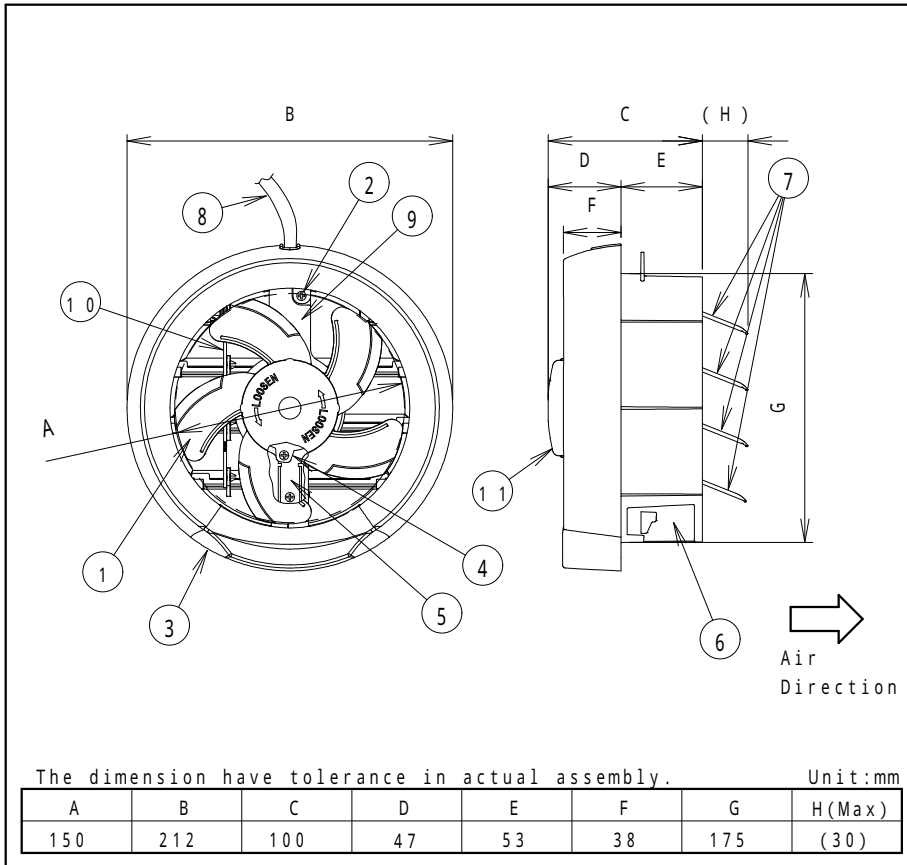


### Main Dimensions



### Main Part List

No.	Part Name	Material
1	Blade	Plastic
2	Screw	Iron Steel
3	Orifice	Plastic
4	Motor	—
5	Motor Plate	Iron Steel
6	Frame	Plastic
7	Shutter	Plastic
8	Power Cord	—
9	Lead Wire Cover	Plastic
10	Lever	Plastic
11	Spinner	Plastic

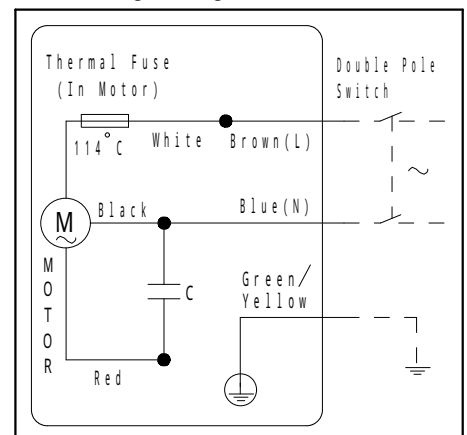
### Specification

Rated Voltage	240V~ 50Hz
Air Volume (m <sup>3</sup> /h±10%)	228
Power (W±12%)	16
Max Static Pressure (Pa)	41
Noise (dB(A) <sub>1m</sub> )	44
Net Weight (kg)	0.9
Motor Type	Capacitor Motor (Class E)
Insulation Resistance	More than 10M
Electric Strength	Can withstand 1500V 1min
Ambient Temperature	-10°C~40°C
IP Code	IPX4(Outside)

### Notes:

- 1.The value of power consumption,air volume and noise are specified at the static pressure of 0 Pa.
- 2.The value of air volume is the mean value which is measured by our company.
- 3.The value of noise level is measured at 1m apart from the left,the right and the front of product,then get the average of three values.
- 4.The value of noise level is A weight average sound pressure level,the mean value is measured by our company.

### Wiring Diagram



Product			Model	
Window Mount Ventilating Fan			15WAAMN	
Make Date	2014.02.25	Scale	Drawing No.	15WAAMNT-01
Modification Date		Free	Modification No.	
KDK Company, Division of PES				