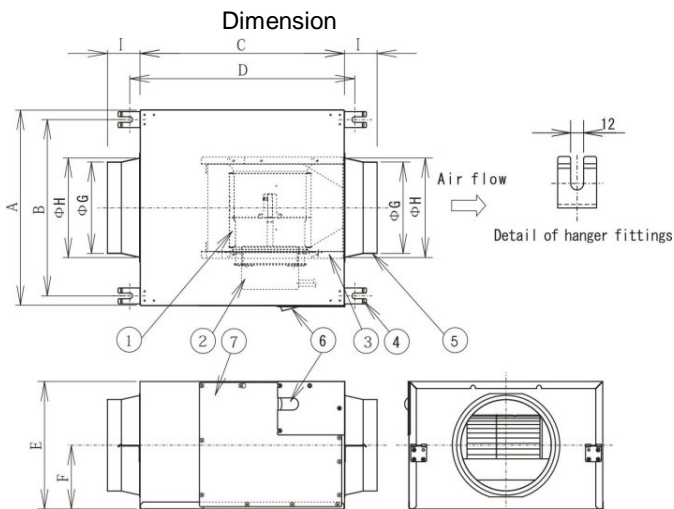


# Specification Data Sheet

Issue date: 2009.05.22  
 Revise date: 2009.06.19

## Cabinet Fan Model No. 18NFB



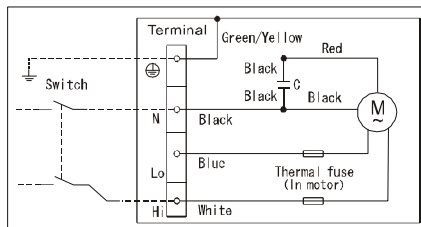
### Parts list

No.	Parts name	Q'ty	Material
1	Impeller	1	METAL
2	Motor	1	-
3	Fan casing	1	METAL
4	Hanger fitting	4	METAL
5	Adapter	2	METAL
6	Terminal cover	1	METAL
7	Inspection panel	1	METAL

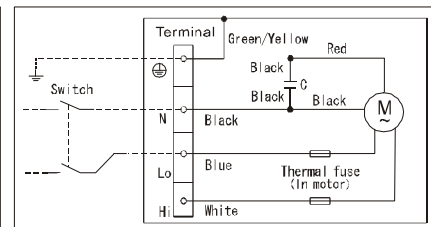
Unit: mm

A	B	C	D	E	F	G	H	I	CONNECTER DUCT DIMENSION
376	336	397	441	254	127	195	211	70	Φ200

### Wiring Diagram

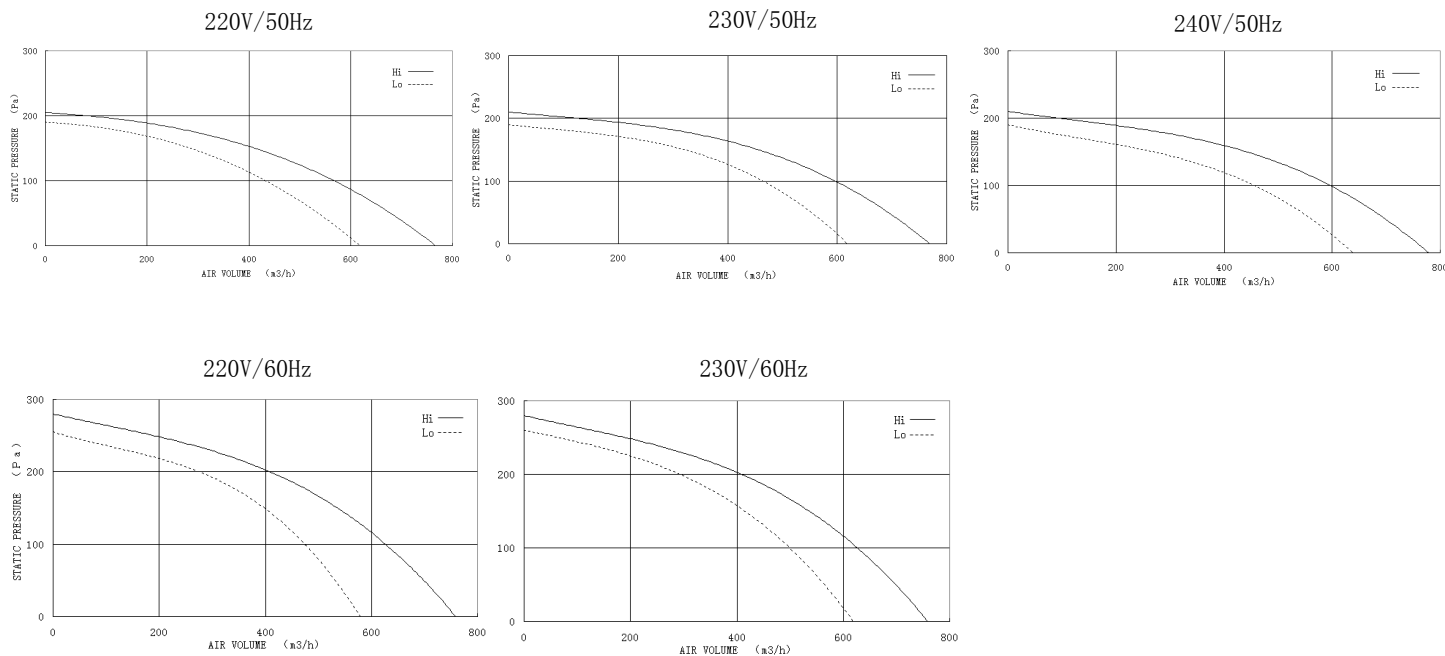


Hi Speed



Lo Speed

### Air Volume - Static Pressure Curve



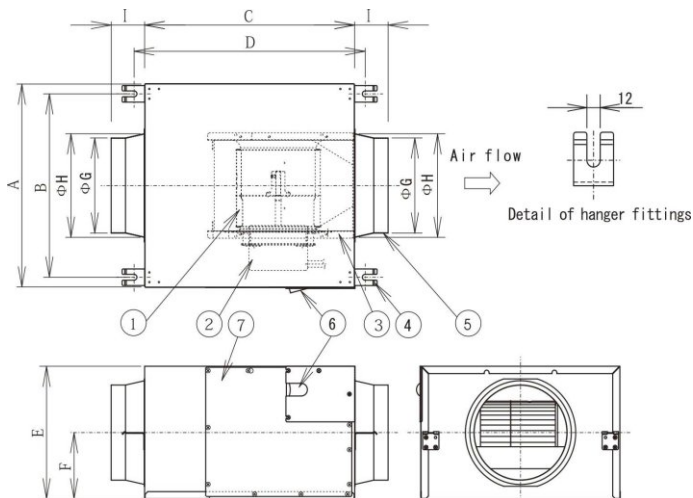
### Specifications

Power Rating	V/Hz	220/50		230/50		240/50		220/60		230/60	
		Hi	Lo	Hi	Lo	Hi	Lo	Hi	Lo	Hi	Lo
Air Volume	m <sup>3</sup> /h(±10%)	770	620	770	620	780	640	760	580	760	620
Static pressure	Pa	205	190	210	190	210	190	280	255	280	260
Noise Level	dB(A) +3dB, -7dB	31	29	32	29	33	29	32	28	32	29
Consumption	W(±20%)	91	80	96	82	104	86	119	87	129	96
Current	A(±20%)	0.44	0.37	0.45	0.37	0.46	0.37	0.54	0.42	0.56	0.44
Net Weight	kg	10									

### Specification Data Sheet

#### Cabinet Fan Model No. 18NFB 12

##### Dimension



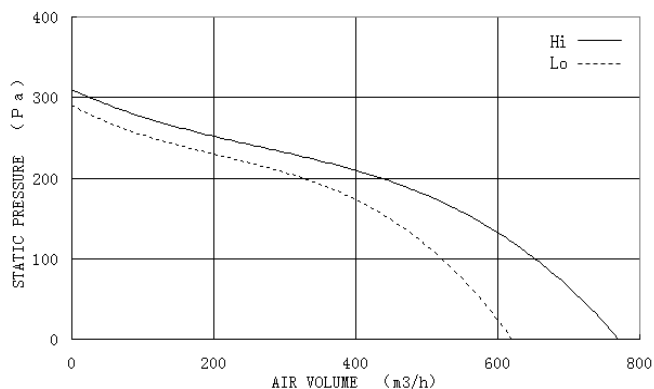
Unit: mm

A	B	C	D	E	F	G	H	I	CONNECTER DUCT DIMENSION
376	336	397	441	254	127	195	211	70	Φ 200

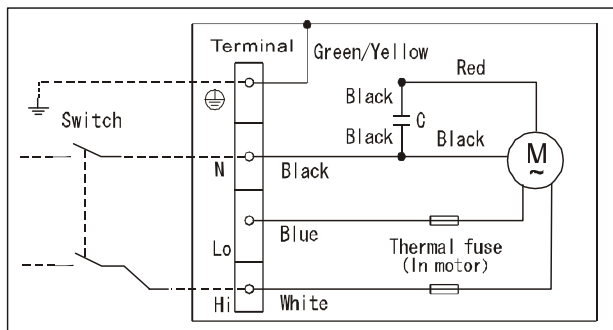
##### Parts list

No.	Parts name	Q'ty	Material
1	Impeller	1	METAL
2	Motor	1	-
3	Fan casing	1	METAL
4	Hanger fitting	4	METAL
5	Adapter	2	METAL
6	Terminal cover	1	METAL
7	Inspection panel	1	METAL

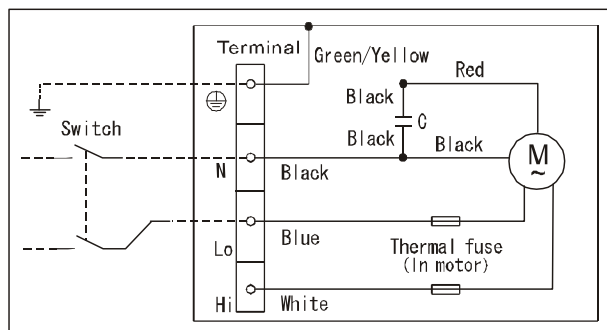
##### Air Volume - Static Pressure Curve



##### Wiring Diagram



Hi Speed



Lo Speed

##### Specifications

Power Rating	V/Hz	127/60	
		Hi	Lo
Air Volume	m³/h(±10%)	770	620
Static pressure	Pa	310	290
Noise Level	dB(A) +3dB,-7dB	32	29
Consumption	W(±20%)	123	110
Current	A(±20%)	0.99	0.91
Net Weight	kg	10	