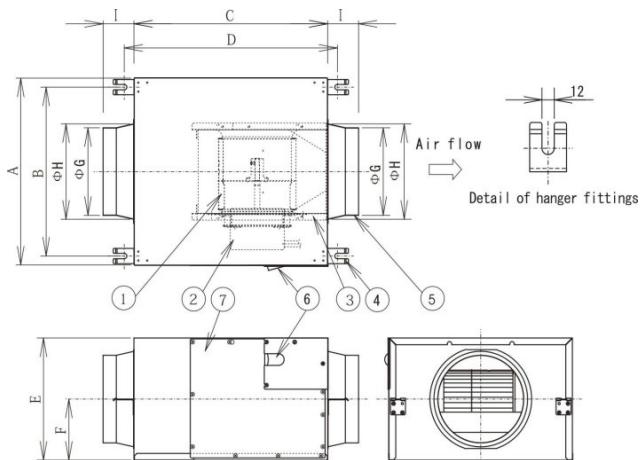


# Specification Data Sheet

Issue date: 2009.05.22  
Revise date: 2009.06.19

## Cabinet Fan Model No. 20NSB

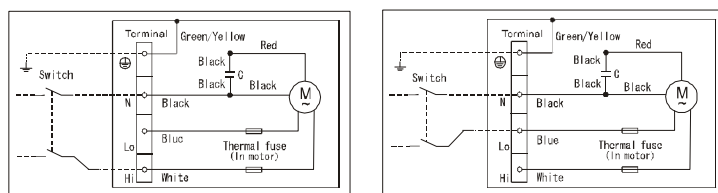
### Dimension



### Parts list

No.	Parts name	Q'ty	Material
1	Impeller	1	METAL
2	Motor	1	-
3	Fan casing	1	METAL
4	Hanger fitting	4	METAL
5	Adapter	2	METAL
6	Terminal cover	1	METAL
7	Inspection panel	1	METAL

### Wiring Diagram



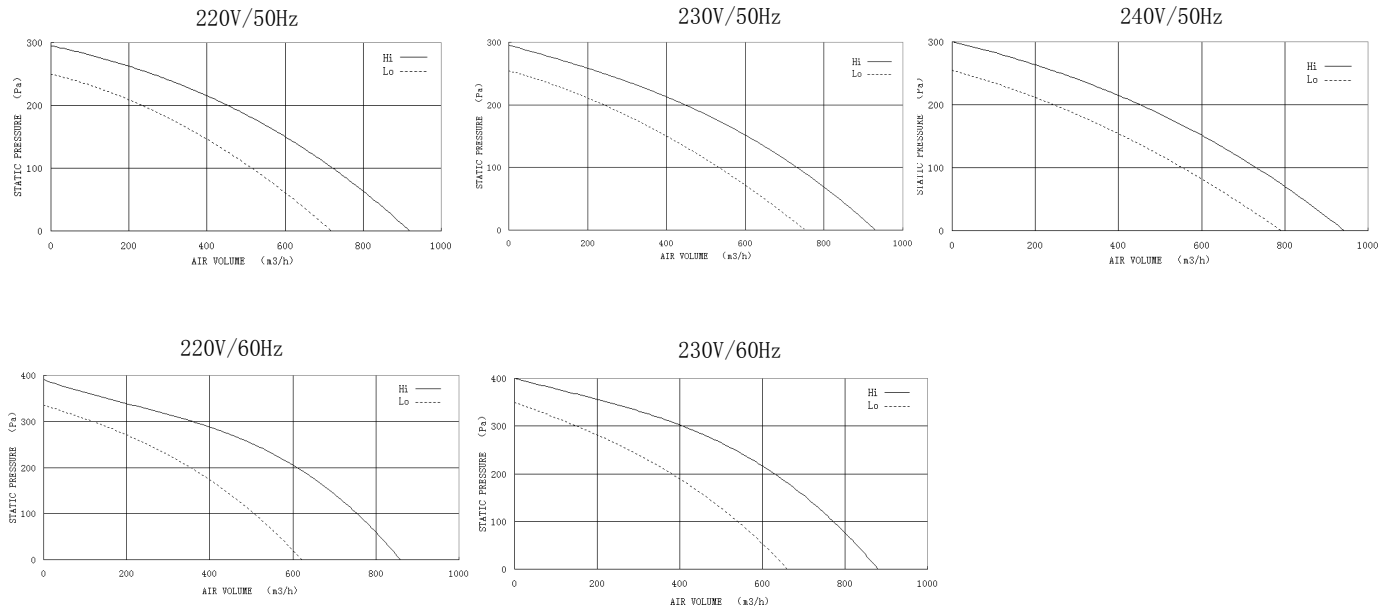
Hi Speed

Lo Speed

Unit: mm

A	B	C	D	E	F	G	H	I	CONNECTER DUCT DIMENSION
416	376	441	485	272	136	195	211	70	Φ 200

### Air Volume - Static Pressure Curve



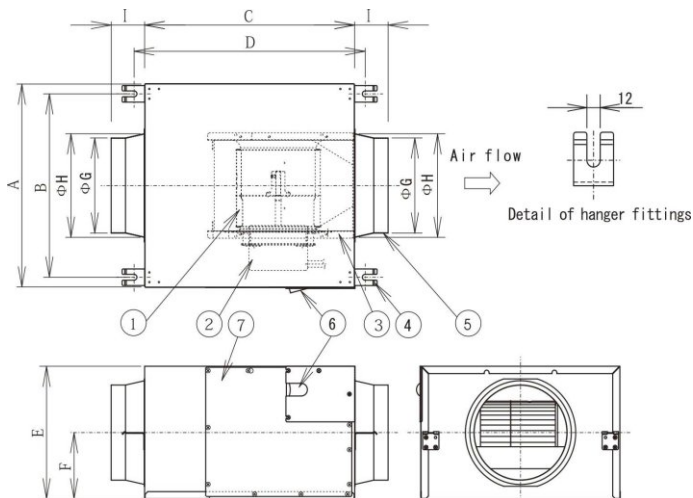
### Specifications

Power Rating	V/Hz	220/50		230/50		240/50		220/60		230/60	
		Hi	Lo	Hi	Lo	Hi	Lo	Hi	Lo	Hi	Lo
Air Volume	m³/h(±10%)	920	720	930	750	940	790	860	620	880	660
Static presure	Pa	295	250	295	255	300	255	390	335	400	350
Noise Level	dB(A) +3dB, -7dB	32	29	33	30	34	31	32	26	33	27
Consumption	W(±20%)	120	113	125	120	135	125	159	128	169	137
Current	A(±20%)	0.57	0.53	0.57	0.53	0.57	0.53	0.72	0.59	0.74	0.61
Net Weight	kg	14									

### Specification Data Sheet

#### Cabinet Fan Model No. 20NSB 12

##### Dimension



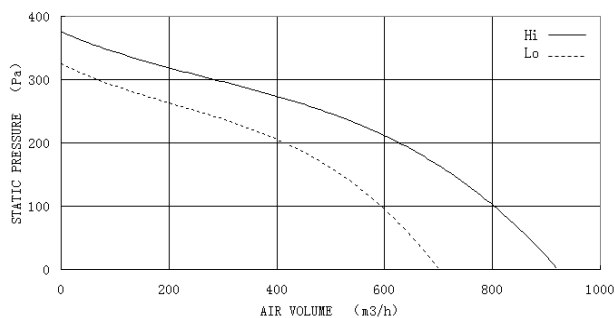
Unit: mm

A	B	C	D	E	F	G	H	I	CONNECTER DUCT DIMENSION
416	376	441	485	272	136	195	211	70	Φ 200

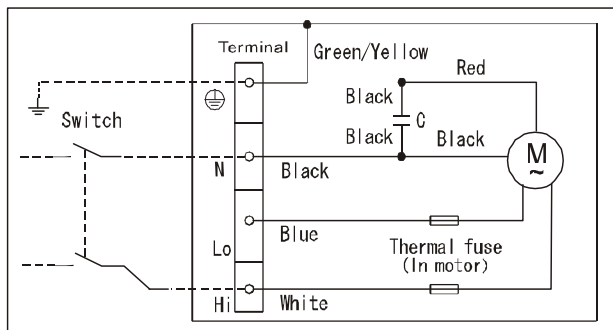
##### Parts list

No.	Parts name	Q'ty	MATERIAL
1	Impeller	1	METAL
2	Motor	1	-
3	Fan casing	1	METAL
4	Hanger fitting	4	METAL
5	Adapter	2	METAL
6	Terminal cover	1	METAL
7	Inspection panel	1	METAL

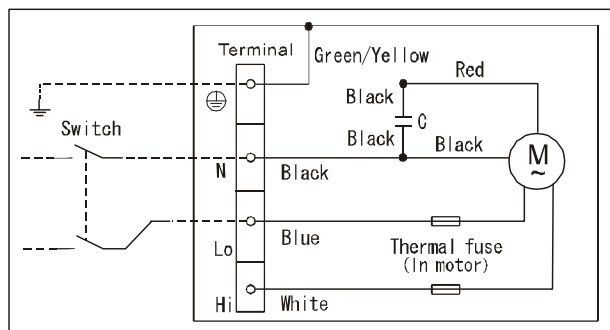
##### Air Volume - Static Pressure Curve



##### Wiring Diagram



Hi Speed



Lo Speed

##### Specifications

Power Rating	V/Hz	127/60	
		Hi	Lo
Air Volume	m³/h(±10%)	920	700
Static pressure	Pa	375	325
Noise Level	dB(A) +3dB,-7dB	35	31
Consumption	W(±20%)	170	135
Current	A(±20%)	1.33	1.08
Net Weight	kg	14	