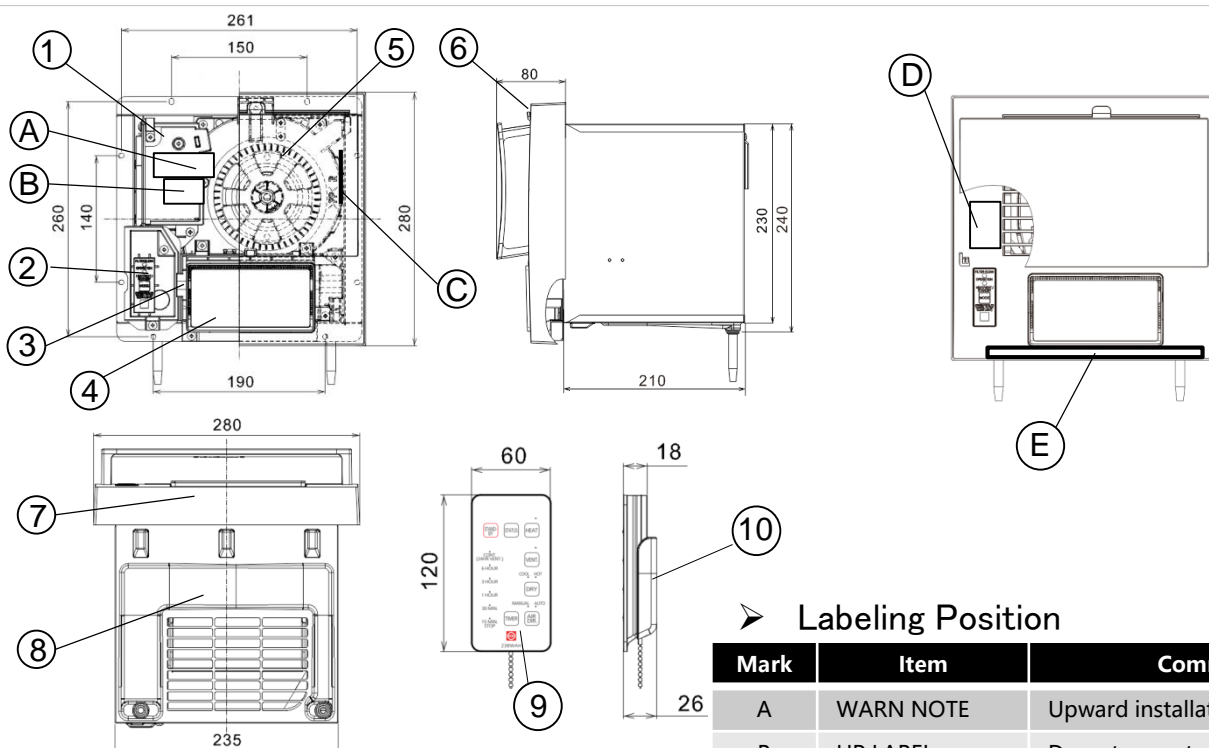


External Dimensions

单位：mm



Labeling Position

Mark	Item	Comment
A	WARN NOTE	Upward installation only.
B	UP LABEL	Do not operate without louver.
C	CIRCUIT LABEL	--
D	NAME PLATE	--
E	CAUTION LABEL	Do not touch high temp. area.

Mounting Dimensions :

HOLE DIMENSION:242×240

Component Parts List

Parts List

Mark	Part Name	Material	Quantity	Comment
1	CORD COVER	PP	1	
2	SIGNAL RECEIVER	ABS	1	
3	HEATER ASSY	PBT	1	
4	BAFFLE PLATE	PBT	1	
5	FAN	PP	1	
6	FILTER ASSY	PP	1	
7	LOUVER ASSY	PP	1	
8	MAIN BODY	-	1	
9	REMOTE CONTROLLER	ABS	1	
10	CONTROLLER HOLDER	PS	1	

Accessory List

Item	Quantity
DRY BATTERY	2
OPERATING INST.	1
WARRANTY CARD	1
TRUSS SCREW	1
INSTALL SCREW	4

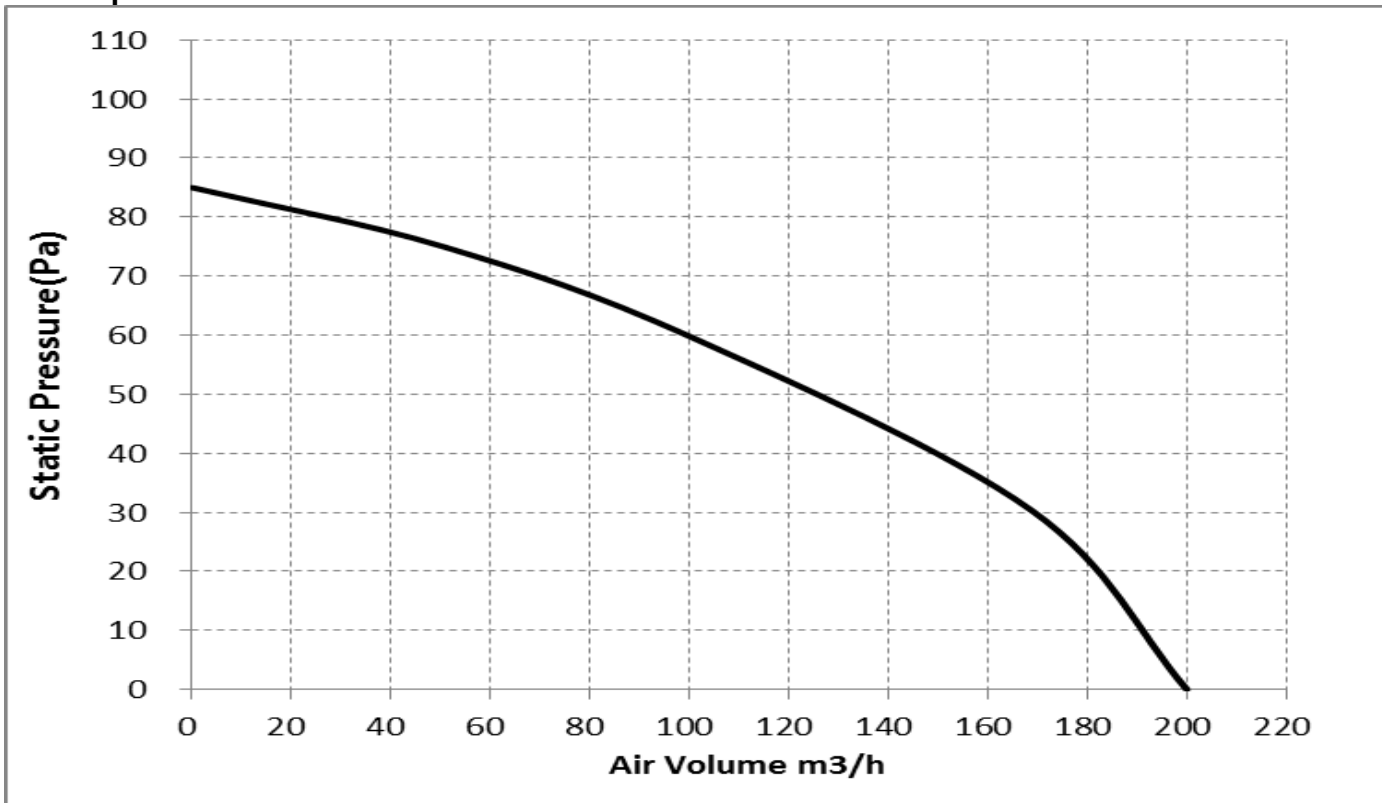
Authentication Information

➤ 认证种类 (测试机构等) IEC(JQA)

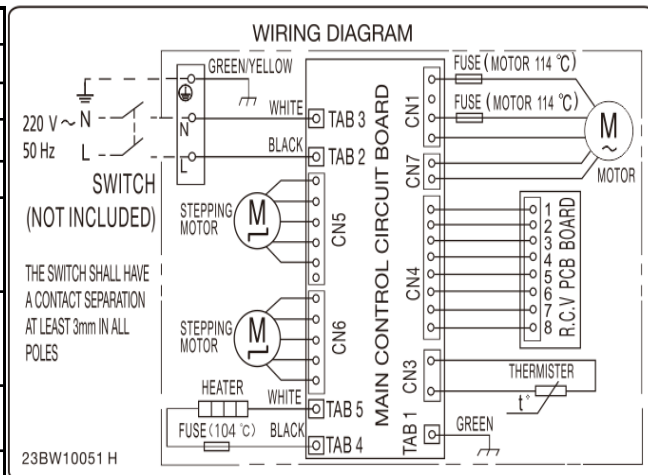
➤ 其他

Product		Page	
Thermo Ventilator		2/2	
Model		23BWAH	
Make Date	2016.9.5	Scale	free
Modification Date		Drawing No.	BD16006
		Modification No.	
KDK Company, Division of PES			

■ Specification Data



Model	23BWAH		
Rated Voltage(V)	220		
Rated Frequency(Hz)	50		
Power Input(w)	Heat	Ventilation	
	1160	28	
Ventilation Air Volume (m ³ /h)±10%	200		
Circulation Air Volume (m ³ /h)±10%	130		
Max Static Pressure(Pa)	≥85		
Noise(dB) +3dB以下	Heat	Ventilation	Dry
	48	46	48
Weight (Kg)	4.5		
Insulation Class	Class E		
Operating Condition	-10°C~40°C		
Insulation Resistance	>10 MΩ		
Electric Strength	AC1500/1 minute		
Electric Shock Protection	Class I (With Earthing)		
Water Proof	IPX4		
Motor Type	Capacitor start and run/ 4 pole		



- Power consumption and rated current are obtained when the baffle plate is at maximum opening angle.
- Air volume, electric specification and noise value are measured when static pressure is 0 Pa.
- Noise value is the weighted sound pressure grade A, which is the central value measured by this company, its tolerance range is from +3 to -7. The method to measure is as follows: in an anechoic chamber, measure noise value first 1m away from the left, right and beneath of the sample, then get the averaged value.
- Air volume is the central value measured by this company with ±10% of tolerance range.
- This product and remote control comply with the IPX4 requirement against the water shower test.
- Insulation class E.

Product		Page	2/2
Thermo Ventilator		Model	
		23BWAH	
Make Date	2016.9.5	Scale	Drawing No. BD16006
Modification Date		free	Modification No.
KDK Company, Division of PES			