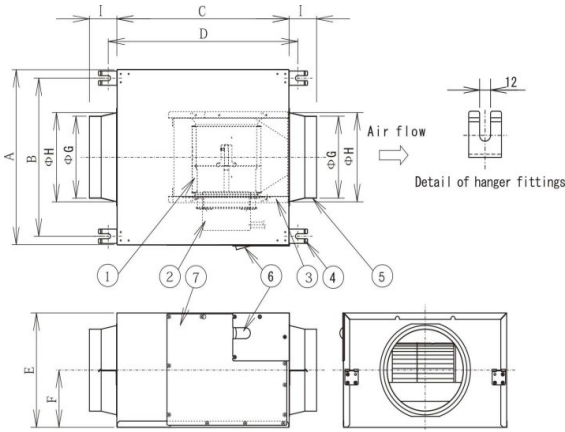


Specification Data Sheet

Cabinet Fan Model No. 23NLB

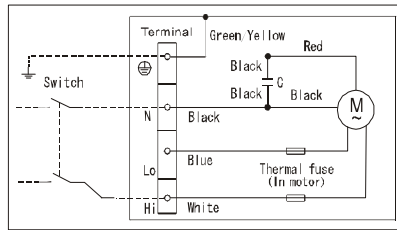
Dimension



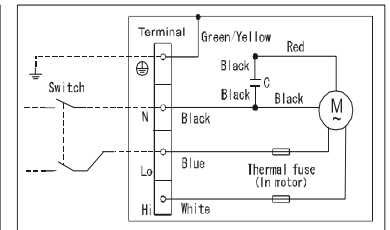
Parts list

No.	Parts name	Q'ty	Material
1	Impeller	1	METAL
2	Motor	1	-
3	Fan casing	1	METAL
4	Hanger fitting	4	METAL
5	Adapter	2	METAL
6	Terminal cover	1	METAL
7	Inspection panel	1	METAL

Wiring Diagram



Hi Speed

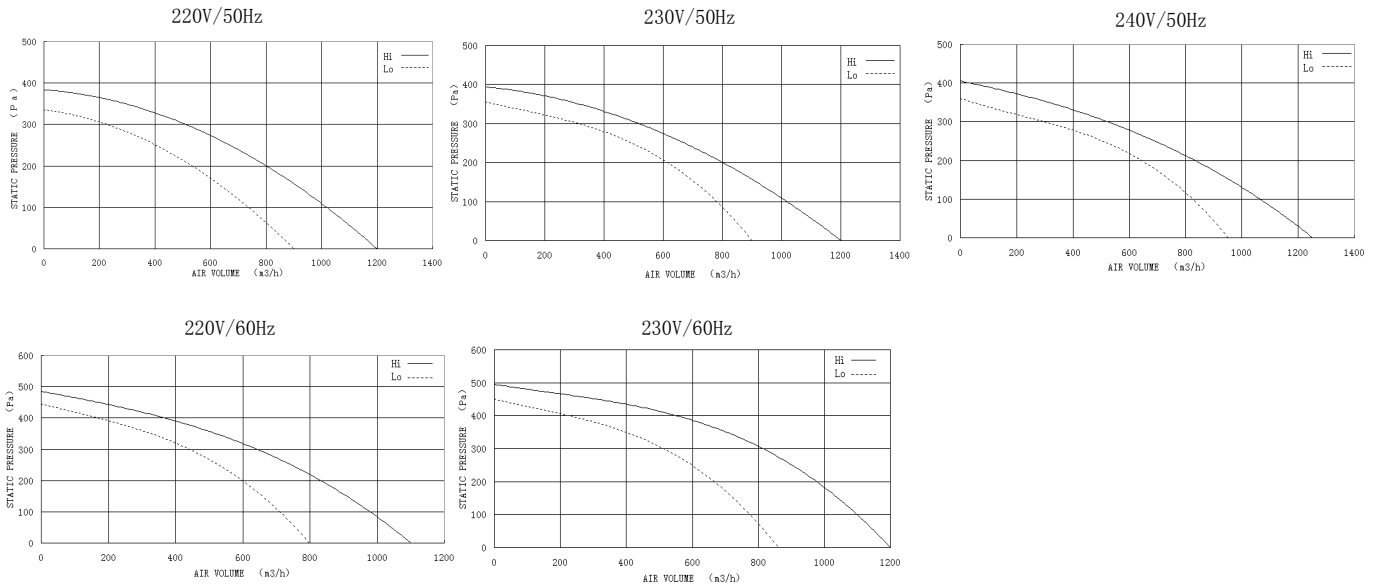


Lo Speed

Unit: mm

A	B	C	D	E	F	G	H	I	CONNECTER DUCT DIMENSION
468	424	469	513	298	149	195	211	70	Φ 200

Air Volume - Static Pressure Curve



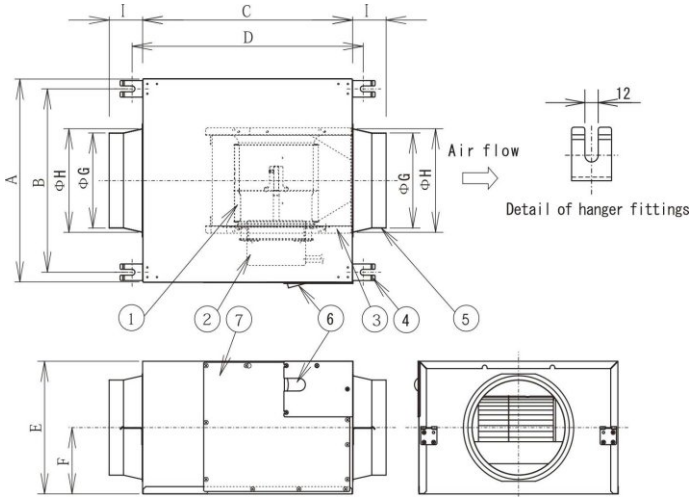
Specifications

Power Rating	V/Hz	220/50		230/50		240/50		220/60		230/60	
		Hi	Lo	Hi	Lo	Hi	Lo	Hi	Lo	Hi	Lo
Air Volume	m³/h(±10%)	1200	900	1200	900	1250	950	1100	800	1200	860
Static presure	Pa	385	335	395	355	405	360	485	445	495	450
Noise Level	dB(A) +3dB,-7dB	40	34	40	35	41	37	40	32	41	33
Consumption	W(±15%)	230	170	250	180	260	190	310	190	339	216
Current	A(±20%)	1.1	0.82	1.1	0.82	1.1	0.82	1.46	0.93	1.49	0.95
Net Weight	kg	18									

Specification Data Sheet

Cabinet Fan Model No. 23NLB 12

Dimension



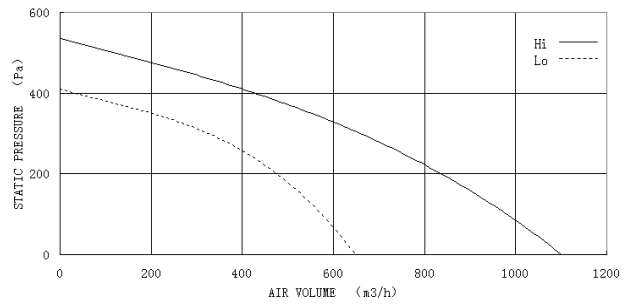
Unit: mm

A	B	C	D	E	F	G	H	I	CONNECTER DUCT DIMENSION
468	424	469	513	298	149	195	211	70	Φ 200

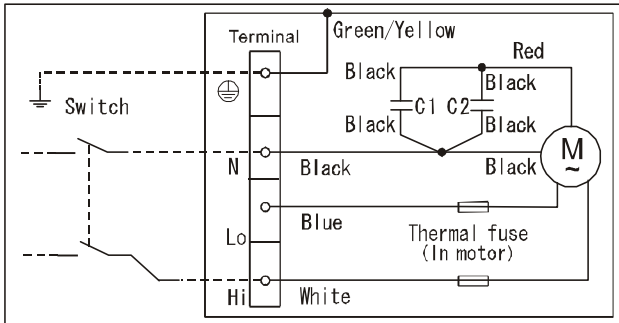
Parts list

No.	Parts name	Q'ty	Material
1	Impeller	1	METAL
2	Motor	1	-
3	Fan casing	1	METAL
4	Hanger fitting	4	METAL
5	Adapter	2	METAL
6	Terminal cover	1	METAL
7	Inspection panel	1	METAL

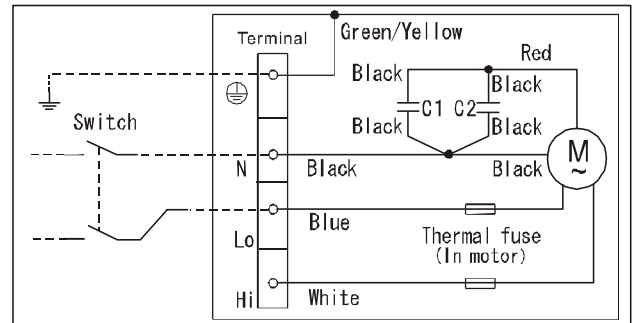
Air Volume - Static Pressure Curve



Wiring Diagram



Hi Speed



Lo Speed

Specifications

Power Rating	V/Hz	127/60	
		Hi	Lo
Air Volume	m³/h(±10%)	1100	650
Static pressure	Pa	535	410
Noise Level	dB(A) +3dB,-7dB	40	30
Consumption	W(±20%)	287	155
Current	A(±15%)	2.35	1.23
Net Weight	kg	18	