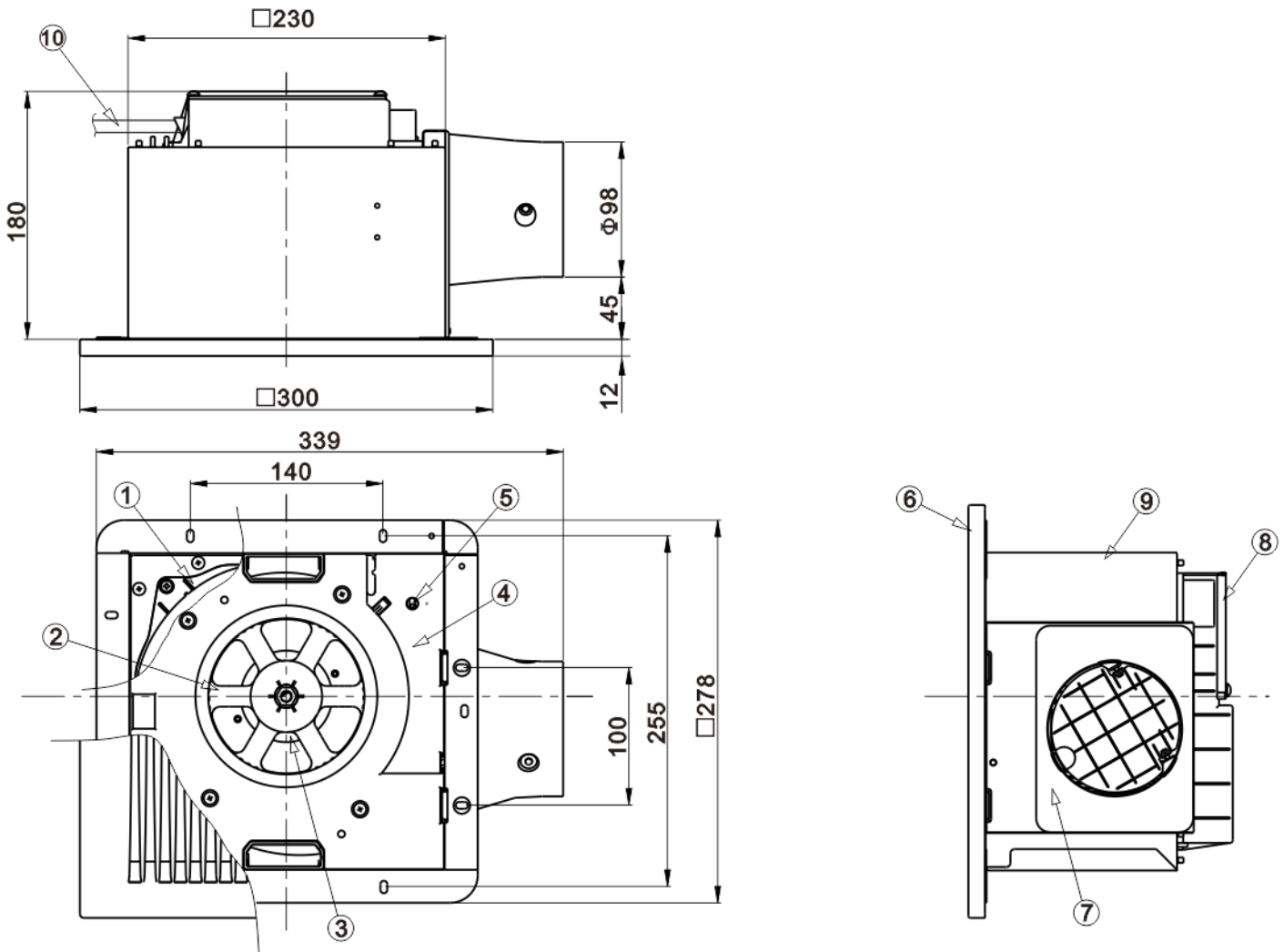




■ DIMENSIONS (Unit: mm)



■ MAIN PARTS LIST

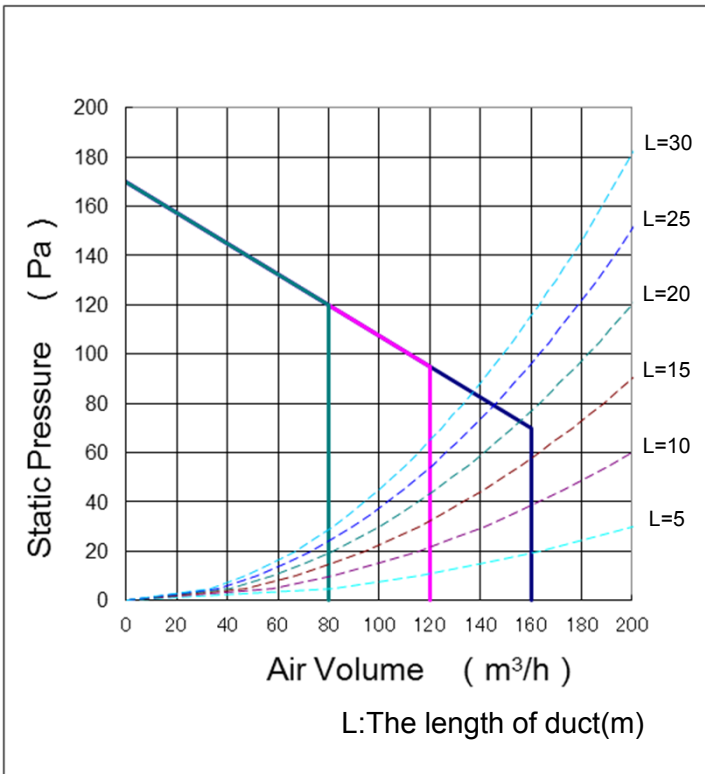
No.	Part Name	Material
1	Casing	PP
2	Blade	PP
3	DC Motor	-
4	Orifice	PP
5	Switch	POM
6	Louver	ABS
7	Adapter Assy.	Galvanized Steel
8	Main PCB Box	PP
9	Frame Assy.	Galvanized Steel/Painting
10	Power Cord	0.75mm ³ × 4

Page		1/2	
Product			Model
CMVF			24JAB
Make Date	2013.06.03	Scale	Drawing No. CMV13014
Modification Date		FREE	Modification No.
KDK Company, Division of PES			

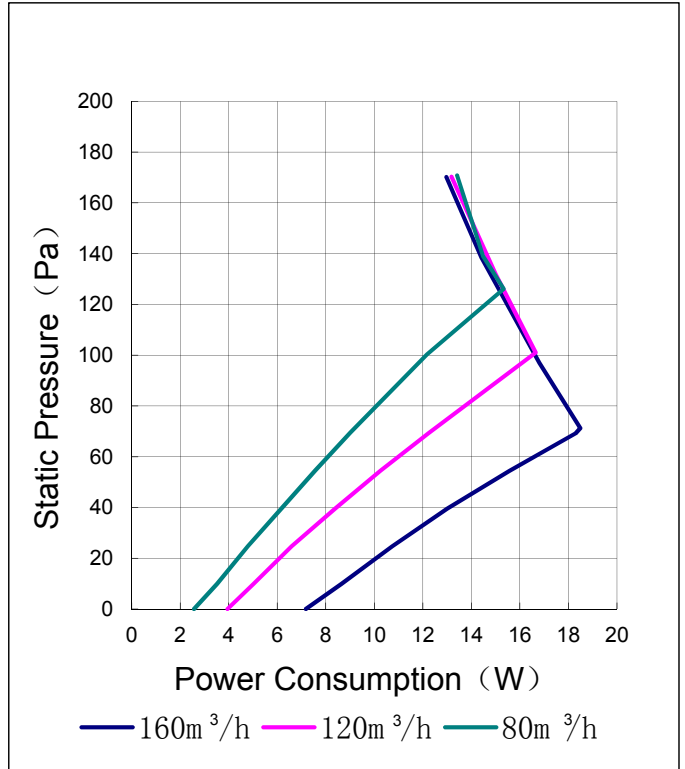


Specification Data Sheet

P-Q CURVE



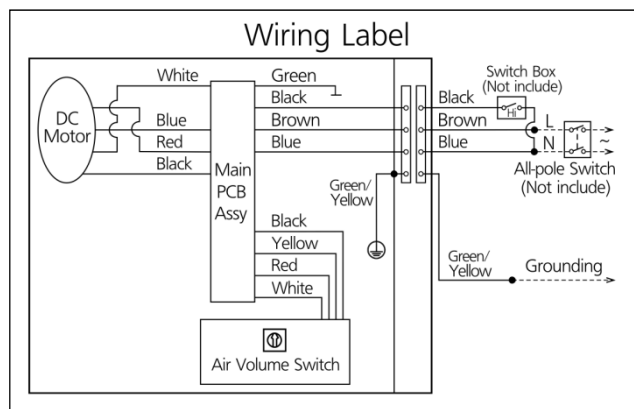
STATIC PRESSURE-POWER CURVE



SPECIFICATIONS

Power Rating	1 phase 220V-240V~50Hz / 220V-230V~60Hz		
Air Volume (m ³ /h ±10%)	80	120	160
Power Consumption (W±20%)	3.6	5.2	8
Current (A ±20%)	0.041/ 0.043	0.055/ 0.057	0.085/ 0.088
Noise [dB (A) ₋₇ ⁺³]	20	26	31
Max Static Pressure (Pa)	170		
Net Weight (kg)	2.9		
Motor Type	Brushless DC Motor, class E, 6 poles		
Blade Type	Centrifugal fan		
Ambient Temperature	-10℃~40℃		
Duct Type	Φ100mm		
Delay Timer	15 minute		

WIRING DIAGRAM



1. The values of air volume current noise and power consumption are specified at the static pressure of 0 Pa.
2. The value of noise level is A weight average sound pressure level, the mean value is measured by our company.
3. The value of noise level is measured at 1m apart from the left, the right and under the product, then get the average of three values.
4. The value of air volume is the mean value which is measured by our company.
5. The product is complied with IEC 60335-1 & IEC 60335-2-80.

Page		2/2	
Product		Model	
CMVF		24JAB	
Make Date	2013.06.03	Scale	Drawing No. CMV13014
Modification Date		FREE	Modification No.
KDK Company, Division of PES			