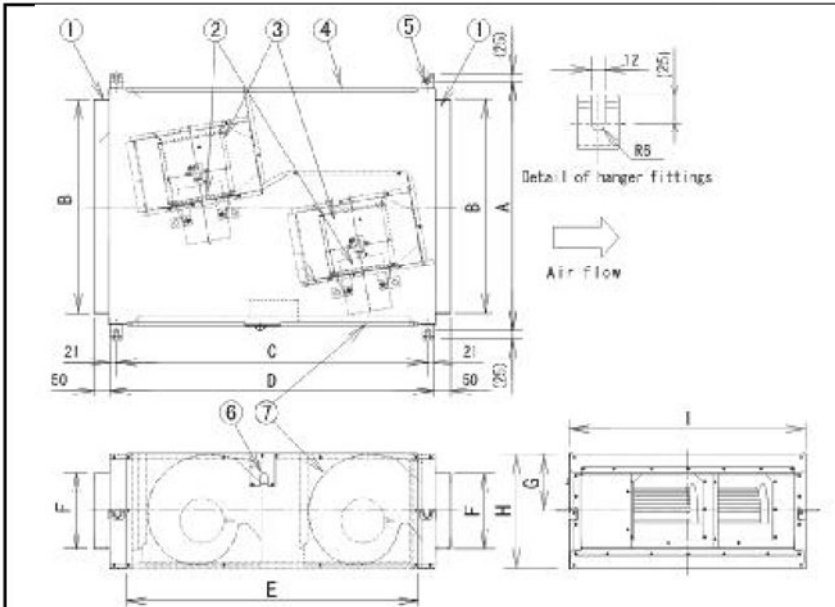




Specification Data Sheet

Dimension



Remark: the views are 3rd angle

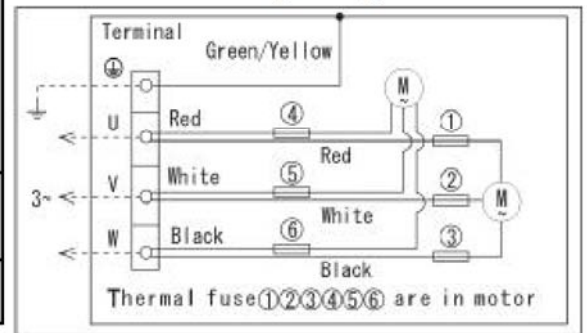
Unit: mm

A	B	C	D	E	F	G	H	I	Connector Duct Dimension
809	696	1010	1052	942	246	185	370	766	250×700

Parts List

No.	Part name	Q'ty	Material
1	Adapter	2	Metal
2	Motor	2	—
3	Impeller	2	Metal
4	Frame	1	Metal
5	Hanger fitting	4	Metal
6	Terminal cover	1	Metal
7	Inspection panel	1	Metal

Wiring Diagram



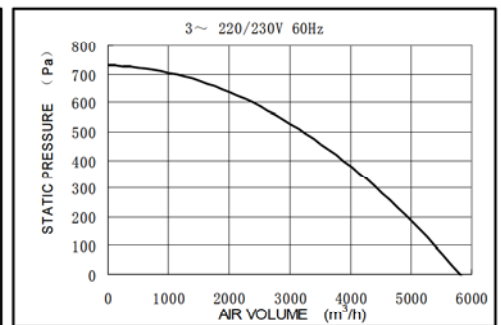
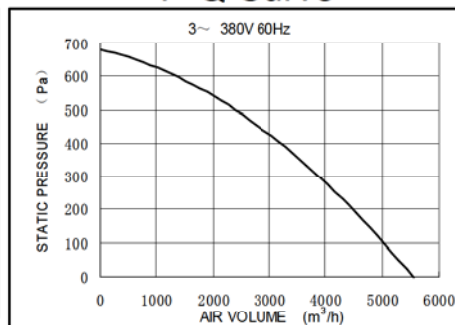
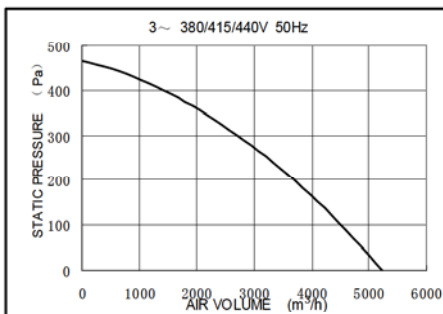
Specification

Power Rating	V/Hz	3~ 380/50	3~ 415/50	3~ 440/50	3~ 380/60	3~ 220/60	3~ 230/60
Air Volume	m ³ /h(±10%)	5200			5500	5800	
Static pressure	Pa (≥90%)	470			680	730	
Noise Level	dB(A) +3dB,-7dB	45			46	48	
Consumption	W(±15%)	1180	1260		1750	1980	
Current	A (±15%)	2.3			3.2	6.3	
Net Weight	kg	60					

Notes:

- ①The values of rated input, air volume and noise are specified at the static pressure of 0 Pa.
- ②The values of noise level is A weighted average sound pressure level, the mean value are measured by our company.
- ③The values of noise level are measured at the 1.5m apart from the side of the fan body when ducts are connected on both inlet and outlet side. It's on the assumption that the noise of fan body propagates to the room inside.

P-Q Curve

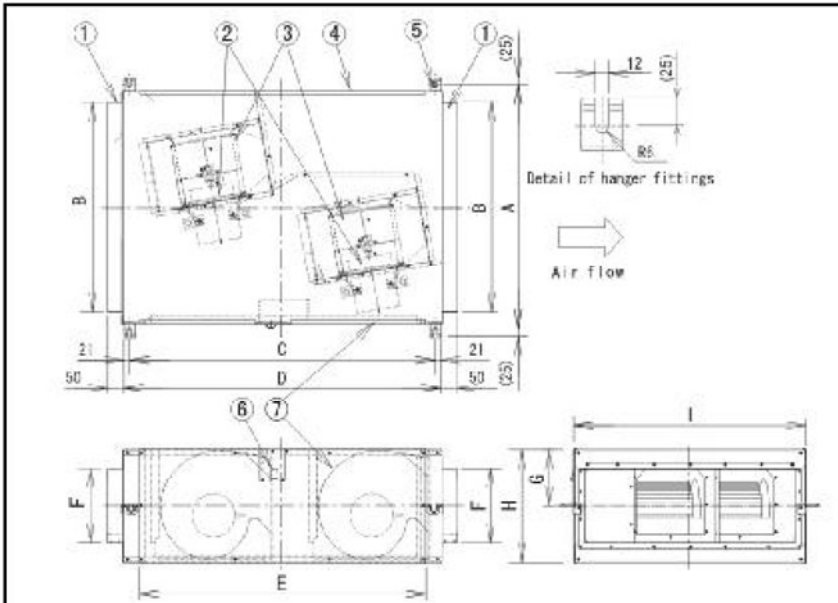


Product		Model	
CAB/F		25SMC	
Make Date	2011.05.10	Scale	Drawing No. CAB11015
Modification Date		Free	Modification No.
KDK Company, Division of PES			



Specification Data Sheet

Dimension



Remark: the views are 3rd angle

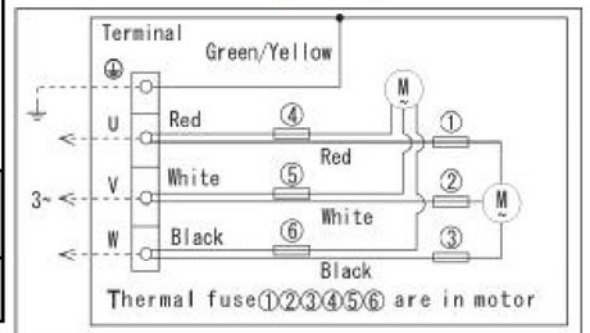
Unit: mm

A	B	C	D	E	F	G	H	I	Connector Duct Dimension
809	696	1010	1052	942	246	185	370	766	250×700

Parts List

No.	Part name	Q'ty	Material
1	Adapter	2	Metal
2	Motor	2	—
3	Impeller	2	Metal
4	Frame	1	Metal
5	Hanger fitting	4	Metal
6	Terminal cover	1	Metal
7	Inspection panel	1	Metal

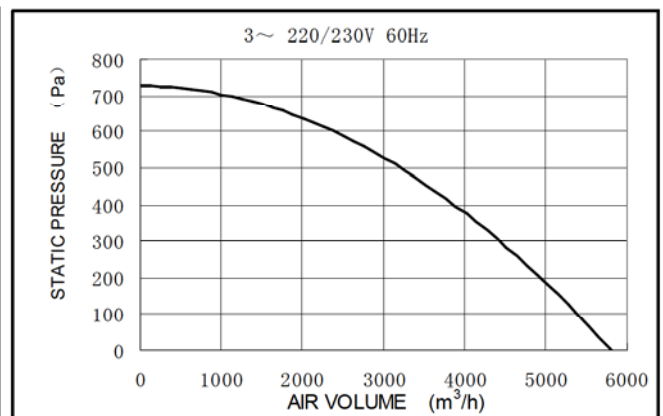
Wiring Diagram



Specification

Power Rating	V/Hz	3~ 220/60	3~ 230/60
Air Volume	m ³ /h(± 10%)	5800	
Static pressure	Pa (≥90%)	730	
Noise Level	dB(A) +3dB,-7dB	48	
Consumption	W(± 15%)	1980	
Current	A (± 15%)	6.3	
Net Weight	kg	60	

P-Q Curve



Notes:

- ①The values of rated input, air volume and noise are specified at the static pressure of 0 Pa.
- ②The values of noise level is A weighted average sound pressure level, the mean value are measured by our company.
- ③The values of noise level are measured at the 1.5m apart from the side of the fan body when ducts are connected on both inlet and outlet side. It's on the assumption that the noise of fan body propagates to the room inside.

Product		Model	
CAB/F		25SMC 22	
Make Date	2011.05.10	Scale	Drawing No. CAB11016
Modification Date		Free	Modification No.
KDK Company, Division of PES			