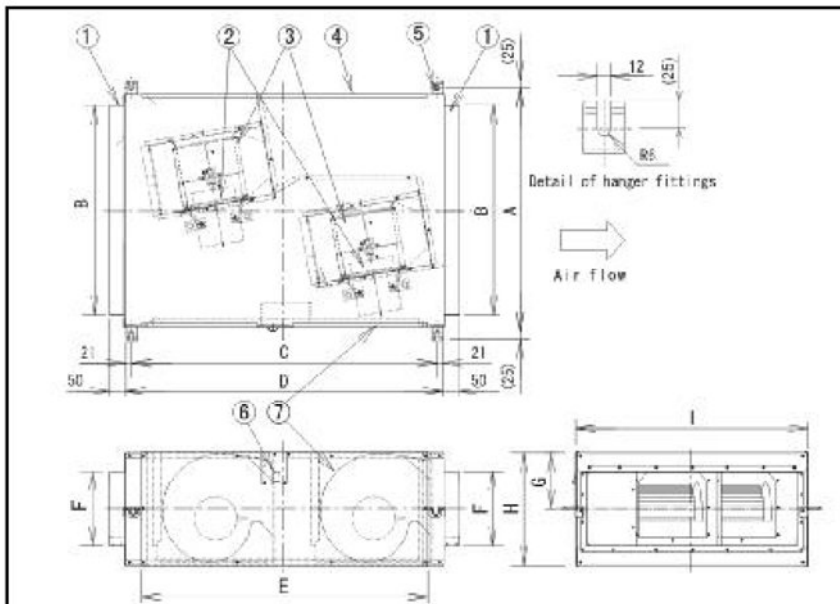




# Specification Data Sheet

## Dimension



Remark: the views are 3rd angle

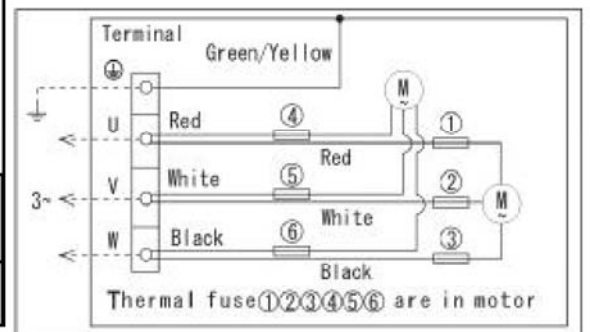
Unit: mm

A	B	C	D	E	F	G	H	I	Connector Duct Dimension
809	496	1010	1052	942	246	185	370	766	250×500

## Parts List

No.	Part name	Q'ty	Material
1	Adapter	2	Metal
2	Motor	2	—
3	Impeller	2	Metal
4	Frame	1	Metal
5	Hanger fitting	4	Metal
6	Terminal cover	1	Metal
7	Inspection panel	1	Metal

## Wiring Diagram



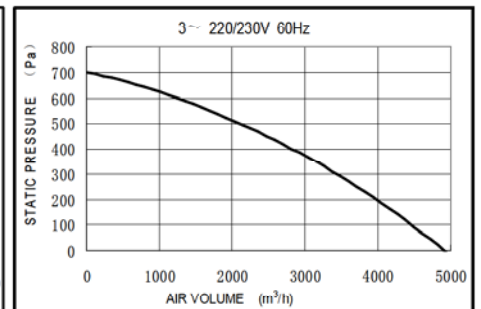
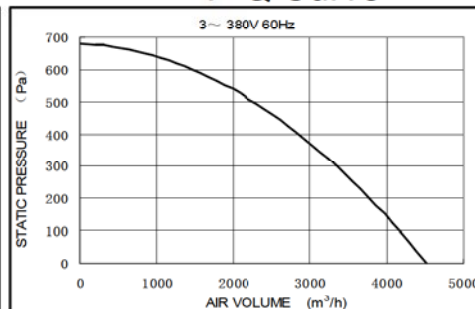
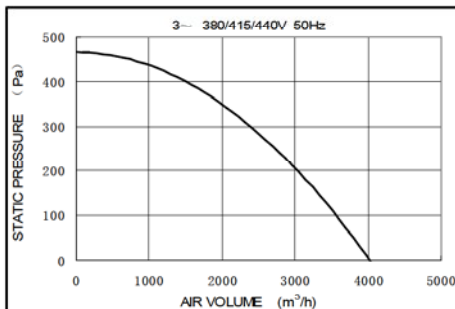
## Specification

Power Rating V/Hz	3~ 380/50	3~ 415/50	3~ 440/50	3~ 380/60	3~ 220/60	3~ 230/60
Air Volume m <sup>3</sup> /h(±10%)	4000			4500	4900	
Static pressure Pa (≥90%)	470			680	700	
Noise Level dB(A) +3dB,-7dB	43			45	47	
Consumption W(±15%)	940	1000		1450	1600	
Current A (±15%)	1.9			2.7	5.2	
Net Weight kg				60		

### Notes:

- The values of rated input, air volume and noise are specified at the static pressure of 0 Pa.
- The values of noise level is A weighted average sound pressure level, the mean value are measured by our company.
- The values of noise level are measured at the 1.5m apart from the side of the fan body when ducts are connected on both inlet and outlet side. It's on the assumption that the noise of fan body propagates to the room inside.

## P-Q Curve

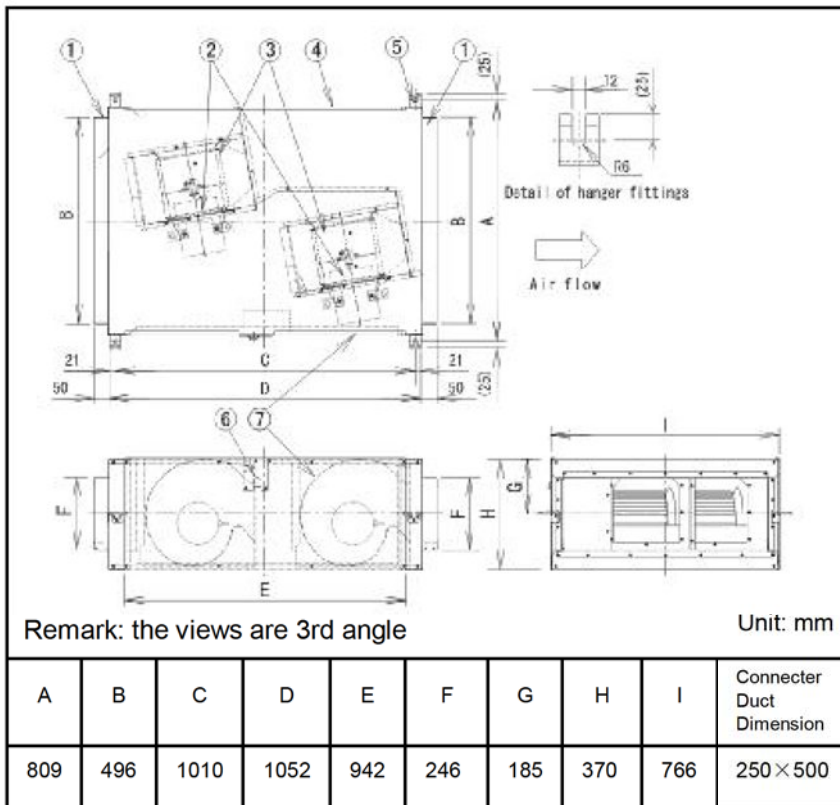


Product		Model	
CAB/F		25SWC	
Make Date	2011.05.10	Scale	Drawing No. CAB11010
Modification Date		Free	Modification No.
KDK Company, Division of PES			



# Specification Data Sheet

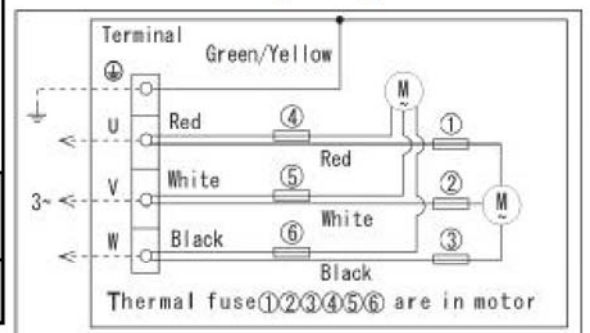
## Dimension



## Parts List

No.	Part name	Q'ty	Material
1	Adapter	2	Metal
2	Motor	2	—
3	Impeller	2	Metal
4	Frame	1	Metal
5	Hanger fitting	4	Metal
6	Terminal cover	1	Metal
7	Inspection panel	1	Metal

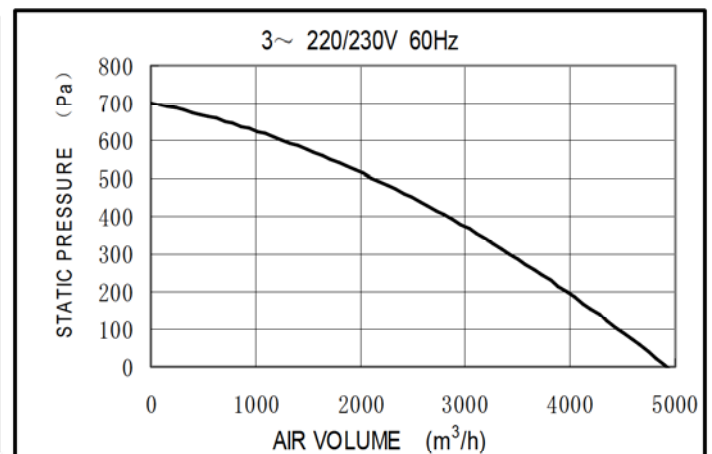
## Wiring Diagram



## Specification

Power Rating	V/Hz	3~ 220/60	3~ 230/60
Air Volume	m <sup>3</sup> /h (± 10%)	4900	
Static pressure	Pa (≥ 90%)	700	
Noise Level	dB(A) +3dB, -7dB	47	
Consumption	W (± 15%)	1600	
Current	A (± 15%)	5.2	
Net Weight	kg	60	

## P-Q Curve



### Notes:

- ① The values of rated input, air volume and noise are specified at the static pressure of 0 Pa.
- ② The values of noise level is A weighted average sound pressure level, the mean value are measured by our company.
- ③ The values of noise level are measured at the 1.5m apart from the side of the fan body when ducts are connected on both inlet and outlet side. It's on the assumption that the noise of fan body propagates to the room inside.

Product		Model	
CAB/F		25SWC 22	
Make Date	2011.05.10	Scale	Drawing No. CAB11011
Modification Date		Free	Modification No.
KDK Company, Division of PES			