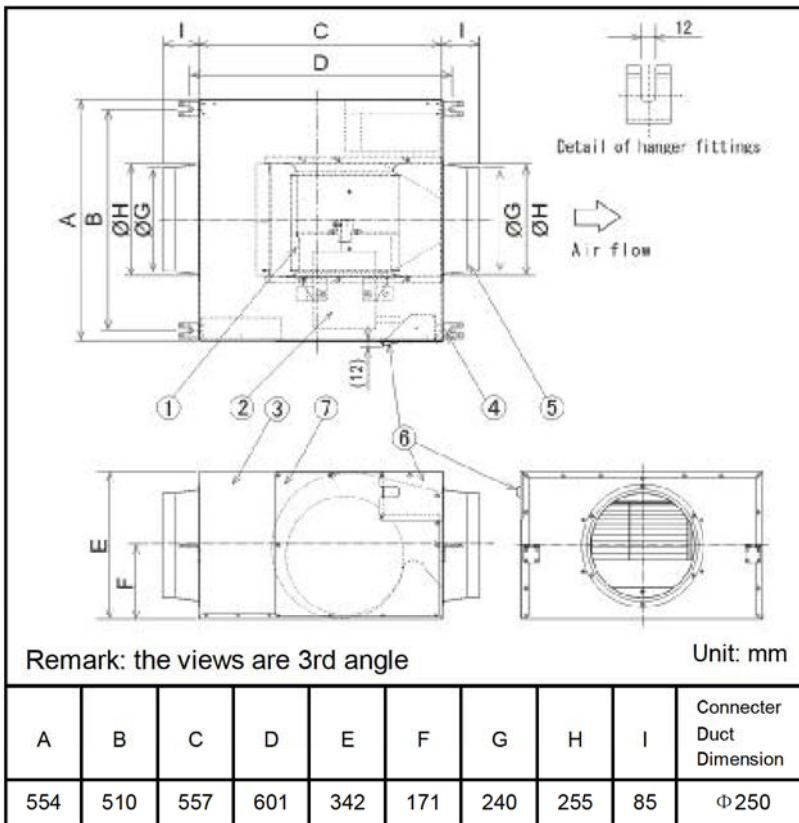




Specification Data Sheet

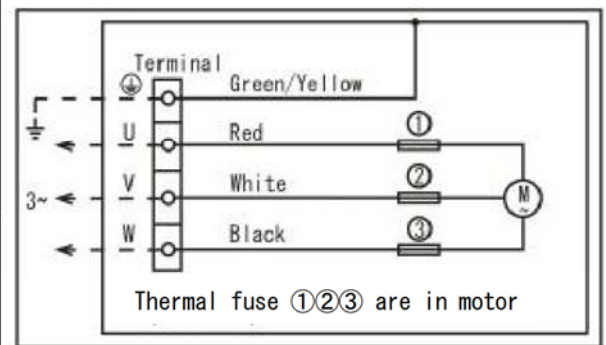
Dimension



Parts List

No.	Part name	Q'ty	Material
1	Impeller	1	Metal
2	Motor	1	—
3	Frame	1	Metal
4	Hanger fitting	4	Metal
5	Adapter	2	Metal
6	Terminal cover	1	Metal
7	Inspection panel	1	Metal

Wiring Diagram



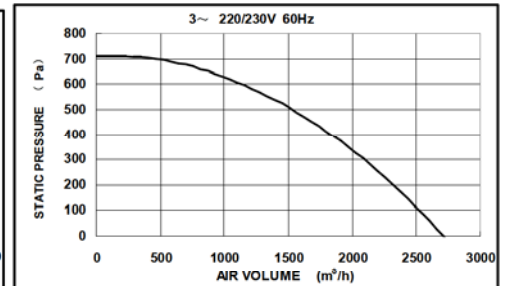
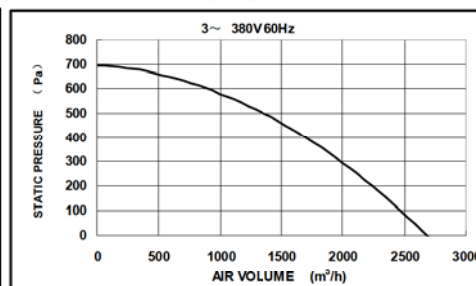
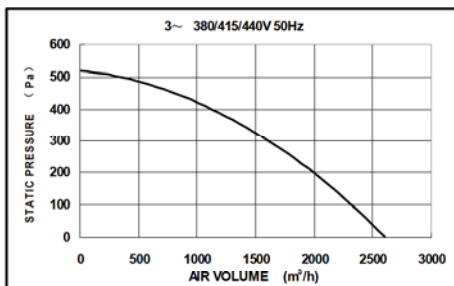
Specification

Power Rating V/Hz	3~ 380/50	3~ 415/50	3~ 440/50	3~ 380/60	3~ 220/60	3~ 230/60
Air Volume m ³ /h(±10%)	2600			2650	2700	
Static pressure Pa (≥90%)	520			700	710	
Noise Level dB(A) +3dB,-7dB	44			45	47	48
Consumption W(±15%)	600	650		840	960	
Current A (±15%)	1.2			1.6	3.0	
Net Weight kg	28					

Notes:

- ①The values of rated input, air volume and noise are specified at the static pressure of 0 Pa.
- ②The values of noise level is A weighted average sound pressure level, the mean value are measured by our company.
- ③The values of noise level are measured at the 1.5m apart from the side of the fan body when ducts are connected on both inlet and outlet side. It's on the assumption that the noise of fan body propagates to the room inside.

P-Q Curve

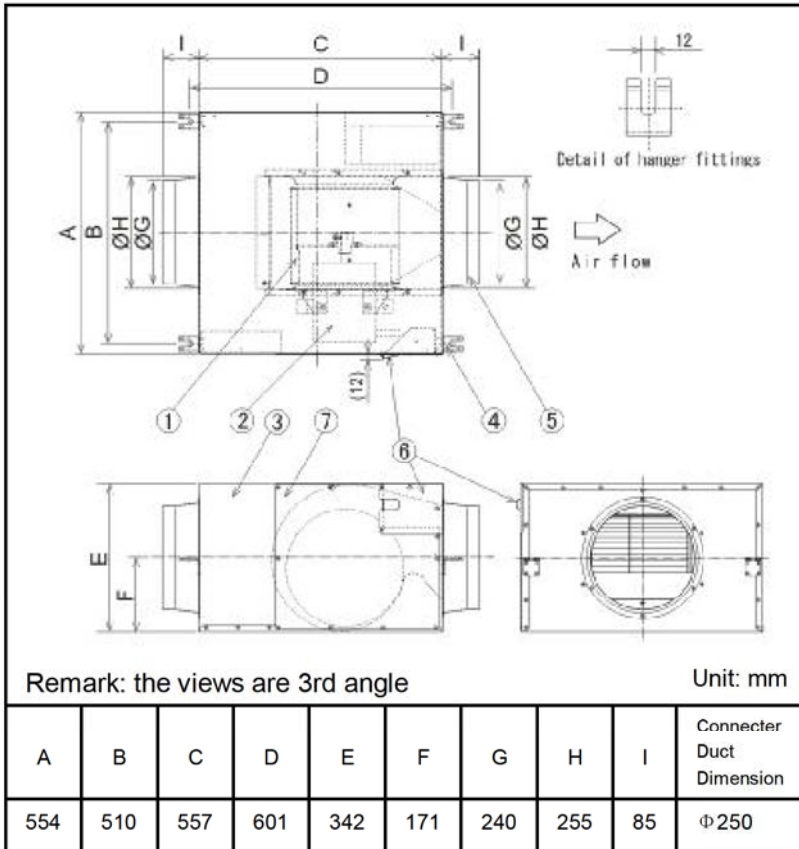


Product		Model	
CAB/F		28NXC	
Make Date	2011.05.10	Scale	Drawing No. CAB11005
Modification Date		Free	Modification No.
KDK Company, Division of PES			



Specification Data Sheet

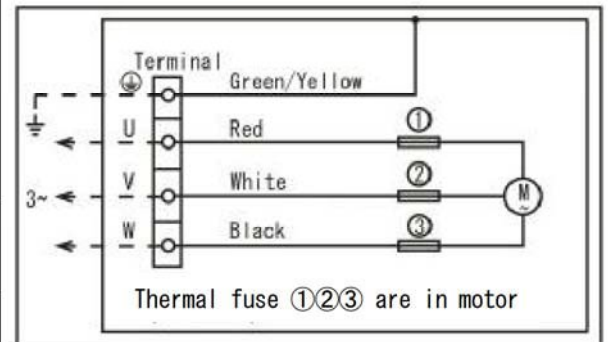
Dimension



Parts List

No.	Part name	Q'ty	Material
1	Impeller	1	Metal
2	Motor	1	—
3	Frame	1	Metal
4	Hanger fitting	4	Metal
5	Adapter	2	Metal
6	Terminal cover	1	Metal
7	Inspection panel	1	Metal

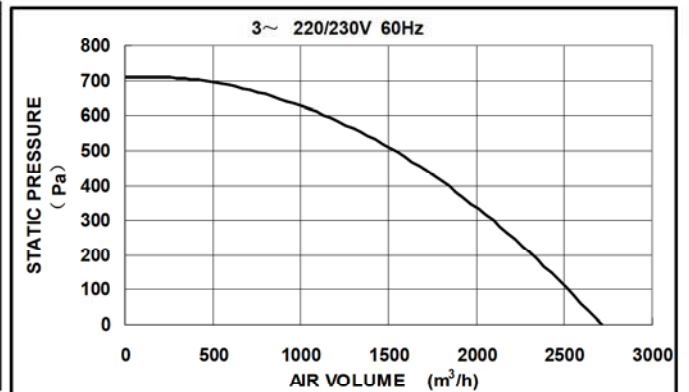
Wiring Diagram



Specification

Power Rating	V/Hz	3~ 220/60	3~ 230/60
Air Volume	m ³ /h(± 10%)	2700	
Static pressure	Pa (≥90%)	710	
Noise Level	dB(A) +3dB,-7dB	47	48
Consumption	W(± 15%)	960	
Current	A (± 15%)	3.0	
Net Weight	kg	28	

P-Q Curve



Notes:

- ①The values of rated input, air volume and noise are specified at the static pressure of 0 Pa.
- ②The values of noise level is A weighted average sound pressure level, the mean value are measured by our company.
- ③The values of noise level are measured at the 1.5m apart from the side of the fan body when ducts are connected on both inlet and outlet side. It's on the assumption that the noise of fan body propagates to the room inside.

Product		Model	
CAB/F		28NXC 22	
Make Date	2011.05.10	Scale	Drawing No. CAB11006
Modification Date		Free	Modification No.
KDK Company, Division of PES			