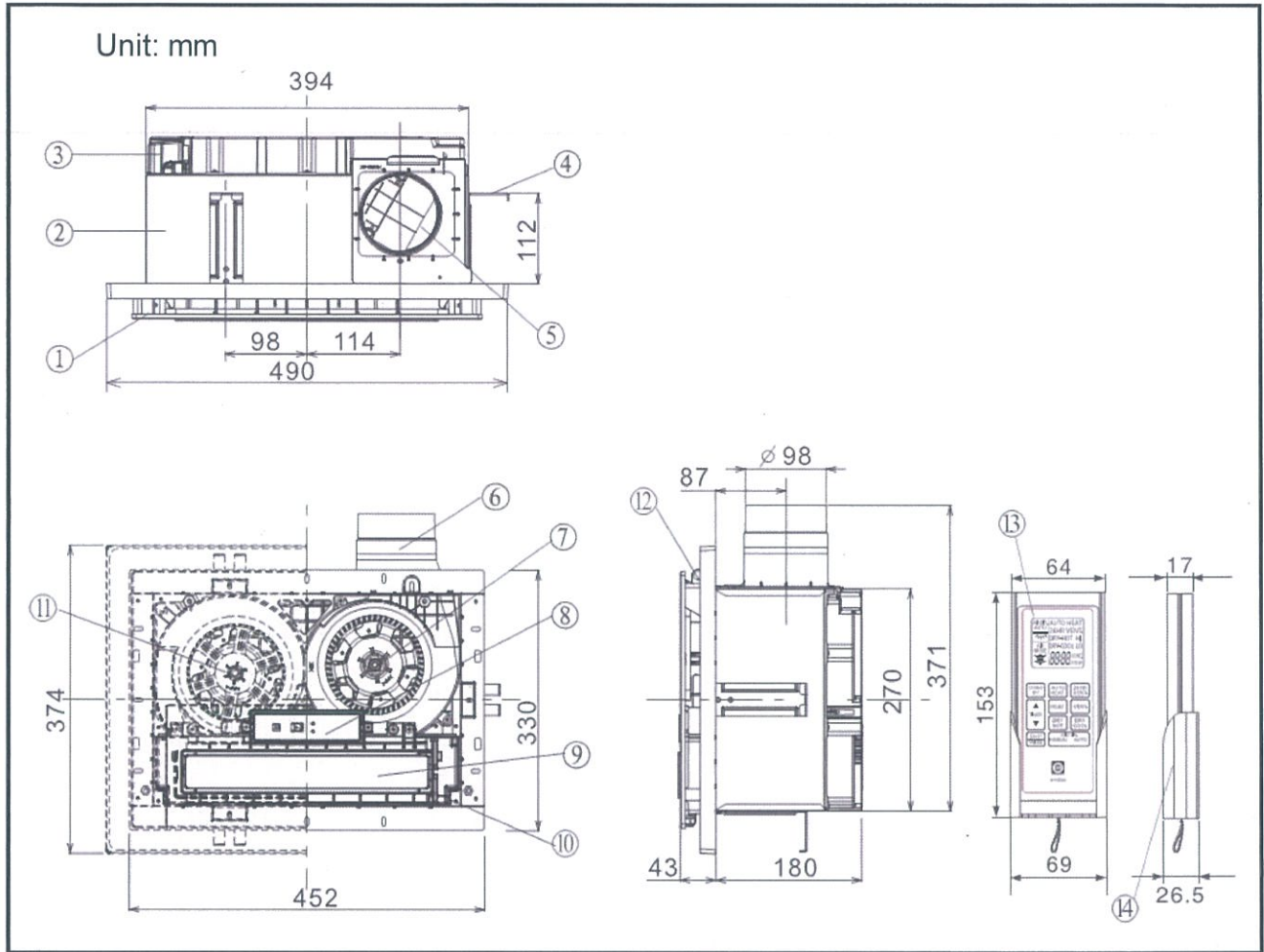


40BEBH Thermo Ventilator

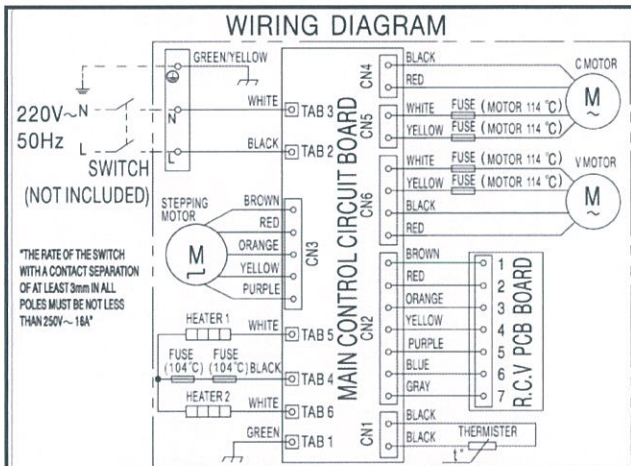
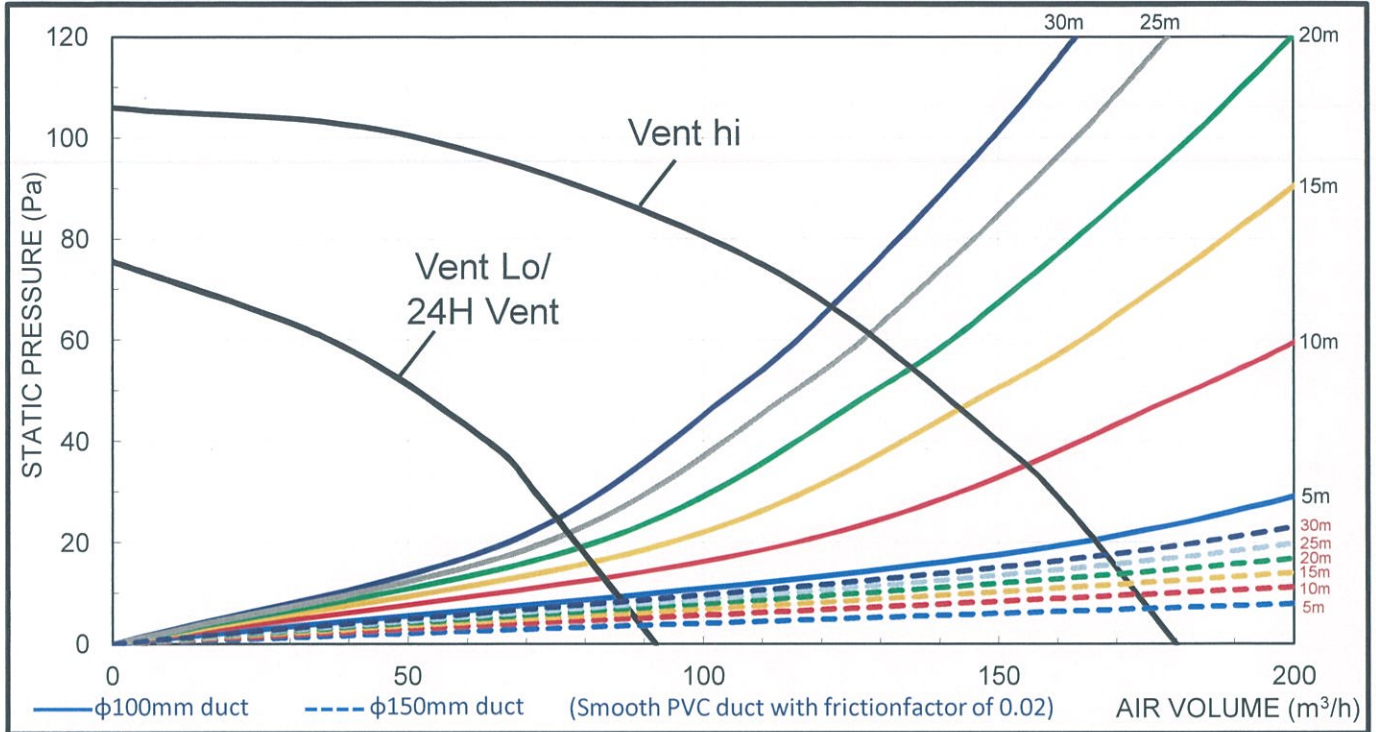


No.	PART NAME	No.	PART NAME
①	LOUVER	⑧	SIGNAL RECEIVER
②	MAIN BODY	⑨	BAFFLE PLATE
③	CORD COVER	⑩	HEATER
④	SUSPENSION BRACKET	⑪	CIRCULATION FAN
⑤	SHUTTER	⑫	AIR FILTER
⑥	ADAPTER	⑬	CONTROLLER
⑦	VENTILATION FAN	⑭	CONTROLLER HOLDER

Page		1/2	
Product		Model	
Thermo Ventilator		40BEBH	
Make Date	2013.6.7	Scale	Drawing No.
Modification Date	2015.8.21		Modification No.
KDK Company, Division of PES			



40BEBH Thermo Ventilator

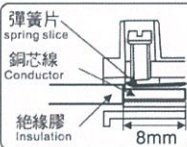


警告 WARNING



確保電源線安裝到位，否則可能會引起火災。
安裝和使用時禁止拆卸電路板蓋板，否則會導致觸電和起火！

CHECK THAT THE SUPPLY CONDUCTORS ARE CORRECTLY POSITIONED AND CONNECTED. IF NOT, FIRE MAYBE OCCUR. DO NOT REMOVE THE PCB COVER TO AVOID ELECTRIC SHOCK OR FIRE.

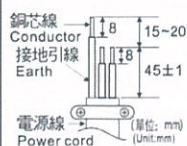


- 電源線的絕緣膠不能破損。
 - 銅芯線必須到達端子台的深處，並確保其在彈簧片的下方位置被全部插入接線孔。
- 電源線請選用60227 IEC 53型絞合軟線，導線的截面積為3x1.5mm²。

■ THERE'S NO RISK OF DAMAGE TO THE INSULATION OF CONDUCTORS.

■ CONDUCTORS OF THE POWER CORD MUST BE POSITIONED AND FIXED IN THE PILLAR TERMINAL FIRMLY, AND MAKE SURE THEY ARE ALL INSERTED INTO CONNECTION HOLE UNDER THE SPRING SLICE.

PLEASE SELECT 60227 IEC 53 ORDINARY POLYVINYL CHLORIDE SHEATHED CORD. NOMINAL CROSS-SECTIONAL AREA OF CONDUCTORS IS 3x1.5mm².



Model	FV-40BEBH			
Rated Voltage(v)	220			
Rated Frequency(Hz)	50			
Power Input(w)	Heat	Ventilation		Dry
		Hi	Lo(24H Vent)	
	2650	23	16	
Ventilation Air Volume (m3/h)±10%	Hi	Lo(24 Hour Vent)		
	180	90		
Circulation Air Volume (m3/h)±10%	170			
Max Static Pressure(Pa)	100			
Noise(dB) +3dB以下	Heat	Ventilation		Dry
		Hi	Lo(24H Vent)	
	45	35	24	45
Weight (Kg)	7.6			
Insulation Class	Class E			
Operating Condition	-10°C~40°C			
Insulation Resistance	>10 MΩ			
Electric Strength	AC1500V/1 MIN or AC1800V/1 SEC			
Electric Shock Protection	Class I (With Earthing)			
Water Proof	IPX2			
Motor Type	Capacitor start and run/ 4 pole			

Product		Page	
Thermo Ventilator		2/2	
Model		40BEBH	
Make Date	2013.6.7	Scale	Drawing No.
Modification Date	2015.8.21		Modification No.
KDK Company, Division of PES			