

## 1. Scope of application

The Product Specification is applicable for Remocon of ERV sold to Saudi Arabia which is produced by PESESGD-BJ.

## 2. Target model

KDK Model	Applicable Model
EB90SA	E25DZUA、 E35DZUA、 E50DZUA

## 3. Specification

Item	Contents (common)
Rated Voltage	Single Phase 220V
Rated Frequency	60 Hz
Supply Voltage	Rated Voltage $\pm 10\%$
Operating Conditions	Temperature: -10~50 °C    Relative humidity: below 85% RH
Storage Conditions	Temperature: -10~60 °C    Relative humidity: 30~85% RH
Product Outline	Detailed in Product specifications
Performance Table	Detailed in Product specifications
Electrical Schematics	Detailed in Product specifications
Printed Matter	Detailed in Prints pasted sketch map and Prints patterns
Accessories and printings	Installation instruction and operation instruction :1 book Screws: 2 sets
Package	Detailed in schematic view of the package

## 4. Applicable technical regulations

Switches for household and similar fixed-electrical installation-Part 1:General requirement.(IEC60669-1)

Household and similar electrical appliance – safety – Part1:General requirement.( IEC60335-1)

Electromagnetic compatibility – Requirements for household appliances,electric tool and similar apparatus-part 2:Anti-interference.Product series standard. (CISPR 14-2)

## 5. Performance

Item	Contents(common)
Rate Power	Within $\pm 10\%$ of the Indicated value
Start Performance	No abnormality
Abnormal voltage performance	No abnormality
Withstanding Voltage	No abnormality
Electromagnetic compatibility and anti-interference	No abnormality

### Notes:

- Test methods performed in accordance with the IEC.  
Household and similar electrical appliance – safety – Part1:General requirements.( IEC60335-1 )

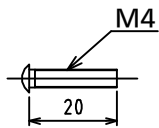
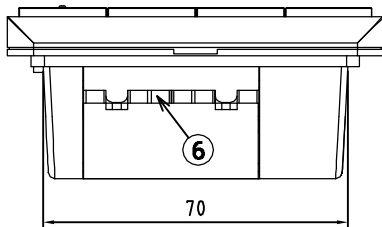
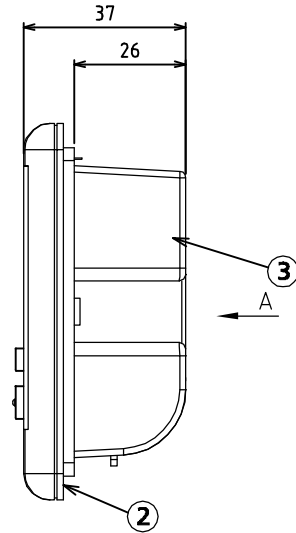
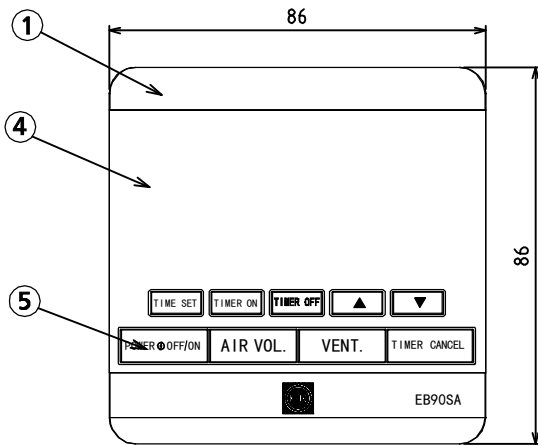
## 6. Construction & Materials

Detailed in Product specifications

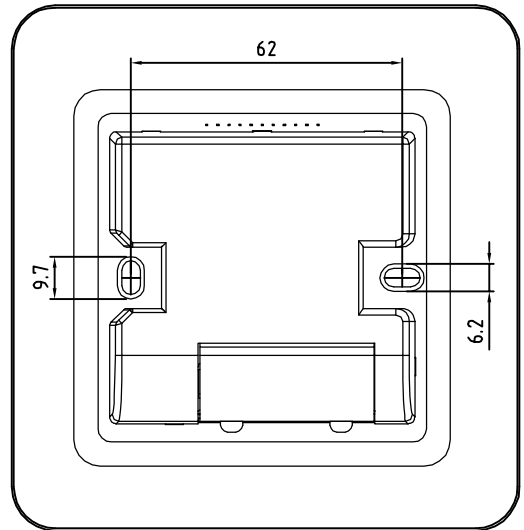
## 7. Other

- The product is sold in Saudi Arabia.
- Quality improvement or cost reduction leads to manufacturing conditions change, It needs to acquire prior recognition 2 months before change.
- On the name plate and packaging,the product number is stamped as follows.
- For example: Produced in March 2015, the first set→15030001 ( YYMM0001~ YYMM9999 )

UNIT:mm



Adjunct	Spec	Q'ty
SCREWS	M4X10	2



A detail

- 1.The outer dimension for junction box is 100×100.
- 2.Connect by using the hard wire with diameter1.5mm<sup>2</sup>.

No.	Part name	Q'ty	Material	Remarks
①	Front panel	1	ABS757	
②	Middle panel	1	ABS757	
③	Back panel	1	PP RP340N	
④	PC wafer	1	PC	Black
⑤	Key		Rubber	
⑥	Terminal Block			

Specification

Power supply	Rate power (W)	Weight (Kg)
220V~ 60Hz	3.6	0.3

- 1.During connecting the power with ERV,use the specified electric wire and connect refer to the label in the terminal block.
- 2.Make the mark at one end of electric wire for inspection in the routine maintenance.
- 3.When installing, be sure to avoid the stand, frame and pilar within the wall.

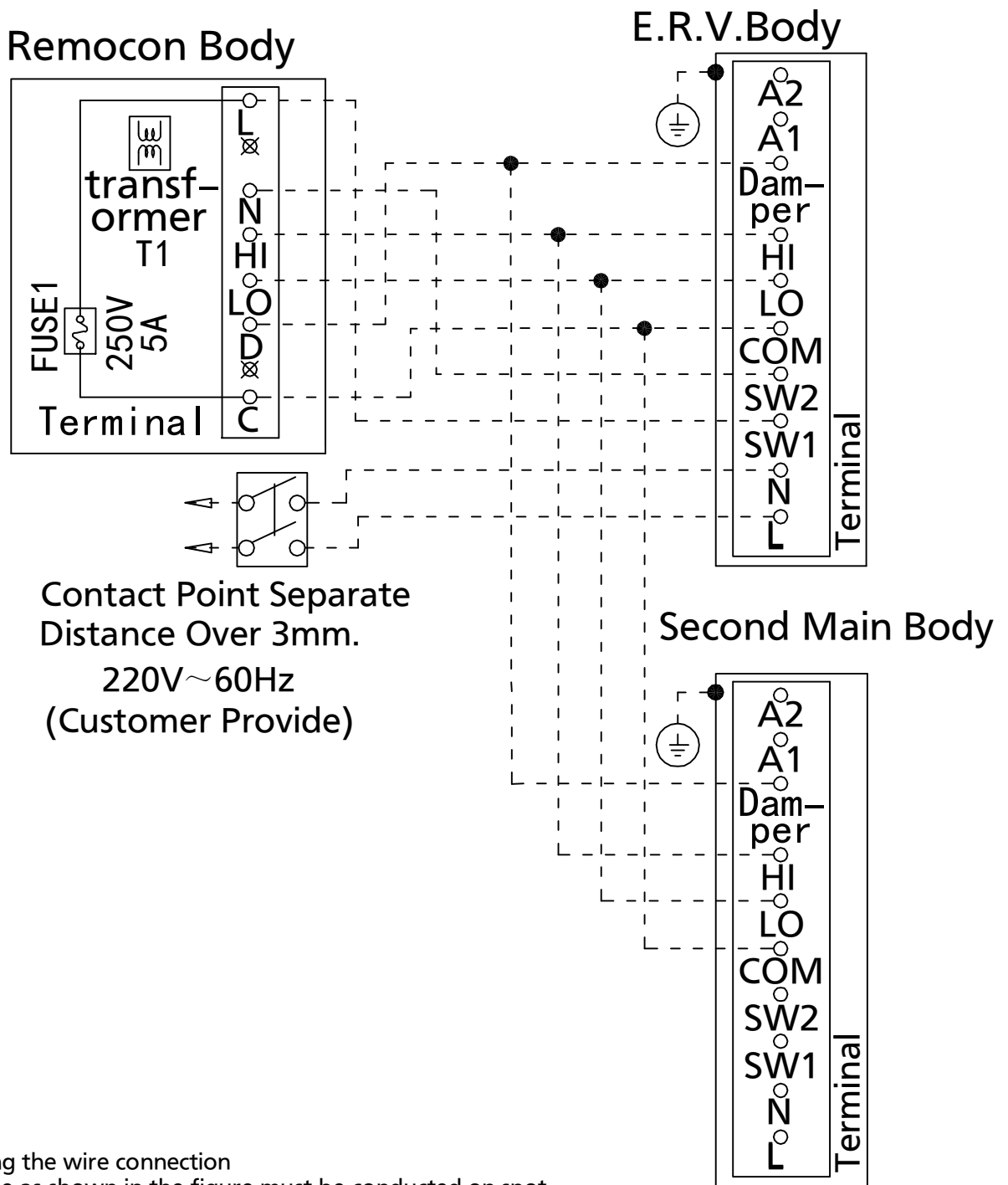
Name				Model No.	
Energy Recovery Ventilator Remocon				EB90SA	
Date of Made	2015.12.16	Scale	Drawing	Rev.No.	
Date of Revision		Free	Reference No.		

This product specification is made on 2015.12.16, and further notice will be sent if any change.

KDK Company, Division of PES

# Wiring Diagram

Connect EB90SA with DZUA series



## Precautions during the wire connection

1. The dashed line as shown in the figure must be conducted on spot by construction personnel.
2. Be sure to cut off the breaker before wire connection.
3. It's recommended to use the wire (hard wire) connected power supply cord with switch, its rate voltage is 300/500V as specified in 60227IEC10. Nominal cross-section for each core wire is 1.5mm<sup>2</sup>.
4. When several units operating, (the number of unit not exceed 2). It may cause the fire owing to over load.
5. Wear the protective tools in construction such as gloves.
6. After completion, be sure to firmly fix the back cover to the base.
7. Read the Installation Instruction carefully before wire connection.

Name				Model No.	
Energy Recovery Ventilator Remocon				EB90SA	
Date of Made	2015.12.23	Scale	Drawing	Rev.No.	
Date of Revision		Free	Reference No.		

This product specification is made on 2015.4.07, and further notice will be sent if any change.

KDK Company, Division of PES