

Specifications
Mini Sirocco Fan

MODEL No. : K14CG1

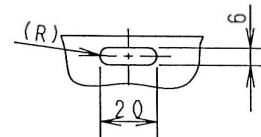
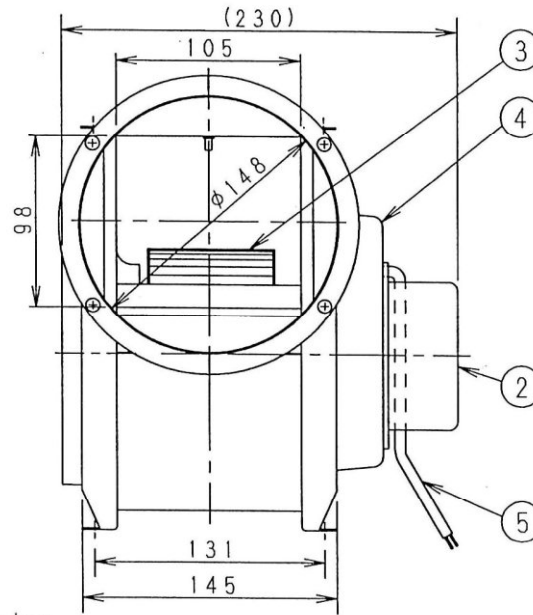
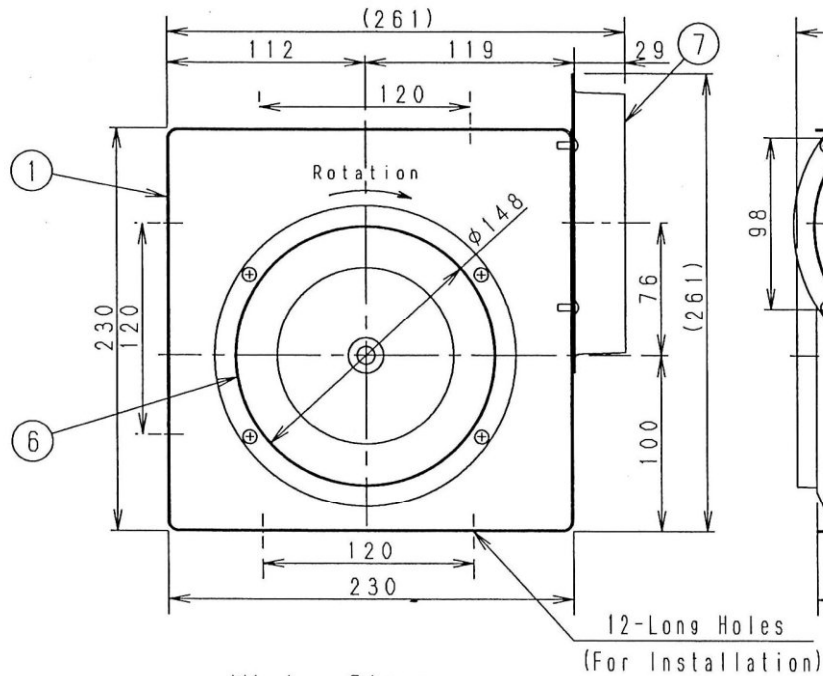
1. GENERAL : This fan is designed based on JIS for using air conditioned, ventilation and exhaust fan covered a wide field. (JIS : Japanese Industrial Standard)

2. SPECIFICATIONS

Source (Phase)			1Ø	
Rated Volt (V)			220 ~ 240 (NET)	
Tested Volt (V)			230	
Frequency			50Hz	60Hz
Input (W)	±15%		30	40
Operating Current (A)	±15%		0.16	0.18
Starting Current (A)	±15%		0.25	0.24
Fan Speed (min ⁻¹)	±10%		930	870
Air Volume (m ³ /h)	±10%		308	284
Sound Level Less than +3dB (dB(A))	Inlet		44.5	41.5
	Side		39	36
	Outlet		44.5	41.5
Net Weight (kg)			3.8	
Color			Zinc galvanized steel sheet	
Time Rating			Continuous	
Type of Motor			4Poles Totally Enclosed Single Phase Induction Motor	
Insulation Class			E	
Temp.Rise of Coil			Less than 75K	
Ambient Temp.			-10°C ~ 40°C	
Ambient Humid			Less than 85%	
Insulation Resistance			More than 1MΩ	
Dielectric Strength			AC 1,500V 1 minute	
Bearing Size			608ZZ	
Recommended Power Supply Cord			Polyvinyl chloride insulated cables	

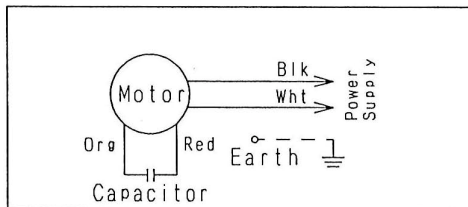
3. REMARKS:
1. The values indicated above such as input, current and speed are in the free load condition.
 2. The values of air volume are measured at 0Pa in static pressure on JIS C 9603
 3. The values of noise level measured at the point of the fan as follows:
 Inlet side ... 1.5m far from the inlet of the fan.
 Side of fan body ... 1.5m far along side of the fan body.
 Outlet side ... 1.5m far abreque point from the outlet of the fan.
 4. Applicable duct size : Nominal Diameter Ø150
 5. Do not use this unit in outdoor.
 6. Fix the unit firmly when installing before actual operation.
 7. In order to prevent from the accident of electric shock, make earthing without any fail.
 8. Provide an electric leakage breaker or motor breaker at the side of power supply.

Dimension (mm)



Detail of Long Holes

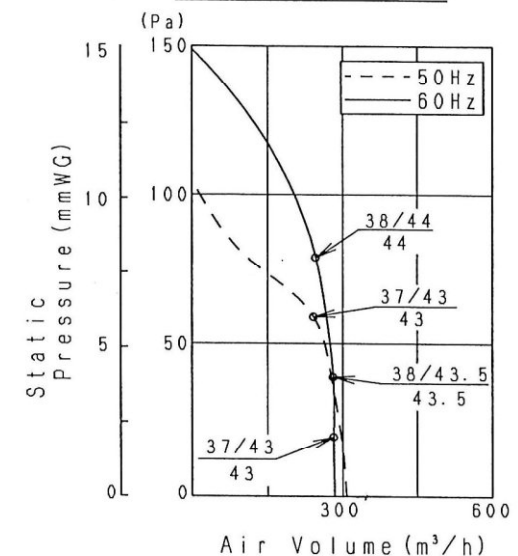
Wiring Diagram



Parts List

No.	Description	Q'ty	Material
1	Casing	1	SGCC
2	Motor	1	
3	Impeller	1	SGCC
4	Motor Support	1	SGCC
5	Power Supply Cord	1	Effective Length 600mm
6	Inlet Flange	1	SGCC
7	Outlet Flange	1	SGCC

Performance Curve



The values shown on performance curve mean the sound level (dB(A)) at each point as follows.
 Side of Fan Body / Inlet side
 Outlet side

Model No.	K14CG1
Description	Mini Sirocco Fan