

Specifications
Mini Sirocco Fan

MODEL No. : K21CG1

1. GENERAL : This fan is designed based on JIS for using air conditioned, ventilation and exhaust fan covered a wide field. (JIS : Japanese Industrial Standard)

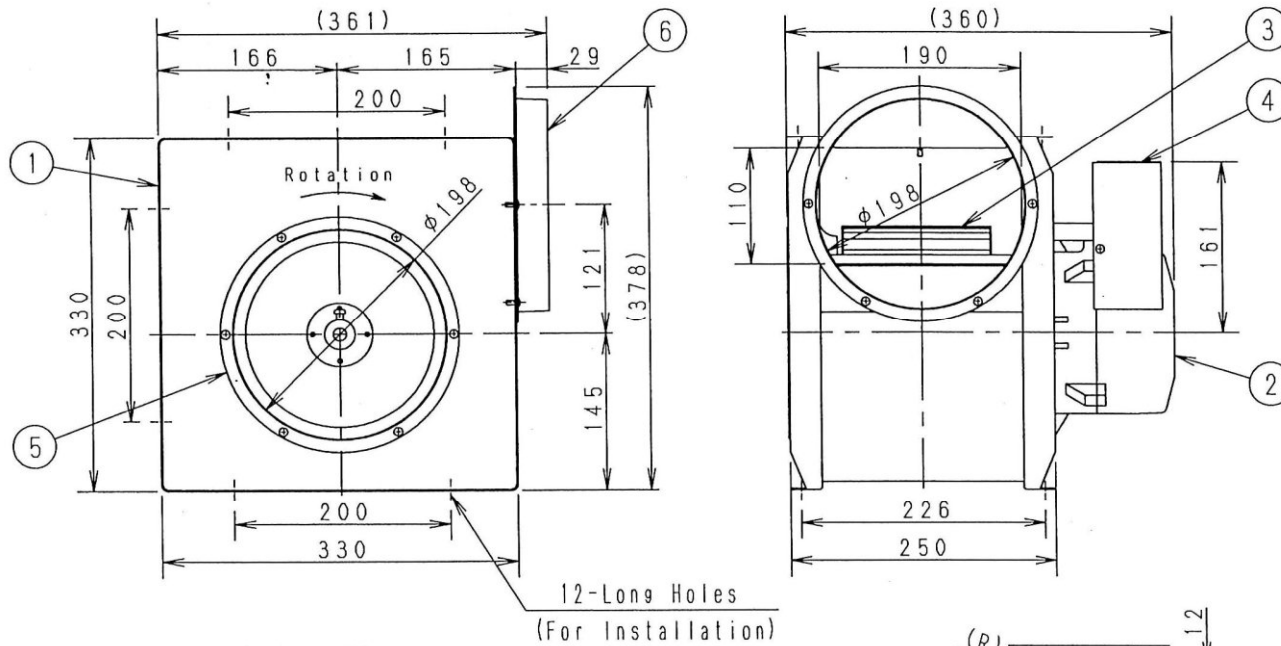
2. SPECIFICATIONS

〈 〉 : Low-notch

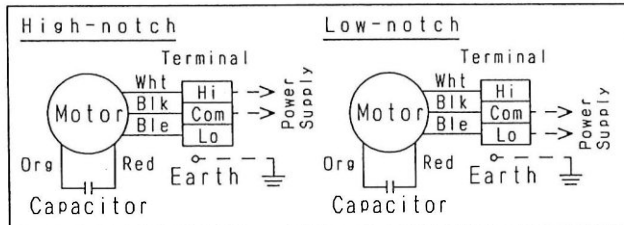
Source (Phase)	1∅		
Rated Volt (V)	220 ~ 240 (NET)		
Tested Volt (V)	230		
Frequency	50Hz		60Hz
Input (W)	±10%	240 〈 220 〉	340 〈 300 〉
Operating Current (A)	±10%	1.06 〈 0.98 〉	1.50 〈 1.33 〉
Starting Current (A)	±10%	3.49 〈 2.48 〉	3.26 〈 2.30 〉
Fan Speed (min ⁻¹)	±10%	1,325 〈 1,230 〉	1,430 〈 1,180 〉
Air Volume (m ³ /h)	±10%	1,420 〈 1,260 〉	1,540 〈 1,230 〉
Sound Level Less than +3dB (dB(A))	Inlet	61 〈 59.5 〉	63 〈 58.5 〉
	Side	57 〈 56 〉	59 〈 54 〉
	Outlet	61 〈 59.5 〉	63 〈 58.5 〉
Net Weight (kg)	15.0		
Color	Zinc galvanized steel sheet		
Time Rating	Continuous		
Type of Motor	4Poles Totally Enclosed Single Phase Induction Motor		
Insulation Class	E		
Temp.Rise of Coil	Less than 75K		
Ambient Temp.	-10°C ~ 40°C		
Ambient Humid	Less than 85%		
Insulation Resistance	More than 1MΩ		
Dielectric Strength	AC 1,500V 1 minute		
Bearing Size	6202ZZ		
Recommended Power Supply Cord	VVF ∅1.6mm or ∅2.0mm		

3. REMARKS:
1. The values indicated above such as input, current and speed are in the free load condition.
 2. The values of air volume are measured at 0Pa in static pressure on JIS C 9603
 3. The values of noise level measured at the point of the fan as follows:
 Inlet side ... 1.5m far from the inlet of the fan.
 Side of fan body ... 1.5m far along side of the fan body.
 Outlet side ... 1.5m far abreque point from the outlet of the fan.
 4. Applicable duct size : Nominal Diameter ∅200
 5. Do not use this unit in outdoor.
 6. Fix the unit firmly when installing before actual operation.
 7. In order to prevent from the accident of electric shock, make earthing without any fail.
 8. Provide an electric leakage breaker or motor breaker at the side of power supply.

Dimension (mm)

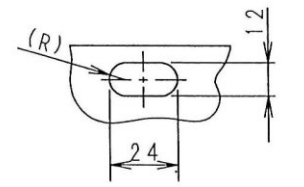


Wiring Diagram



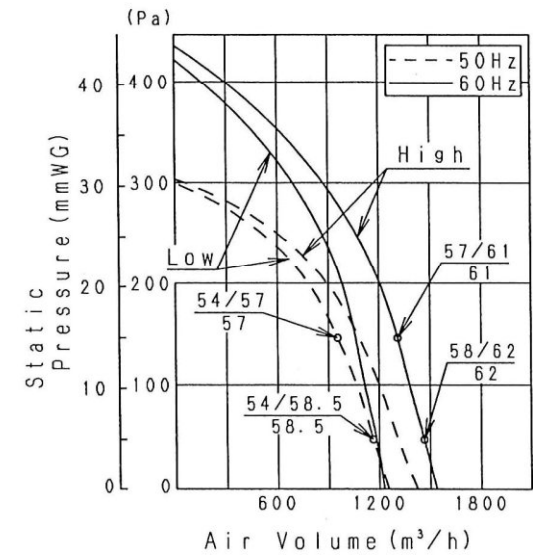
Parts List

No.	Description	Q'ty	Material
1	Casing	1	SGCC
2	Motor	1	
3	Impeller	1	SGCC
4	Motor Support	1	SGCC
5	Terminal Cover	1	SGCC
6	Inlet Flange	1	SGCC
7	Outlet Flange	1	SGCC



Detail of Long Holes

Performance Curve



The values shown on performance curve mean the sound level (dB(A)) at each point as follows.

Side of Fan Body / Inlet side
Outlet side

Model No.	K21CG1
Description	Mini Sirocco Fan