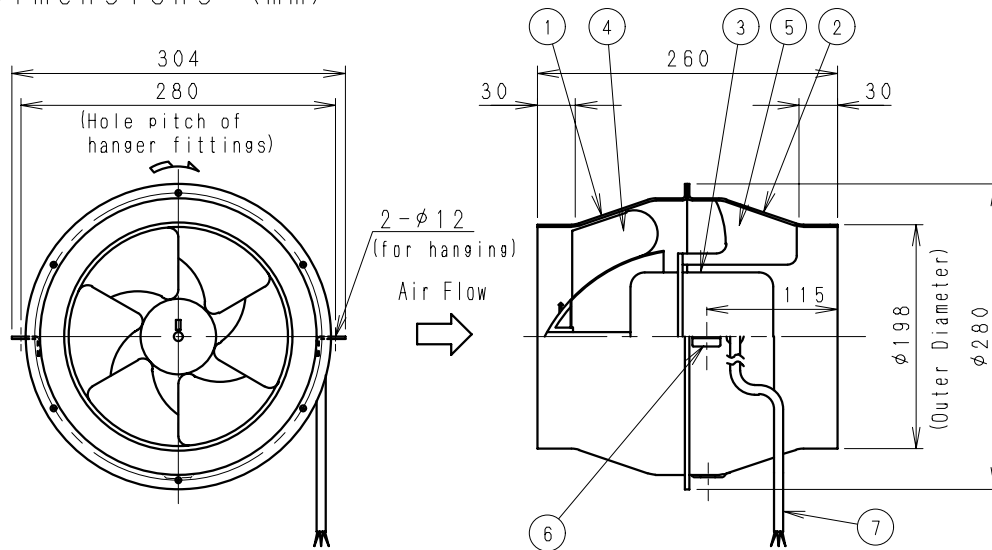
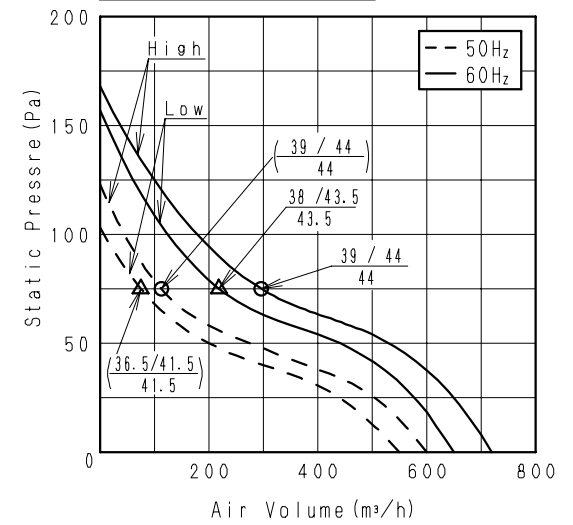


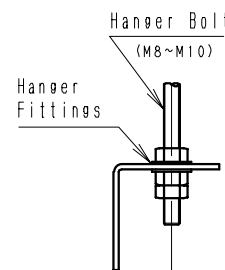
Dimensions (mm)



Performance Curve



Detail of hanger fittings



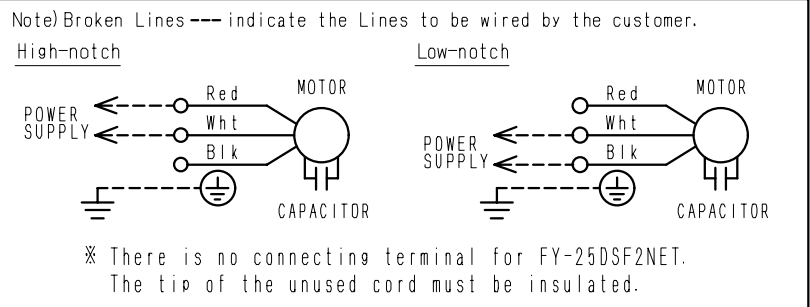
Sample of Ceiling Mount

The values shown on performance curve mean the sound level (dB(A)) at each point as follows.
 The values in () mean the one in the case of 50Hz.
Side of Fan Body / Inlet side
Outlet side

Parts List

No.	Description	Q'ty	Material
1	Casing (A)	1	Steel
2	Casing (B)	1	Steel
3	Motor	1	
4	Wheel	1	Aluminum
5	Guide Vanes	4	Steel
6	Hanger Fittings	2	Steel
7	Power Supply Cord	1	Effective Length 900mm

Wiring Diagram



DESCRIPTION		MODEL No.	
Compact Axial Flow Fan (No. 2)		K25DSF2NET	
ISSUED DATE	Sep. 27, 2013	DRAWING No.	REV. No.
REVISION			
KDK Company, Division of PES			0