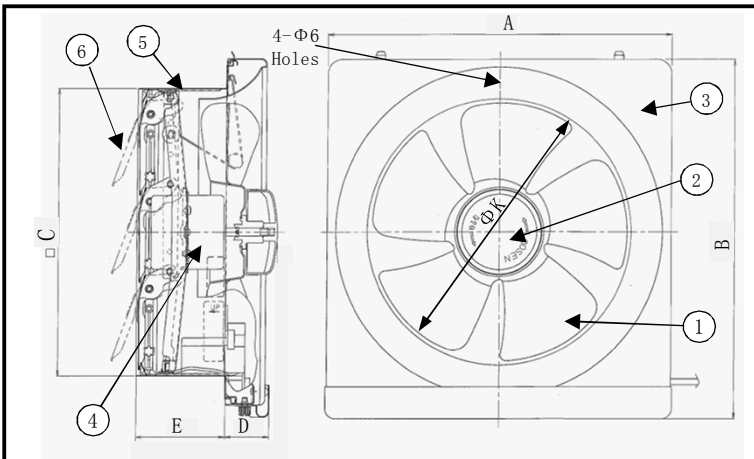


Dimension Diagram

Unit: mm



| Model | A | B | C | D | E | K | Installation Size |
|----------|-----|-----|-----|----|----|-----|-------------------|
| 20ASB | 300 | 312 | 240 | 50 | 90 | 200 | □ 250 |
| 20ASB 05 | | | | | | | |

(A)

※ The dimension have tolerance in actual assembly.

Main Part List

| No. | Part Name | Material |
|-----|-----------|----------|
| ① | Blade | Metal |
| ② | Spinner | Metal |
| ③ | Orifice | Metal |
| ④ | Motor | - |
| ⑤ | Frame | Metal |
| ⑥ | Shutter | Metal |

AMCA License



KDK Company, Division of PES and Panasonic Ecology Systems Guangdong Co., Ltd. certify that the wall mount ventilating fan 20ASB/20ASB 05 shown herein are licensed to bear the AMCA seal. The ratings shown are based on tests and procedures performed in accordance with AMCA Publication 211 and AMCA Publication 311 and comply with the requirements of the AMCA Certified Ratings Program. (A)

Specification

| Model | Voltage | Frequency | CFM/SONE at static pressure(ps-inches of H ₂ O) | | | RPM | Watts* | Watts** | |
|----------|---------|-----------|--|-----|-------|-----|--------|---------|------|
| | | | inches of H ₂ O | 0 | 0.025 | | | | 0.05 |
| 20ASB | 220V | 60Hz | CFM | 330 | 259 | 183 | 1358 | 25.5 | 21.5 |
| | | | Sones | 1.7 | 1.9 | 3.9 | | | |
| | 240V | 50Hz | CFM | 296 | 198 | 151 | 1252 | 22.4 | 19.5 |
| | | | Sones | 1.5 | 1.7 | 3.2 | | | |
| 20ASB 05 | 240V | 50Hz | CFM | 296 | 198 | 151 | 1252 | 22.4 | 19.5 |
| | | | Sones | 1.5 | 1.7 | 3.2 | | | |

Performance certified is for installation type A: Free inlet , Free outlet.

Performance ratings include the effects of a backdraft damper.

The speed (RPM) and Watts rating shown are at the static pressure of 0 inch of H₂O.

The sound ratings shown are loudness values in fan sones at 5 ft. (1.5m) in a hemispherical free field calculated per AMCA International Standard 301. Values shown are for installation type A: Free inlet hemispherical sone levels.

* the Watts rating is only for AMCA test method and it is at the static pressure of 0 inch of H₂O.

** the Watts rating is only for IEC test method and the AMCA Certified Ratings Seal does not apply to IEC test method watts.

| Product | | | Model | |
|------------------------------|------------|-------|------------------|----------|
| Wall Mount Ventilating Fan | | | 20ASB (AMCA) | |
| Make Date | 2015.10.30 | Scale | Drawing No. | VF15007 |
| Modification Date | 2016.02.02 | FREE | Modification No. | VF15007A |
| KDK Company, Division of PES | | | | |

(A)