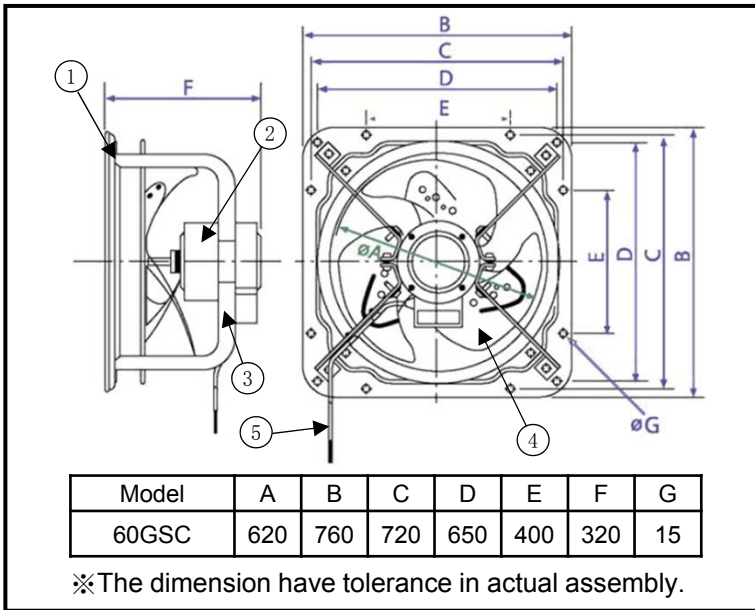





# Specification Data Sheet

Unit: mm



| No. | Part Name     | Material |
|-----|---------------|----------|
| ①   | Frame         | Metal    |
| ②   | Motor         | Metal    |
| ③   | Motor support | Metal    |
| ④   | Blade         | Metal    |
| ⑤   | Power cord    | —        |

## AMCA License



KDK Company, Division of PES and Panasonic Ecology Systems Co., Ltd. certify that the Industrial series models shown herein are licensed to bear the AMCA seal. The ratings shown are based on the tests and procedures performed in accordance with AMCA Publication 211 and AMCA Publication 311 and comply with the requirements of the AMCA Certified Ratings Program.

## Specification

| Model | Voltage | Frequency | CFM/SONE at static pressure(ps-inches of H <sub>2</sub> O) |      |      |      | RPM  | Watts* | Watts** |     |
|-------|---------|-----------|--|------|------|------|------|--------|---------|-----|
|       |         |           | inches of H <sub>2</sub> O                                 | 0    | 0.2  | 0.3  |      |        |         | 0.4 |
| 60GSC | 220V    | 60Hz      | CFM  | 5038 | 4349 | 3943 | 3560 | 1088   | 384     | 361 |
|       |         |           | Sones  | 10.1 | 9.8  | 9.5  | 10.1 |        |         |     |
|       | 240V    | 50Hz      | CFM  | 4402 | 3855 | 3366 | 2972 | 980    | 289     | 263 |
|       |         |           | Sones  | 10.3 | 8.6  | 8.5  | 11.5 |        |         |     |

Performance certified is for installation type A: Free inlet , Free outlet.

The speed (RPM) and Watts rating shown are at the static pressure of 0 inch of H<sub>2</sub>O.

The sound ratings shown are loudness values in fan sones at 5 ft. (1.5m) in a hemispherical free field calculated per AMCA International Standard 301. Values shown are for installation type A: Free inlet hemispherical sone levels.

\* the Watts rating is only for AMCA test method and it is at the static pressure of 0 inch of H<sub>2</sub>O.

\*\* the Watts rating is only for IEC test method and the AMCA Certified Ratings Seal does not apply to IEC test method watts.

| Product                      |            |       | Model            |   |
|------------------------------|------------|-------|------------------|---|
| Industrial Ventilating Fan   |            |       | 60GSC (AMCA)     |   |
| Make Date                    | 2015.01.05 | Scale | Drawing No.      | — |
| Modification Date            |            |       | Modification No. |   |
| KDK Company, Division of PES |            |       |                  |   |