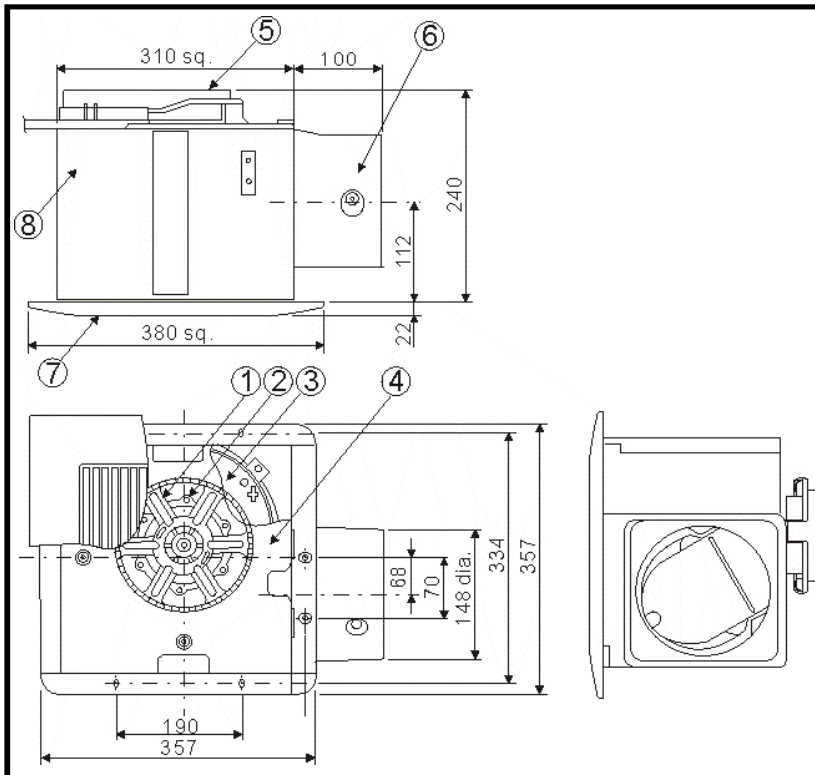




Dimension

Unit: mm



Part list

No.	Part name	Q'ty	Material
①	Blade	1	Plastic
②	Motor	1	Metal
③	Casing	1	Plastic
④	Double Orifice	1	Plastic
⑤	Wire Cover	1	Plastic
⑥	Adaptor	1	Metal
⑦	Louver	1	Plastic
⑧	Frame	1	Metal

AMCA License



KDK Company, Division of PES and Panasonic Ecology Systems Guangdong Co., Ltd. certify that the Super Quiet Series models shown herein are licensed to bear the AMCA Seal. The ratings shown are based on tests and procedures performed in accordance with AMCA Publication 211 and AMCA Publication 311 and comply with the requirements of the AMCA Certified Ratings Program.

Specification

Model	Voltage	Frequency	Speed	CFM/SONE AT STATIC Pressure (ps-inches of H ₂ O)								RPM	Watts*	Watts**
				inches of H ₂ O	0	0.1	0.125	0.250	0.375	0.5	0.625			
32CDH	240V	50Hz	Hi	CFM	257	236	230	192	147	99	53	675	56	50
				Sones	1.6	1.6	1.6	1.9	2.5	3.0	3.6			

Performance certified is for installation type B: Free inlet, Duct outlet. Performance ratings include the effects of an inlet grille and back draft damper. Speed (RPM) shown is nominal. Performance is based on actual speed of test. The sound ratings shown are loudness values in fan sones at 5 ft (1.5m) in a hemispherical free field calculated per AMCA International Standard 301. Values shown are for installation type B: free inlet hemispherical sone levels.

*the Watts rating is only for AMCA test method and it is at the static pressure of 0 inch of H₂O.

**the Watts rating is only for IEC test method and the AMCA Certified Ratings Seal does not apply to IEC test method watts.

Product				Model			
CMVF				32CDH (AMCA)			
Make Date	2016.1.4	Scale	Drawing No.	CMV 16004			
Modification Date			Modification No.				
KDK Company, Division of PES							